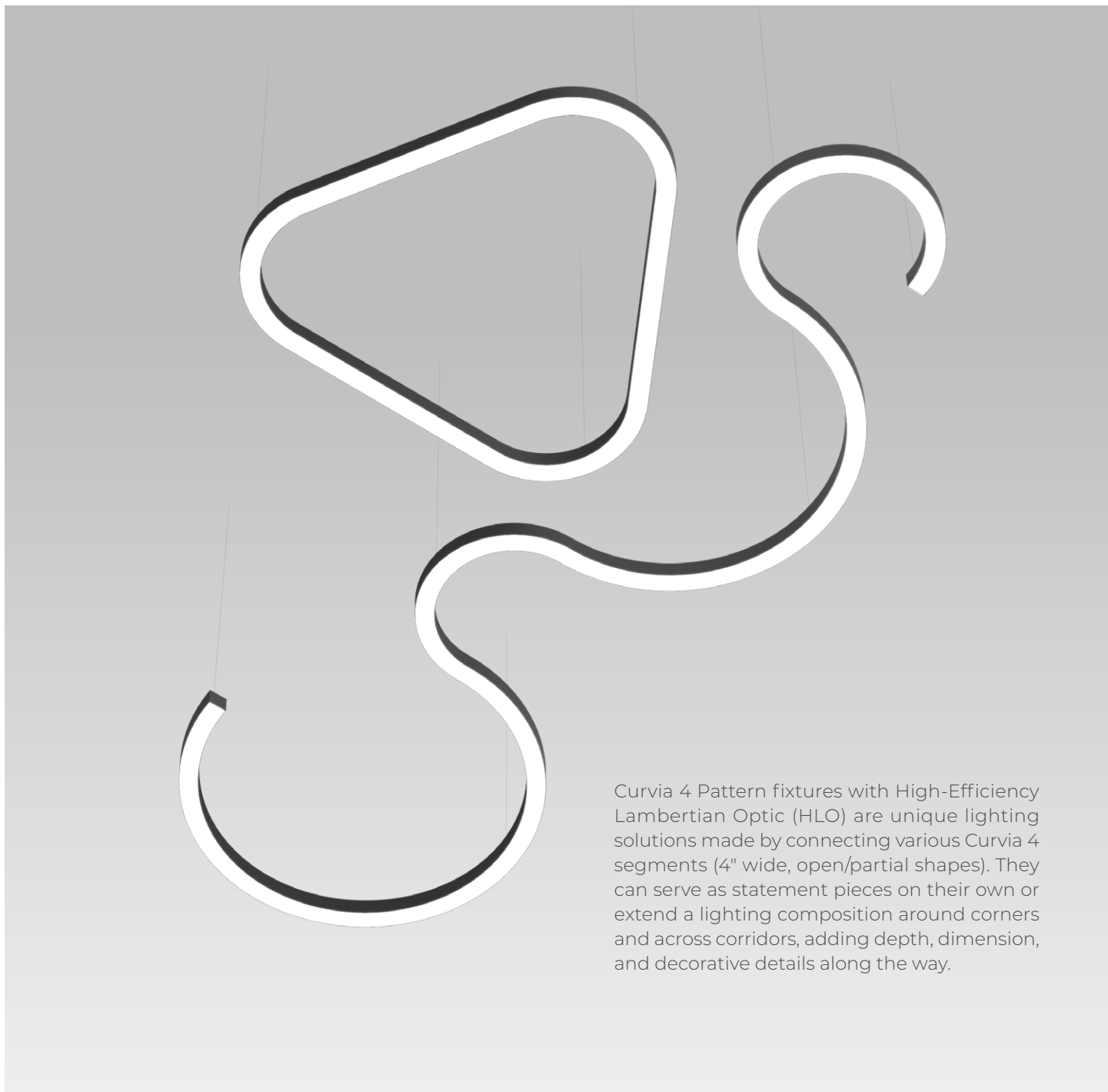


CURVIA 4

PATTERN

PENDANT - SURFACE - RECESSED

LUMENWERX



Curvia 4 Pattern fixtures with High-Efficiency Lambertian Optic (HLO) are unique lighting solutions made by connecting various Curvia 4 segments (4" wide, open/partial shapes). They can serve as statement pieces on their own or extend a lighting composition around corners and across corridors, adding depth, dimension, and decorative details along the way.

Curvia Family (Refer to other spec sheets)

Curvia Mini



Ring
1"

Curvia 2 Prism



Ring
2"
Shapes
Square / Rectangle / Capsule
2"

Curvia 2, 3, 4



Ring
2" / 3" / 4"
Shapes
Square / Rectangle / Capsule
2" / 3" / 4"
Pattern
2" / 3" / 4"

SENSORS
For latest
information
on sensors,
click [here](#).



CURVIA 4

PATTERN

PENDANT - SURFACE - RECESSED



LUMENWERX

Project: _____
 Type: _____

Order Guide

A drawing of your pattern is required - anything from a line drawing to an architectural drawing. You can also use the template on page 3 to sketch your pattern.

LUMINAIRE ID	DISTRIBUTION	DIRECT OPTIC	INDIRECT OPTIC Specify NA for Direct fixture	LIGHT SOURCE ²	CRI
		HLO			
CURV4PPAT - Curvia 4" Pendant Pattern CURV4SPAT - Curvia 4" Surface Pattern CURV4RPAT - Curvia 4" Recessed Pattern	DI ¹ - Direct/ Indirect D - Direct ¹ Available for Pendant mounting only	HLO - High-Efficiency Lambertian Optic	HLO - High-Efficiency Lambertian Optic NA - Not applicable	SW - Static white FS - Full spectrum ² Chromawerx Sola and Duo also available. Consult factory.	80CRI ³ - 80 CRI 90CRI ³ - 90 CRI 95CRI ⁴ - 95 CRI ³ Not available with full spectrum. ⁴ Not available with static white.

DIRECT LUMEN PACKAGE	INDIRECT LUMEN PACKAGE Specify NA for Direct fixture	COLOR TEMP.	TOTAL PATTERN LENGTH	CURVED SEGMENTS ⁷
350LMF - Eco low output 350 lm/ft 500LMF - Low output 500 lm/ft 750LMF - Medium output 750 lm/ft 1000LMF ⁵ - High output 1000 lm/ft 1200LMF ⁵ - Ultra high output 1200 lm/ft ⁵ Not available with full spectrum.	350LMF - Eco low output 350 lm/ft 500LMF - Low output 500 lm/ft 750LMF - Medium output 750 lm/ft 1000LMF ⁶ - High output 1000 lm/ft NA - Not applicable ⁶ Not available with full spectrum.	27K - 2700K 30K - 3000K 35K - 3500K 40K - 4000K	#FT#IN - Specify total pattern length (#) in 1' and/or 1" increments	Qty ⁸ R12A45 - 12" radius, 45° arc R18A45 - 18" radius, 45° arc R24A45 - 24" radius, 45° arc R30A45 - 30" radius, 45° arc R36A45 - 36" radius, 45° arc ⁷ Can be ordered as individual segments or as a pattern with multiple segments. For patterns, multiple 45° arc segments can be placed next to each other to create wider arcs. If more than one option is specified, separate codes with a "+", e.g. 2R18A45+6R36A22. ⁸ Specify the total quantity of each segment.
				Qty ⁸ R48A45 - 48" radius, 45° arc R60A45 - 60" radius, 45° arc R72A45 - 72" radius, 45° arc RxxA## - Custom radius, custom arc (submit a drawing) NA - None

STRAIGHT CORNERS	VOLTAGE	DRIVER ¹¹	ELECTRICAL
CORNER TYPE LEV - Leveled corner NA - None	CORNER DEGREE 90COR(#) - 90 degrees, specify number of corners (#) #COR(#) ⁹ - Custom degree, specify the angle degree #, followed by the number of corners (#) NA - None ⁹ Minimum angle is 30°.	120V - 120V 277V - 277V UNV - 120V-277V 347V ¹⁰ - 347V ¹⁰ Only available with RD1 driver. Subject to factory evaluation of pattern.	INTEGRAL D1 - 1% 0-10V DA ^{12,13} - DALI LTEA2W ^{13,14} - Lutron 1% - 2 wire FP120V LDE1 ^{12,13} - Lutron Hi-Lume 1% Eco ELD1 ¹³ - eldoLED 1% ECOdrive 0-10V ELDO ¹³ - eldoLED 0.1% SOLOdrive 0-10V ¹¹ PoE (Power-over-Ethernet) compatible. Consult factory for details. ¹² On-site commissioning is required. ¹³ Availability subject to factory evaluation of pattern. ¹⁴ Available with 120V only. ¹⁵ For emergency battery, code will be like the following example: RD1 + EB.
			REMOTE RD1 - 1% 0-10V RDA ¹² - DALI RLTEA2W ¹⁴ - Lutron 1% - 2 wire FP120V RLDE1 ¹² - Lutron Hi-Lume 1% Eco RELD1 - eldoLED 1% ECOdrive 0-10V RELDO - eldoLED 0.1% SOLOdrive 0-10V +EB ¹⁵ - Emergency battery ¹⁶ Available for Direct/Indirect only. Separate direct and indirect circuits. ¹⁷ Minimum 4" fixture. ¹⁸ Not available with 347V.

MOUNTING	FINISH
PENDANT POWER BAC - Black power cord + aircraft cable WAC - White power cord + aircraft cable STM ¹⁹ - Stem (Ø0.5") ¹⁹ Stem finish is the same color as fixture.	RECESSED DTR - Drywall trim DMF - Drywall mud flange
CANOPY FINISH W - Matte white AL - Aluminum B - Matte black CF - Custom finish, specify RAL#	W - Matte white AL - Aluminum B - Matte black CF# - Custom finish, specify RAL#
MOUNTING POINTS MC - Multiple canopies	
MOUNTING LENGTH 18IN - 18" 24IN - 24" 36IN - 36" 48IN - 48" 60IN - 60" 72IN - 72" 96IN - 96" 120IN - 120" ##IN - Specify nominal length in inches	FINISH W - Matte white AL - Aluminum B - Matte black CF# - Custom finish, specify RAL#
SURFACE DRC - Drywall ceiling	RECESSED DTR - Drywall trim DMF - Drywall mud flange



CURVIA 4

PATTERN

PENDANT - SURFACE - RECESSED

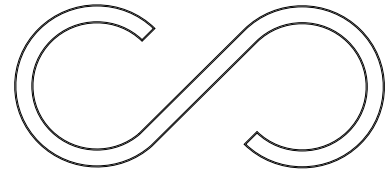
LUMENWERX

Project: _____

Type: _____

Pattern

Use the grid below to sketch the layout of your Curvia 4 Pattern.



CURVIA 4

PATTERN

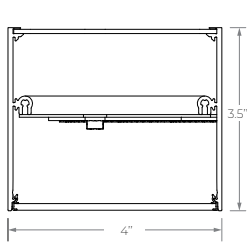
PENDANT - SURFACE - RECESSED

LUMENWERX

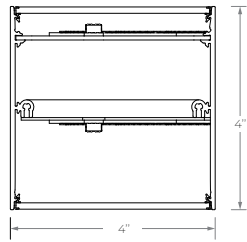
Section View

RECESSED

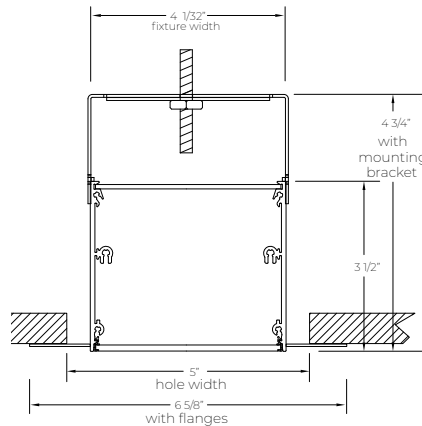
PENDANT, SURFACE



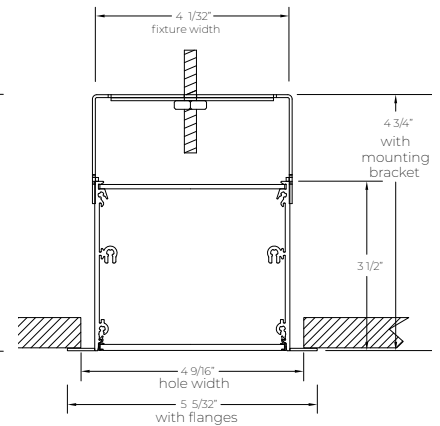
DIRECT



DIRECT / INDIRECT



DMF - Drywall mud flange

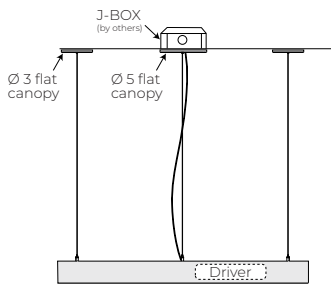


DTR - Drywall trim

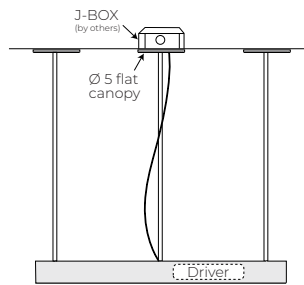
Mounting Options

PENDANT

INTEGRAL DRIVER

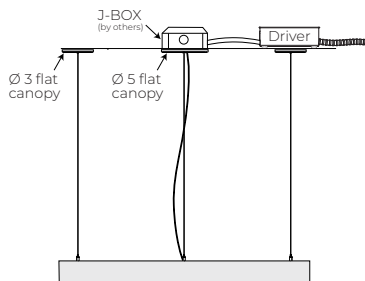


POWER CORD + AIRCRAFT CABLE

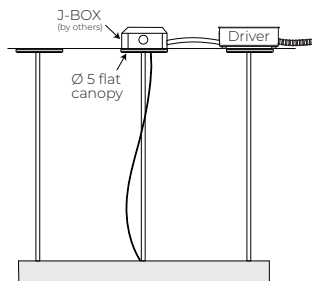


STEM

REMOTE DRIVER



POWER CORD + AIRCRAFT CABLE



STEM

CURVIA 4

PATTERN

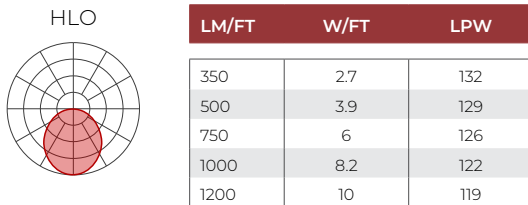
PENDANT - SURFACE - RECESSED

LUMENWERX

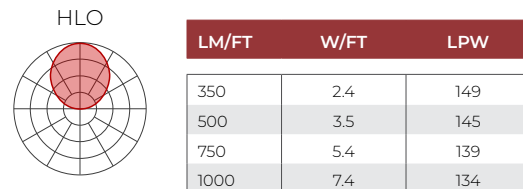
Photometrics

Values calculated based on 4 ft straight segments at 35K and 80 CRI for all optics.

DIRECT OPTICS



INDIRECT OPTICS



MULTIPLIER TABLES

Use these tables to get results for different color temperatures and CRI for all Direct and Indirect photometric tables.

Multiplier - CCT/CRI

CCT (K)	Watts		LPW	
	CRI80	CRI90	CRI80	CRI90
2700	1.05	1.26	0.95	0.79
3000	1.01	1.23	0.99	0.81
3500	1.00	1.20	1.00	0.84
4000	1.00	1.17	1.00	0.85

DIRECT/INDIRECT - LPW CALCULATION

For Direct/Indirect performance values, follow the formula.

$$\frac{\left(\begin{array}{c} \text{DIRECT} \\ \text{LM/FT} \end{array} + \begin{array}{c} \text{INDIRECT} \\ \text{LM/FT} \end{array} \right)}{\left(\begin{array}{c} \text{DIRECT} \\ \text{W/FT} \end{array} + \begin{array}{c} \text{INDIRECT} \\ \text{W/FT} \end{array} \right)} = \text{LPW}$$

CURVIA 4

PATTERN

PENDANT - SURFACE - RECESSED

LUMENWERX

Technical Specifications

OPTICS

High-Efficiency Lambertian Optic (HLO)

Lumenwerx's High-Efficiency Lambertian Optic is engineered with reflective sidewalls that distribute LED output across acrylic shielding. To negotiate the curves of Lumenwerx rounded fixtures, the HLO is equipped with proprietary SupremeGrip™ technology, which keeps the optic securely in place.

LIGHT SOURCE

Custom array of mid-flux LEDs are cartridge-mounted with quick-connect wiring to facilitate service and thermal management. Available in 2700K, 3000K, 3500K and 4000K with a minimum 80 CRI and an option for 90 CRI with elevated R9 value. Color consistency maintained to within 3 SDCM. LEDs operate at reduced drive current to optimize efficacy and lumen maintenance. All LEDs have been tested in accordance with IESNA LM-80-08 and the results have shown L80 lumen maintenance greater than 60,000 hours. Absolute product photometry is measured and presented in accordance with IESNA LM-79, unless otherwise indicated.

ELECTRICAL

Factory-set, adjustable output current LED driver with universal (120-277VAC) input. Dimmable from 100% to 1% with 0-10V dimming control. Rated life (90% survivorship) of 50,000 hours at 50°C max. ambient (and 70°C max. case) temperature. At maximum driver load: Efficiency > 84%, PF > 0.9, THD < 20%. Other specifiable options include Lutron Hi-Lume 1% (specify 2-wire, or Ecosystem Dim-to-Off), eldoLED 1% ECOdrive 0-10V, eldoLED 0.1% SOLOdrive 0-10V, and DALI protocol drivers. All of our standard 0-10V drivers are NEMA 410 compliant.

PoE

Depending on the PoE manufacturer selected, Lumenwerx will install the node in factory as either integral to the luminaire or as a remote module. Factory programming of the PoE node may or may not enable the following functionalities: lumen package, emergency battery backup, and sensor integration. These must be addressed and evaluated on a case-by-case basis.

Battery

Factory installed long life, high temperature, maintenance-free Lithium-Ion battery pack with self-test functionality, test switch and charge indicator. Minimum of 90 minutes operation, up to 1000 lumens per 4' (25°C) emergency lighting output and recharge time of 24 hours.

MOUNTING OPTION

Pendant

Pendant fixtures can be mounted either with aircraft cable or with stem.

Surface

Fixtures can be mounted directly to drywall and hard surface ceilings, hardware supplied by others. A minimum distance of 6" from the vertical wall is required.

Recessed

Recessed fixtures can be mounted in drywall ceilings with trim or mud flange options.

FINISH

Interior - 95%, reflective matte powder coated white paint.

Exterior - Matte white, matte black or aluminum powder coating. Custom finishes are also available.

CONSTRUCTION

Housing - Extruded aluminum and aluminum sheet, up to 90% recycled content

Reflectors - Aluminum

HLO - Acrylic and polycarbonate

Hanger - Chromed griplock securely attached with spring steel hardware in end caps and/or joiners

Aircraft cable suspension - 7x7 braids aluminum aircraft cable 0.06" thick

Stem - 0.5" diameter threaded steel tube matte white or aluminum powder coating. Custom finishes are also available.

CERTIFICATIONS

ETL - Rated for Indoor dry/damp locations. Conforms to UL Standard 1598 and certified to CAN/CSA Standard C22.2 No. 250.0.

IC rated - Suitable for direct contact with insulation. For Recessed mounting only.

WARRANTY

Lumenwerx provides a five-year limited warranty on electrical and mechanical performance of the luminaires, including the LED boards, drivers, and auxiliary electronics. Lumenwerx will repair or replace defective luminaires or components at our discretion, provided they have been installed and operated in accordance with our specifications. Other limitations apply, please refer to the full warranty on our website.