

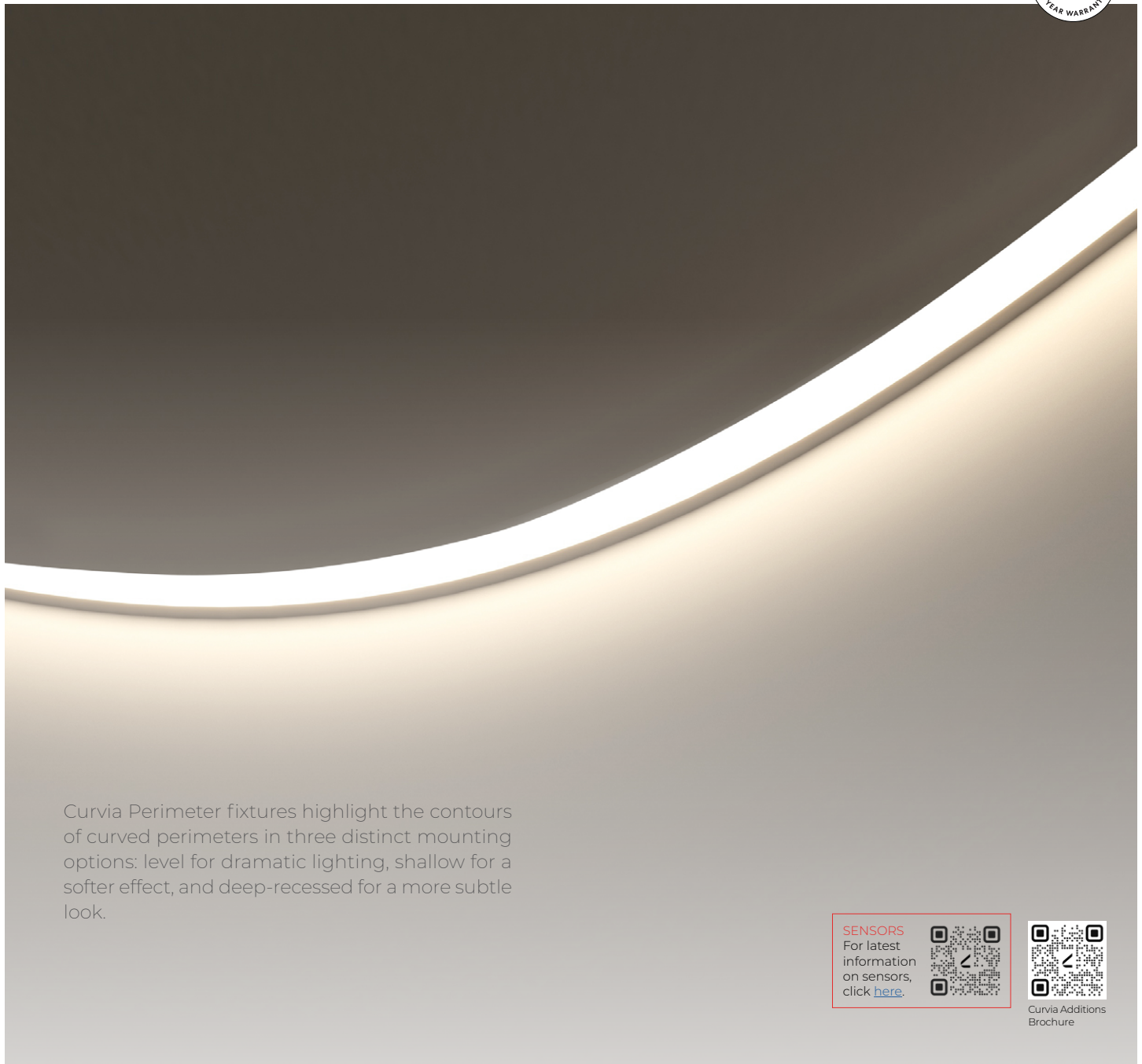
CURVIA 4 PERIMETER

PATTERN

RECESSED



Declare.



Curvia Perimeter fixtures highlight the contours of curved perimeters in three distinct mounting options: level for dramatic lighting, shallow for a softer effect, and deep-recessed for a more subtle look.

SENSORS
For latest information on sensors, click [here](#).



Curvia Additions Brochure

Curvia Family (Refer to other spec sheets)

Curvia Mini	Curvia Slim	Curvia Slim Seal	Curvia Prism	Curvia	Curvia XYZ	Curvia Horizon	Curvia Perimeter	Curvia Seal Perimeter	Curvia Seal	Curvia Acoustix
1"	1", 2"	1", 2"	2"	2", 3", 4"	2", 3"	2", 3"	2", 3", 4", 5"	2", 3", 4"	2", 3", 4"	2"
Ring	Ring Shapes Pattern	Ring Shapes Pattern	Ring Shapes Pattern	Ring Shapes Pattern	Pattern	Ring Shapes	Pattern	Pattern	Ring Shapes Pattern	Ring Shapes Pattern

3737 Cote Vertu St-Laurent, Quebec, Canada H4R 2C9
T (514) 225-4304 F (514) 931-4862
www.lumenwerx.com



Lumenwerx reserves the right to modify product specifications without notification.
© Lumenwerx, ULC. All rights reserved.
CURVIA4-PERIMETER-PATTERN-SPEC-REV1 April 16, 2026

CURVIA 4 PERIMETER

PATTERN

RECESSED





Project: _____

Type: _____

Order Guide

A drawing of your pattern is required - anything from a line drawing to an architectural drawing.

LUMINAIRE ID	DISTRIBUTION	OPTIC	LIGHT SOURCE ³	CRI	LUMEN PACKAGE
	D				
CURV4PERLPAT - Curvia 4" Perimeter Level Pattern CURV4PERSPAT - Curvia 4" Perimeter Shallow Pattern CURV4PERDPAT - Curvia 4" Perimeter Deep Pattern	D - Direct	HLO - High-Efficiency Lambertian Optic AOO ^{1,2} - Asymmetric Opal Optic ¹ Direction of light must be indicated on RCP/lighting plans. ² Not available with Deep fixtures.	SW - Static white FS - Full spectrum static white ³ Chromawerx SOLA, DUO, and QUADRO also available. Consult factory.	80CRI ⁴ - 80+ CRI 90CRI ⁴ - 90+ CRI 95CRI ⁵ - 95+ CRI ⁴ Not available with full spectrum. ⁵ Not available with static white.	350LMF - Eco low output 350 lm/ft 500LMF - Low output 500 lm/ft 750LMF - Medium output 750 lm/ft 1000LMF ⁶ - High output 1000 lm/ft 1200LMF ⁶ - High output 1200 lm/ft ⁶ Not available with full spectrum.

COLOR TEMP.	TOTAL PATTERN LENGTH	CORNER TYPE ^{7,8}	VOLTAGE	DRIVER ¹³
27K - 2700K 30K - 3000K 35K - 3500K 40K - 4000K 50K - 5000K	#FT#IN - Specify total pattern length (#) in 1" and/or 1" increments	CURVED CORNER ^{9,10} #LEVC - Curved leveled corner  LEVC NA - None ⁷ See page 3 for details. ⁸ If more than one option is specified, separate codes with a "+", e.g. 2LEVC+1LEVS(A45). ⁹ Minimum radius is 8". Consult factory for smaller radii. ¹⁰ Specify quantity (#), e.g. 2LEVC. ¹¹ Specify quantity (#) and angle (A##), e.g. 2LEVS(A90).	STRAIGHT CORNER ¹¹ #LEVS(A##) - Straight leveled corner  LEVS(A##) ¹² Available with D1 driver only. Subject to factory evaluation.	120V - 120V 277V - 277V UNV - 120V-277V 347V ¹² - 347V D1 - 1% 0-10V ELV ¹⁴ - ELV 120V TRI ¹⁴ - TRIAC 120V DA ¹⁵ - DALI LDEI ¹⁵ - Lutron Hi-Lume 1% Eco ELDI - eldoLED 1% ECOdrive 0-10V ELDO - eldoLED 0.1% SOLOdrive 0-10V ¹³ Integral or remote subject to factory evaluation. Code will be updated with prefix "R" if factory determines driver to be remote. ¹⁴ Available with 120V only. ¹⁵ On-site commissioning is required.

ELECTRICAL	ELECTRICAL SECTIONS (optional) ^{20, 21}	MOUNTING	FINISH	OPTIONS ²⁸
1C - 1 circuit #MC ¹⁶ - Multi circuit EC - Emergency-powered fixture NL - Night light fixture DL - Daylight fixture GTD ^{17, 18, 19} - Generator transfer device fixture ¹⁶ Specify total number of circuits (#), including any required for electrical section options. Provide drawing or layout specifications. Minimum 4' section per circuit for integral drivers. ¹⁷ Integral or remote subject to factory evaluation. GTD must be housed with the driver. ¹⁸ Not available with 347V. ¹⁹ Minimum 12" radius for integral GTD.	#EC## ²² - Emergency-powered section #NL## ²² - Night light section #DL## ²² - Daylight section #GTD## ^{22, 23, 24, 25} - Generator transfer device section #EMB ^{23, 24, 26, 27} - Emergency battery NA - None ²⁰ Specify with multi circuit (#MC) electrical option only. ²¹ Provide drawing or layout specifications. Consult factory for other configurations. Default section length is 4'. ²² Specify quantity (#), and section length in inches (##). ²³ Integral or remote subject to factory evaluation. GTD/EMB must be housed with the driver. ²⁴ Not available with 347V. ²⁵ Minimum 12" radius for integral GTD. ²⁶ Specify quantity (#). Each battery powers a 4' linear section. Minimum length of linear section is 5'. ²⁷ All batteries will be on the same circuit.	DTR - Trim DMF - Drywall mud flange	W - Matte white CF# - Custom finish, specify RAL#	NEF ^{29, 30} - No end flanges FEP ³⁰ - Flush end plates FU120 - Fuse 120V FU277 - Fuse 277V FWC - Flexible whip cable (6' std) CP - Chicago Plenum NA - None ²⁸ Separate codes with a "+" if more than one is specified. ²⁹ For wall-to-wall installations. ³⁰ See page 5 for details.



CURVIA 4 PERIMETER

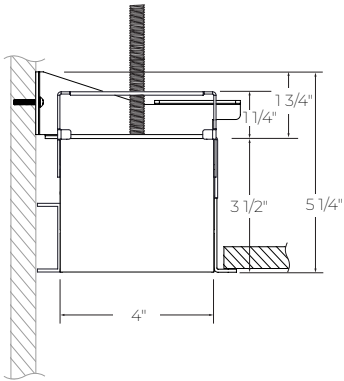
PATTERN

RECESSED

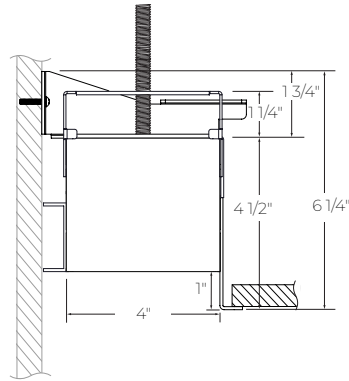


Dimensions

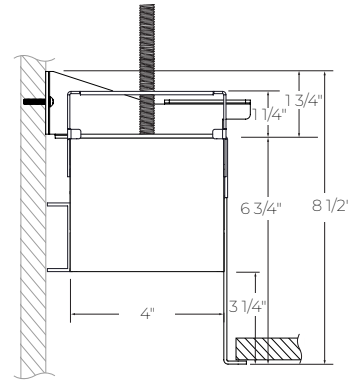
Level



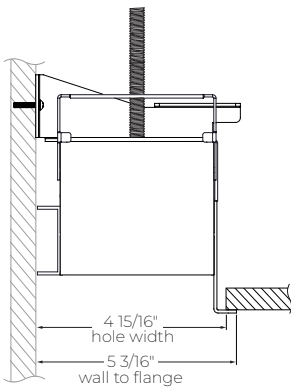
Shallow



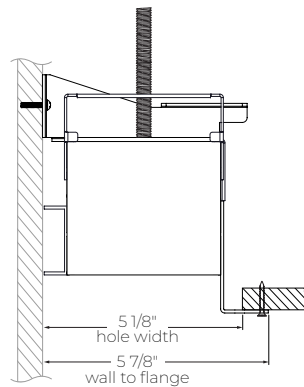
Deep



Trim

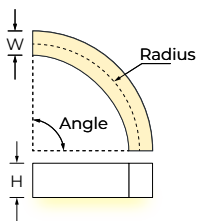


Drywall Mud Flange

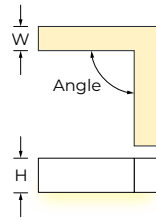


Corner Type

Curved Corners



Straight Corners



	LEVEL	SHALLOW	DEEP
Height (H)	3 1/2"	4 1/2"	6 3/4"
Width (W)	4"		

CURVIA 4 PERIMETER

PATTERN

RECESSED

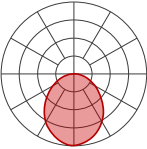
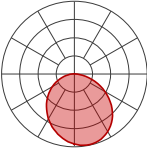
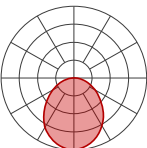
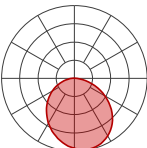
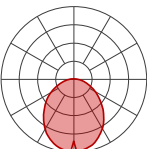


Photometrics

Values calculated based on a 4' fixture at 3500K for all optics.

HLO - High-Efficiency Lambertian Optic

AOO - Asymmetric Opal Optic

Level	HLO - High-Efficiency Lambertian Optic			AOO - Asymmetric Opal Optic				
	LM/FT	W/FT	LM/W	LM/FT	W/FT	LM/W		
Level		350	2.7	132		350	3	112
		500	3.9	129		500	4.5	110
		750	6	126		750	7	107
		1000	8.2	122		1000	9.5	104
		1200	10	119		1200	12	101
Shallow		350	3	125		350	3	101
		500	4	123		500	5	99
		750	6	120		750	8	96
		1000	9	116		1000	11	93
		1200	11	113		1200	13	91
Deep		350	3	119				
		500	4	116				
		750	7	113				
		1000	9	110				
		1200	11	107				

MULTIPLIER TABLE

Use this table to get results for different color temperatures for all photometric tables..

CCT	WATTS		LPW
	80+ CRI / 90+ CRI	80+ CRI / 90+ CRI	80+ CRI / 90+ CRI
2700K	1.05		0.95
3000K	1.02		0.98
3500K	1.00		1.00
4000K	1.00		1.00
5000K	0.96		1.04

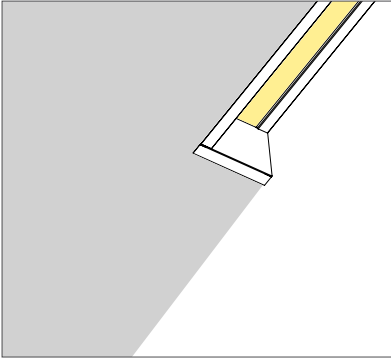
CURVIA 4 PERIMETER

PATTERN
RECESSED

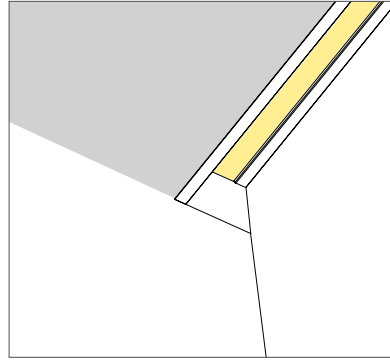


End Configurations

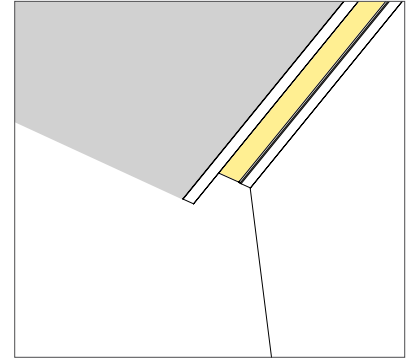
STANDARD



OPTIONS



NEF - No end flanges



FEP - Flush end plates

CURVIA 4 PERIMETER

PATTERN

RECESSED



Technical Specifications

OPTICS

High-Efficiency Lambertian Optic (HLO)

Lumenwerx's High-Efficiency Lambertian Optic is engineered with reflective sidewalls that distribute LED output across acrylic shielding. To negotiate the curves of Lumenwerx rounded fixtures, the HLO is equipped with proprietary SupremeGrip™ technology, which keeps the optic securely in place.

Asymmetric Opal Optic (AOO)

The Asymmetric Opal Optic (AOO) provides targeted illumination while diffusing light evenly, minimizing glare and spill. Its design creates a soft, inviting ambiance, making it ideal for architectural and accent lighting in modern spaces.

LIGHT SOURCE

Static white

Custom array of mid-flux LEDs are cartridge-mounted with quick-connect wiring to facilitate service and thermal management. Available in 2700K, 3000K, 3500K, 4000K, and 5000K with a minimum 80+ CRI and an option for 90+ CRI with elevated R9 value. Color consistency maintained to within 3 SDCM. LEDs operate at reduced drive current to optimize efficacy and lumen maintenance. All LEDs have been tested in accordance with IESNA LM-80-08 and the results have shown L80 lumen maintenance greater than 60,000 hours. Absolute product photometry is measured and presented in accordance with IESNA LM-79, unless otherwise indicated.

Full spectrum static white

The full spectrum LED option offers improved color particularly in the cyan region that is beneficial in both healthcare and circadian lighting strategies. The cyan region in full spectrum LED is richer at the 480 nm range.

ELECTRICAL

Factory-set, adjustable output current LED driver with universal (120-277 VAC) input. Dimmable from 100% to 1% with 0-10V dimming control. Rated life (90% survivorship) of 50,000 hours at 50°C max. ambient (and 70°C max. case) temperature. At maximum driver load: Efficiency > 84%, PF > 0.9, THD < 20%. Other specifiable options include Lutron Hi-Lume 1% Eco, eldoLED 1% ECOdrive 0-10V, eldoLED 0.1% SOLOdrive 0-10V, ELV, TRIAC, and DALI protocol drivers. All of our standard 0-10V drivers are NEMA 410 compliant. ELV and TRIAC dimming performance (including minimum dimming percentage) subject to dimmer selection.

PoE

Depending on the PoE manufacturer selected, Lumenwerx will install the node in factory as either integral to the luminaire or as a remote module. Factory programming of the PoE node may or may not enable the following functionalities: lumen package,

DUO (tunable white), QUADRO (RGBW), emergency battery backup, and sensor integration. These must be addressed and evaluated on a case-by-case basis.

Battery

Factory installed long life, high temperature, maintenance-free Lithium-Ion battery pack with self-test functionality, test switch and charge indicator. Minimum of 90 minutes operation, up to 1000 lumens per 4' (25°C) emergency lighting output and recharge time of 24 hours.

MOUNTING

Recessed fixtures can be mounted in ceilings with trim or mud flange options.

FINISH

Interior: 95% reflective matte powder coated white paint.

Exterior: Matte white powder coating. Custom finishes are also available.

CONSTRUCTION

Housing: Extruded aluminum

Interior brackets: Die-formed cold rolled sheet steel

Joining system: Die-cast zinc

Reflectors: Aluminum

Lens: Acrylic

Recessed flanges: Extruded aluminum

End plate: Die-formed cold rolled sheet steel

WEIGHT

Level: 3.2 lb/ft - 1.45 kg/ft

Shallow: 3.2 lb/ft - 1.45 kg/ft

Deep: 3.4 lb/ft - 1.5 kg/ft

CERTIFICATIONS

ETL: Rated for indoor dry/damp locations. Conforms to UL Standard 1598 and certified to CAN/CSA Standard C22.2 No. 250.0.

Chicago Plenum: City of Chicago Approved (CCEA) when specified with CP option.

IC rated: Suitable for direct contact with insulation

Declare: [LBC Red List Approved](#)

WARRANTY

Lumenwerx provides a five-year limited warranty on electrical and mechanical performance of the luminaires, including the LED boards, drivers, and auxiliary electronics. Lumenwerx will repair or replace defective luminaires or components at our discretion, provided they have been installed and operated in accordance with our specifications. Other limitations apply, please refer to the full warranty on our website.