

CURVIA 4

RING

PENDANT - SURFACE - RECESSED

LUMENWERX



The Curvia 4 Ring with High-Efficiency Lambertian Optic (HLO) is a circular fixture available in recessed, surface, and pendant mounting types. It can illuminate as a solo fixture or within groupings. Its circular shape adds softness and a sense of fluidity and wholeness to any given space.

Curvia Family (Refer to other spec sheets)

Curvia Mini



Ring
1"

Curvia 2 Prism



Ring
2"
Shapes
Square / Rectangle / Capsule
2"

Pattern
2"

Curvia 2, 3, 4



Ring
2" / 3" / 4"

Shapes
Square / Rectangle / Capsule
2" / 3" / 4"

Pattern
2" / 3" / 4"

SENSORS
For latest
information
on sensors,
click [here](#).



CURVIA 4

RING

PENDANT - SURFACE - RECESSED

LUMENWERX



Project: _____

Type: _____

Order Guide

LUMINAIRE ID	DISTRIBUTION	SIZE ²	DIRECT OPTIC	INDIRECT OPTIC Specify NA for Direct fixture
			HLO	
CURV4RIP - Curvia 4" Ring Pendant CURV4RIS - Curvia 4" Ring Surface CURV4RIR - Curvia 4" Ring Recessed	DI ¹ - Direct/Indirect D - Direct ¹ Available for Pendant mounting only.	2FT - Ø 2ft 3FT - Ø 3ft 4FT - Ø 4ft 5FT - Ø 5ft 6FT - Ø 6ft ² 8ft and over will be shipped in separate pieces.	8FT - Ø 8ft 10FT - Ø 10ft 12FT - Ø 12ft #FT - Custom, specify diameter (#)	HLO - High-Efficiency Lambertian Optic HLO - High-Efficiency Lambertian Optic NA - Not applicable

LIGHT SOURCE ³	CRI	DIRECT LUMEN PACKAGE	INDIRECT LUMEN PACKAGE Specify NA for Direct fixture	COLOR TEMPERATURE
SW - Static white FS - Full spectrum ³ Chromawerx Sola and Duo also available. Consult factory.	80CRI ⁴ - 80 CRI 90CRI ⁴ - 90 CRI 95CRI ⁵ - 95 CRI ⁴ Not available with full spectrum. ⁵ Not available with static white.	350LMF - Eco low output 350 lm/ft 500LMF - Low output 500 lm/ft 750LMF - Medium output 750 lm/ft 1000LMF ⁶ - High output 1000 lm/ft 1200LMF ⁶ - Ultra high output 1200 lm/ft ⁶ Not available with full spectrum.	350LMF - Eco low output 350 lm/ft 500LMF - Low output 500 lm/ft 750LMF - Medium output 750 lm/ft 1000LMF ⁷ - High output 1000 lm/ft NA - Not applicable ⁷ Not available with full spectrum.	27K - 2700K 30K - 3000K 35K - 3500K 40K - 4000K

VOLTAGE	DRIVER ⁹	ELECTRICAL
120V - 120V 277V - 277V UNV - 120V-277V 347V ⁸ - 347V ⁸ Only available with D1 driver (for Ø 5ft and bigger), and RD1 driver (for up to Ø 4ft).	INTEGRAL D1 - 1% 0-10V DA ^{10,11} - DALI LTEA2W ^{11,12} - Lutron 1% - 2 wire FP120V LDE1 ^{10,11} - Lutron Hi-Lume 1% Eco ELD1 ¹¹ - eldoLED 1% ECOdrive 0-10V ELDO ¹¹ - eldoLED 0.1% SOLOdrive 0-10V ⁹ PoE (Power-over-Ethernet) compatible. Consult factory for details. ¹⁰ On-site commissioning is required. ¹¹ Not available with Ø 2ft, Ø 3ft, and Ø 4ft. ¹² Available with 120V only. ¹³ For emergency battery, code will be like the following example: RD1 + EB.	REMOTE RD1 - 1% 0-10V RDA ¹⁰ - DALI RLTEA2W ¹² - Lutron 1% - 2 wire FP120V RLDE1 ¹⁰ - Lutron Hi-Lume 1% Eco RELD1 - eldoLED 1% ECOdrive 0-10V RELDO - eldoLED 0.1% SOLOdrive 0-10V +EB ¹³ - Emergency battery ¹⁴ Available for Direct/Indirect only. Separate direct and indirect circuits. ¹⁵ Not available with Ø 2ft. ¹⁶ Not available with 347V.

MOUNTING				FINISH		
PENDANT				SURFACE	RECESSED	W - Matte white AL - Aluminum B - Matte black CF# - Custom finish, specify RAL#
POWER	CANOPY FINISH	MOUNTING POINTS	MOUNTING LENGTH ²¹	DRC - Drywall ceiling	DTR - Drywall trim DMF - Drywall mud flange	
BAC - Black power cord + aircraft cable WAC - White power cord + aircraft cable STM ¹⁷ - Stem (Ø0.5") ¹⁷ Stem finish is the same color as fixture.	W - Matte white AL - Aluminum B - Matte black CF - Custom finish, specify RAL#	SC ^{18,19} - Single canopy MC ²⁰ - Multiple canopies ¹⁸ Available up to Ø 4ft only. ¹⁹ Not available with stem. ²⁰ 3 Canopies for up to 8ft diameter, 4 or more for other sizes.	18IN - 18" 24IN - 24" 36IN - 36" 48IN - 48" 60IN - 60" ²¹ For single canopy option the minimum required mounting heights are (distance from ceiling to top of fixture in inches): Ø 2ft - min 15" Ø 3ft - min. 22" Ø 4ft - min. 29"			

CURVIA 4

RING

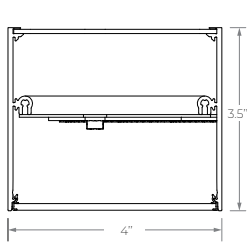
PENDANT - SURFACE - RECESSED

LUMENWERX

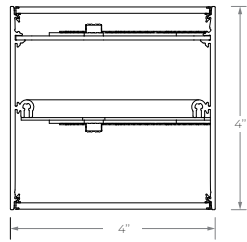
Section View

RECESSED

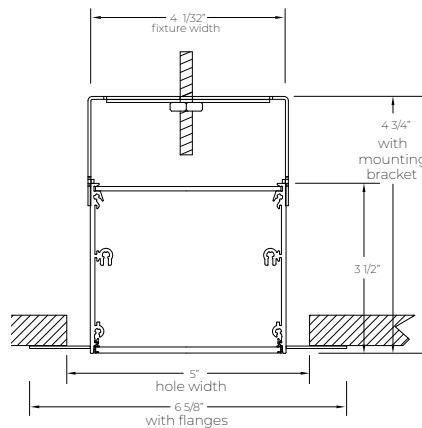
PENDANT, SURFACE



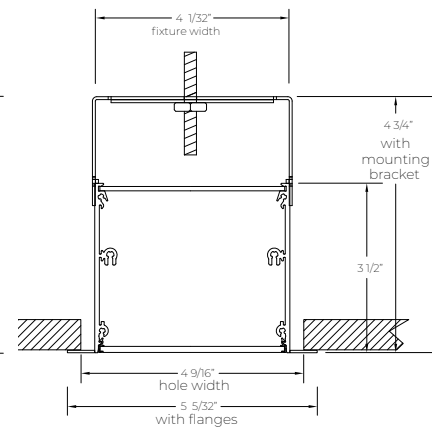
DIRECT



DIRECT / INDIRECT



DMF - Drywall mud flange

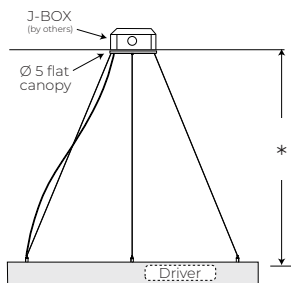


DTR - Drywall trim

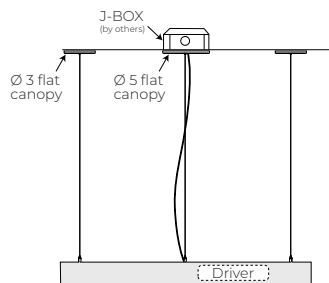
Mounting Options

PENDANT

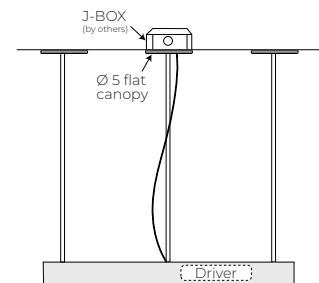
INTEGRAL DRIVER



POWER CORD + AIRCRAFT CABLE
SC - SINGLE CANOPY

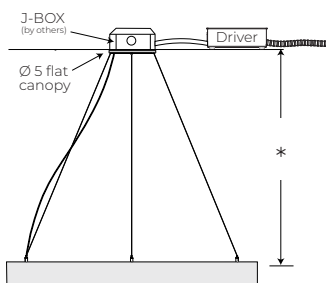


POWER CORD + AIRCRAFT CABLE
MC - MULTIPLE CANOPIES

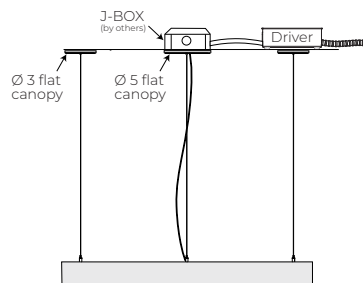


STEM
MC - MULTIPLE CANOPIES

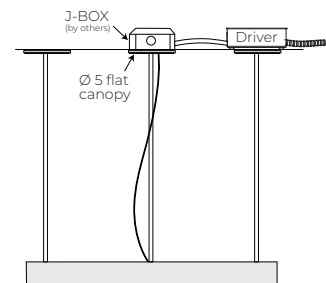
REMOTE DRIVER



POWER CORD + AIRCRAFT CABLE
SC - SINGLE CANOPY



POWER CORD + AIRCRAFT CABLE
MC - MULTIPLE CANOPIES



STEM
MC - MULTIPLE CANOPIES

* For single canopy option, the minimum required mounting heights: Ø 2ft : min 15" | Ø 3ft : min 22" | Ø 4ft : min 29".

CURVIA 4

RING

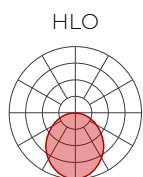
PENDANT - SURFACE - RECESSED

LUMENWERX

Photometrics

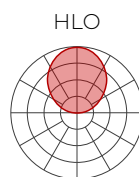
Values calculated based on 4 ft straight segments at 35K and 80 CRI for all optics.

DIRECT OPTICS



LM/FT	W/FT	LPW
350	2.7	132
500	3.9	129
750	6	126
1000	8.2	122
1200	10	119

INDIRECT OPTICS



LM/FT	W/FT	LPW
350	2.4	149
500	3.5	145
750	5.4	139
1000	7.4	134

MULTIPLIER TABLES

Use these tables to get results for different color temperatures and CRI for all Direct and Indirect photometric tables.

Multiplier - CCT/CRI

CCT (K)	Watts		LPW	
	CRI80	CRI90	CRI80	CRI90
2700	1.05	1.26	0.95	0.79
3000	1.01	1.23	0.99	0.81
3500	1.00	1.20	1.00	0.84
4000	1.00	1.17	1.00	0.85

DIRECT/INDIRECT - LPW CALCULATION

For Direct/Indirect performance values, follow the formula.

$$\left(\frac{\text{DIRECT LM/FT} + \text{INDIRECT LM/FT}}{\text{DIRECT W/FT} + \text{INDIRECT W/FT}} \right) = \text{LPW}$$

CURVIA 4

RING

PENDANT - SURFACE - RECESSED

LUMENWERX

Technical Specifications

OPTICS

High-Efficiency Lambertian Optic (HLO)

Lumenwerx's High-Efficiency Lambertian Optic is engineered with reflective sidewalls that distribute LED output across acrylic shielding. To negotiate the curves of Lumenwerx rounded fixtures, the HLO is equipped with proprietary SupremeGrip™ technology, which keeps the optic securely in place.

LIGHT SOURCE

Custom array of mid-flux LEDs are cartridge-mounted with quick-connect wiring to facilitate service and thermal management. Available in 2700K, 3000K, 3500K and 4000K with a minimum 80 CRI and an option for 90 CRI with elevated R9 value. Color consistency maintained to within 3 SDCM. LEDs operate at reduced drive current to optimize efficacy and lumen maintenance. All LEDs have been tested in accordance with IESNA LM-80-08 and the results have shown L80 lumen maintenance greater than 60,000 hours. Absolute product photometry is measured and presented in accordance with IESNA LM-79, unless otherwise indicated.

ELECTRICAL

Factory-set, adjustable output current LED driver with universal (120-277VAC) input. Dimmable from 100% to 1% with 0-10V dimming control. Rated life (90% survivorship) of 50,000 hours at 50°C max. ambient (and 70°C max. case) temperature. At maximum driver load: Efficiency > 84%, PF > 0.9, THD < 20%. Other specifiable options include Lutron Hi-Lume 1% (specify 2-wire, or Ecosystem Dim-to-Off), eldoLED 1% ECOdrive 0-10V, eldoLED 0.1% SOLOdrive 0-10V, and DALI protocol drivers. All of our standard 0-10V drivers are NEMA 410 compliant.

PoE

Depending on the PoE manufacturer selected, Lumenwerx will install the node in factory as either integral to the luminaire or as a remote module. Factory programming of the PoE node may or may not enable the following functionalities: lumen package, emergency battery backup, and sensor integration. These must be addressed and evaluated on a case-by-case basis.

Battery

Factory installed long life, high temperature, maintenance-free Lithium-Ion battery pack with self-test functionality, test switch and charge indicator. Minimum of 90 minutes operation, up to 1000 lumens per 4' (25°C) emergency lighting output and recharge time of 24 hours.

MOUNTING OPTION

Pendant

Pendant fixtures can be mounted either with aircraft cable or with stem.

Surface

Fixtures can be mounted directly to drywall and hard surface ceilings, hardware supplied by others. A minimum distance of 6" from the vertical wall is required.

Recessed

Recessed fixtures can be mounted in drywall ceilings with trim or mud flange options.

FINISH

Interior - 95%, reflective matte powder coated white paint.

Exterior - Matte white, matte black or aluminum powder coating. Custom finishes are also available.

CONSTRUCTION

Housing - Extruded aluminum and aluminum sheet, up to 90% recycled content

Reflectors - Aluminum

HLO - Acrylic and polycarbonate

Hanger - Chromed griplock securely attached with spring steel hardware in end caps and/or joiners

Aircraft cable suspension - 7x7 braids aluminum aircraft cable 0.06" thick

Stem - 0.5" diameter threaded steel tube matte white or aluminum powder coating. Custom finishes are also available.

CERTIFICATIONS

ETL - Rated for Indoor dry/damp locations. Conforms to UL Standard 1598 and certified to CAN/CSA Standard C22.2 No. 250.0.

IC rated - Suitable for direct contact with insulation. For Recessed mounting only.

WARRANTY

Lumenwerx provides a five-year limited warranty on electrical and mechanical performance of the luminaires, including the LED boards, drivers, and auxiliary electronics. Lumenwerx will repair or replace defective luminaires or components at our discretion, provided they have been installed and operated in accordance with our specifications. Other limitations apply, please refer to the full warranty on our website.