

CURVIA 4 SEAL PERIMETER

PATTERN

RECESSED



Curvia Seal Perimeter offers protection up to IP65 and three distinct mounting options for curvilinear perimeter applications: level for dramatic lighting, shallow for a softer effect, and deep-recessed for a more subtle look.



SENSORS
For latest information on sensors, click [here](#).



Curvia Additions Brochure

Curvia Family (Refer to other spec sheets)

| | | | | | | | | | | |
|-------------------|---------------------------|----------------------------|---------------------------|---------------------------|----------------------|--------------------------|------------------------------------|--|---------------------------|---------------------------|
| Curvia Mini 1" | Curvia Slim 1", 2" | Curvia Slim Seal 1", 2" | Curvia Prism 2" | Curvia 2", 3", 4" | Curvia XYZ 2", 3" | Curvia Horizon 2", 3" | Curvia Perimeter 2", 3", 4", 5" | Curvia Seal Perimeter 2", 3", 4" | Curvia Seal 2", 3", 4" | Curvia Acoustix 2" |
| | | | | | | | | | | |
| Ring | Ring Shapes Pattern | Ring Shapes Pattern | Ring Shapes Pattern | Ring Shapes Pattern | Pattern | Ring Shapes | Pattern | Pattern | Ring Shapes Pattern | Ring Shapes Pattern |

3737 Cote Vertu St-Laurent, Quebec, Canada H4R 2C9
T (514) 225-4304 F (514) 931-4862
www.lumenwerx.com



Lumenwerx reserves the right to modify product specifications without notification.
© Lumenwerx, ULC. All rights reserved.
CURVIA4-SEAL-PERIMETER-PATTERN-SPEC-REV1 April 16, 2026

CURVIA 4 SEAL PERIMETER

PATTERN
RECESSED





Project: _____

Type: _____

Order Guide

A drawing of your pattern is required - anything from a line drawing to an architectural drawing.

| LUMINAIRE ID | DISTRIBUTION | ENVIRONMENT ¹ | OPTIC | LIGHT SOURCE ² | CRI |
|--|--------------|--|---|--|--|
| | D | | EPDO | | |
| CURV4SEALPERLPAT - Curvia 4" Perimeter Level Pattern CURV4SEALPERSPAT - Curvia 4" Perimeter Shallow Pattern CURV4SEALPERDPAT - Curvia 4" Perimeter Deep Pattern | D - Direct | IP65 - IP65-Rated IP54 - IP54-Rated ¹ See page 4 for more information on the features and installation details for each environment option. | EPDO - Environmentally Protected Direct Optic | SW - Static white FS - Full spectrum static white ² Chromawerx SOLA, DUO, and QUADRO also available. Consult factory. | 80CRI ³ - 80+ CRI 90CRI ³ - 90+ CRI 95CRI ⁴ - 95+ CRI ³ Not available with full spectrum. ⁴ Not available with static white. |

| LUMEN PACKAGE | COLOR TEMP. | TOTAL PATTERN LENGTH | CORNER TYPE ^{6,7} | VOLTAGE | DRIVER ¹² |
|---|--|--|---|---|---|
| 350LMF - Eco low output 350 lm/ft 500LMF - Low output 500 lm/ft 750LMF - Medium output 750 lm/ft 1000LMF ⁵ - High output 1000 lm/ft ⁵ Not available with full spectrum. | 27K - 2700K 30K - 3000K 35K - 3500K 40K - 4000K 50K - 5000K | #FT#IN - Specify total pattern length (#) in 1' and/or 1" increments | <div style="display: flex; justify-content: space-between;"> <div style="width: 45%;"> CURVED CORNER ^{8,9} #LEVC - Curved leveled corner  LEVC </div> <div style="width: 45%;"> STRAIGHT CORNER ¹⁰ #LEVS(A##) - Straight leveled corner  LEVS(A##) </div> </div> <p>NA - None</p> <p>⁶See page 3 for details. ⁷If more than one option is specified, separate codes with a "+", e.g. 2LEVC+1LEVS(A45). ⁸Minimum radius is 8". Consult factory for smaller radii. ⁹Specify quantity (#), e.g. 2LEVC. ¹⁰Specify quantity (#) and angle (A##), e.g. 2LEVS(A90).</p> | 120V - 120V 277V - 277V UNV - 120V-277V 347V ¹¹ - 347V ¹¹ Available with D1 driver only. Subject to factory evaluation. | D1 - 1% 0-10V ELV ^{13,14} - ELV 120V TRI ^{13,14} - TRIAC 120V DA ¹⁵ - DALI LDE1 ^{14,15} - Lutron Hi-Lume 1% Eco ELD1 - eldoLED 1% ECOdrive 0-10V ELD0 - eldoLED 0.1% SOLOdrive 0-10V RLTD10 ¹⁶ - Remote Low-temperature 10% 0-10V ¹² Integral or remote subject to factory evaluation. Code will be updated with prefix "R" if factory determines driver to be remote. ¹³ Available with 120V only. ¹⁴ Not suitable for temperatures below 0°C (32°F) ¹⁵ On-site commissioning is required. ¹⁶ Remote driver box required. Suitable for temperatures down to -40°C/F. |

| ELECTRICAL | ELECTRICAL SECTIONS (optional) ^{21,22} | MOUNTING | FINISH | OPTIONS ²⁹ |
|--|---|--|--|--|
| 1C - 1 circuit #MC ¹⁷ - Multi circuit EC - Emergency-powered fixture NL - Night light fixture DL - Daylight fixture GTD ^{18,19,20} - Generator transfer device fixture ¹⁷ Specify total number of circuits (#), including any required for electrical section options. Provide drawing or layout specifications. Minimum 4' section per circuit for integral drivers. ¹⁸ Integral or remote subject to factory evaluation. GTD must be housed with the driver. ¹⁹ Not available with 347V. ²⁰ Not suitable for environments below 0°C (32°F). | #EC## ²³ - Emergency-powered section #NL## ²³ - Night light section #DL## ²³ - Daylight section #GTD## ^{23,24,25,26} - Generator transfer device section #EMB ^{24,25,26,27,28} - Emergency battery NA - None ²¹ Specify with multi circuit (#MC) electrical option only. ²² Provide drawing or layout specifications. Consult factory for other configurations. Default section length is 4'. ²³ Specify quantity (#), and section length in inches (##). ²⁴ Integral or remote subject to factory evaluation. GTD/EMB must be housed with the driver. ²⁵ Not available with 347V. ²⁶ Not suitable for environments below 0°C (32°F). ²⁷ Specify quantity (#). Each battery powers a 4' linear section. Minimum length of linear section is 5'. ²⁸ All batteries will be on the same circuit. | DTR - Trim DMF - Drywall mud flange | W - Matte white CF# - Custom finish, specify RAL# | NEF ^{30,31} - No end flanges FEP ³¹ - Flush end plates FUI20 - Fuse 120V FU277 - Fuse 277V FWC - Flexible whip cable (6' std) CP - Chicago Plenum CRF - Corrosion resistant finish NA - None ²⁹ Separate codes with a "+#" if more than one is specified. ³⁰ For wall-to-wall installations. ³¹ See page 6 for details. |



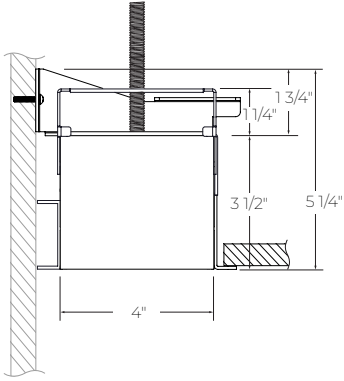
CURVIA 4 SEAL PERIMETER

PATTERN
RECESSED

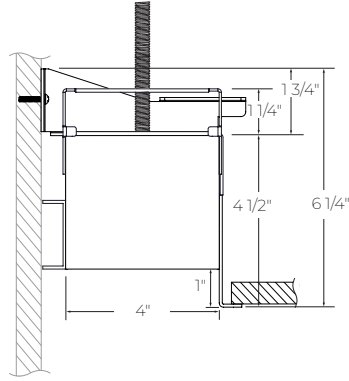


Dimensions

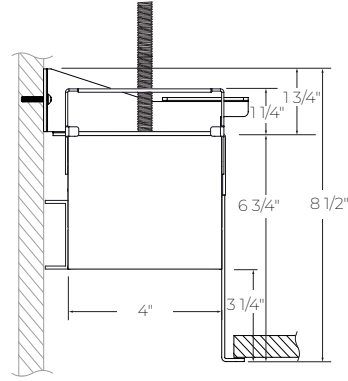
Level



Shallow



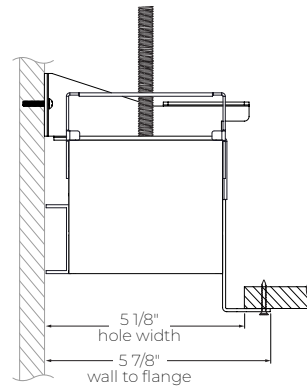
Deep



Trim

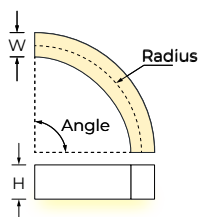


Drywall Mud Flange

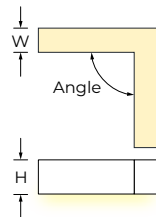


Corner Type

Curved Corners



Straight Corners



| | LEVEL | SHALLOW | DEEP |
|------------|--------|---------|--------|
| Height (H) | 3 1/2" | 4 1/2" | 6 3/4" |
| Width (W) | 4" | | |

CURVIA 4 SEAL PERIMETER

PATTERN
RECESSED



Environment Options

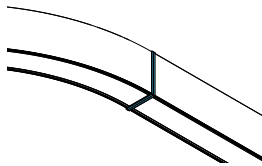
IP65-RATED



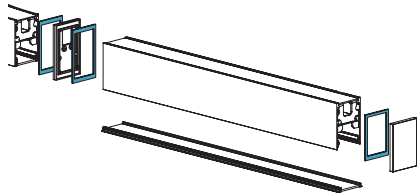
Fixture is dust-tight and sealed against water jets from any direction.

Wet listed

Low-profile joiner bridge every 8'



Direct



OUTDOOR: Exposed to the elements

Suitable for ambient temperatures of -20°C (-4°F) to 30°C (86°F)**

INDOOR: Wet Listed applications, healthcare applications, high-maintenance settings

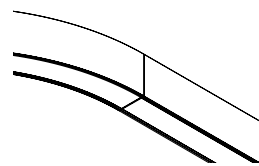
IP54-RATED



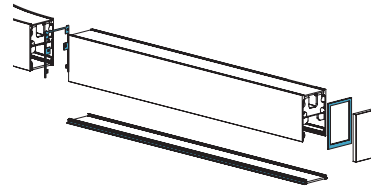
Fixture is dust and water-splash protected with reinforced sealed protection for internal electrical components*. The lens, joiners and end caps are gasketed for secure sealing.

Wet listed

Gasketed joiner



Direct



OUTDOOR: Mild exposure to the elements, under canopy

Suitable for ambient temperatures of -20°C (-4°F) to 30°C (86°F)**

INDOOR: Wipe-down environments

* Internal electrical components are IP65-rated. The driver is fully enclosed, wiring connections are sealed to prevent ingress of dust and moisture, and the LED board is conformal-coated for enhanced protection.

** Some restrictions apply.

CURVIA 4 SEAL PERIMETER

PATTERN

RECESSED

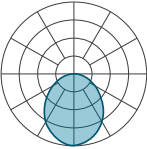
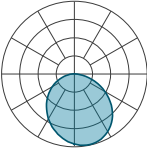
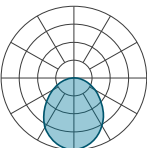
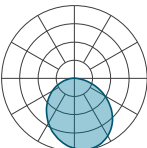
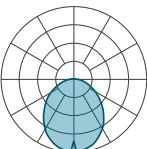


Photometrics

Values calculated based on a 4' fixture at 3500K for all optics.

HLO - High-Efficiency Lambertian Optic

AOO - Asymmetric Opal Optic

| Level | HLO - High-Efficiency Lambertian Optic | | | AOO - Asymmetric Opal Optic | | | | |
|---------|---|------|------|-----------------------------|---|------|-----|-----|
| | LM/FT | W/FT | LM/W | LM/FT | W/FT | LM/W | | |
| Level |  | 350 | 2.7 | 132 |  | 350 | 3 | 112 |
| | | 500 | 3.9 | 129 | | 500 | 4.5 | 110 |
| | | 750 | 6 | 126 | | 750 | 7 | 107 |
| | | 1000 | 8.2 | 122 | | 1000 | 9.5 | 104 |
| | | 1200 | 10 | 119 | | 1200 | 12 | 101 |
| Shallow |  | 350 | 3 | 125 |  | 350 | 3 | 101 |
| | | 500 | 4 | 123 | | 500 | 5 | 99 |
| | | 750 | 6 | 120 | | 750 | 8 | 96 |
| | | 1000 | 9 | 116 | | 1000 | 11 | 93 |
| | | 1200 | 11 | 113 | | 1200 | 13 | 91 |
| Deep |  | 350 | 3 | 119 | | | | |
| | | 500 | 4 | 116 | | | | |
| | | 750 | 7 | 113 | | | | |
| | | 1000 | 9 | 110 | | | | |
| | | 1200 | 11 | 107 | | | | |

MULTIPLIER TABLE

Use this table to get results for different color temperatures for all photometric tables.

| CCT | WATTS | |
|-------|-------------------|--------------------------|
| | 80+ CRI / 90+ CRI | LPW 80+ CRI / 90+ CRI |
| 2700K | 1.05 | 0.95 |
| 3000K | 1.02 | 0.98 |
| 3500K | 1.00 | 1.00 |
| 4000K | 1.00 | 1.00 |
| 5000K | 0.96 | 1.04 |

CURVIA 4 SEAL PERIMETER

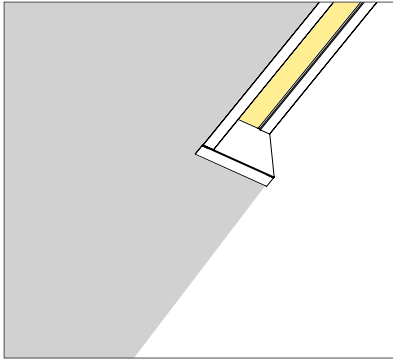
PATTERN

RECESSED

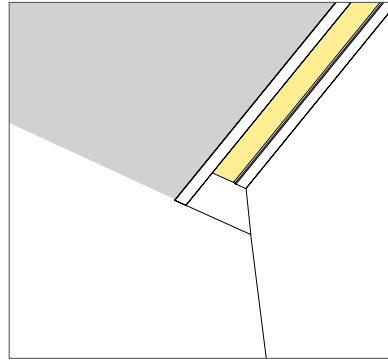


End Configurations

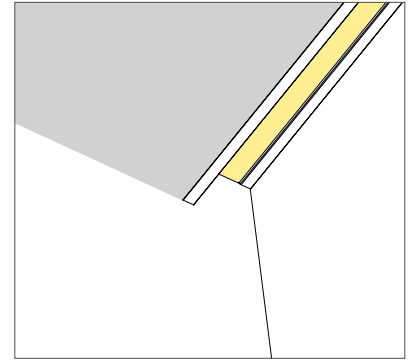
STANDARD



OPTIONS



NEF - No end flanges



FEP - Flush end plates

CURVIA 4 SEAL PERIMETER

PATTERN

RECESSED



Technical Specifications

OPTIC

Environmentally Protected Direct Optic (EPDO)

The Environmentally Protected Optic features an innovative sealed design with our exclusive Supreme Grip™ Technology and advanced gasketing, ensuring a precise, secure fit on the extrusion while delivering superior protection against dust, water, and UV distortion.

LIGHT SOURCE

Static white

Custom array of mid-flux LEDs are cartridge-mounted with quick-connect wiring to facilitate service and thermal management. Available in 2700K, 3000K, 3500K, 4000K, and 5000K with a minimum 80+ CRI and an option for 90+ CRI with elevated R9 value. Color consistency maintained to within 3 SDCM. LEDs operate at reduced drive current to optimize efficacy and lumen maintenance. All LEDs have been tested in accordance with IESNA LM-80-08 and the results have shown L80 lumen maintenance greater than 60,000 hours. Absolute product photometry is measured and presented in accordance with IESNA LM-79, unless otherwise indicated.

Full spectrum static white

The full spectrum LED option offers improved color particularly in the cyan region that is beneficial in both healthcare and circadian lighting strategies. The cyan region in full spectrum LED is richer at the 480 nm range.

ELECTRICAL

Factory-set, adjustable output current LED driver with universal (120-277 VAC) input. Dimmable from 100% to 1% with 0-10V dimming control. Rated life (90% survivorship) of 50,000 hours at 50°C max. ambient (and 70°C max. case) temperature. At maximum driver load: Efficiency > 84%, PF > 0.9, THD < 20%. Other specifiable options include Lutron Hi-Lume 1% Eco, eldoLED 1% ECOdrive 0-10V, eldoLED 0.1% SOLOdrive 0-10V, ELV, TRIAC, and DALI protocol drivers. All of our standard 0-10V drivers are NEMA 410 compliant. An optional low temperature 10% 0-10V driver, suitable for temperatures down to -40°C/F is also available. ELV and TRIAC dimming performance (including minimum dimming percentage) subject to dimmer selection.

PoE

Depending on the PoE manufacturer selected, Lumenwerx will install the node in factory as either integral to the luminaire or as a remote module. Factory programming of the PoE node may or may not enable the following functionalities: lumen package, DUO (tunable white), QUADRO (RGBW), emergency battery backup, and sensor integration. These must be addressed and evaluated on a case-by-case basis.

Battery

Factory installed long life, high temperature, maintenance-free Lithium-Ion battery pack with self-test functionality, test switch and charge indicator. Minimum of 90 minutes operation, up to 1000 lumens per 4' (25°C) emergency lighting output and recharge time of 24 hours.

Generator Transfer Device (GTD)

A UL924 listed shunt relay that can bypass both line voltage (120-277 VAC) and 0-10V dimming signal. Suited for ambient temperatures of 0°C (32°F) to 60°C (140°F).

MOUNTING

Recessed fixtures can be mounted in ceilings with trim or mud flange options.

FINISH

Interior: 95% reflective matte powder coated white paint.

Exterior: Matte white powder coating. Custom finishes are also available.

CONSTRUCTION

Housing: Extruded aluminum

Interior brackets: Die-formed cold rolled sheet steel

Joining system: Die-cast zinc

Reflectors: Aluminum

Lens: Polycarbonate

Recessed flanges: Extruded aluminum

End plate: Die-formed cold rolled sheet steel

WEIGHT

Level: 3.2 lb/ft - 1.45 kg/ft

Shallow: 3.2 lb/ft - 1.45 kg/ft

Deep: 3.4 lb/ft - 1.5 kg/ft

CERTIFICATIONS

ETL: IP65 environment option is IP65 rated. WET environment option is rated for dry/damp locations. WETL environment option is ETL Wet Listed. Conforms to UL Standard 1598 and certified to CAN/CSA Standard C22.2 No. 250.0. During the installation of WETL and IP65 fixtures, the contractor is responsible for properly sealing all mounting and electrical connection points.

Chicago Plenum: City of Chicago Approved (CCEA) when specified with CP option.

IC rated: Suitable for direct contact with insulation. For Recessed mounting only.

CURVIA 4 SEAL PERIMETER

PATTERN

RECESSED



WARRANTY

Lumenwerx provides a five-year limited warranty on electrical and mechanical performance of the luminaires, including the LED boards, drivers, and auxiliary electronics. Lumenwerx will repair or replace defective luminaires or components at our discretion, provided they have been installed and operated in accordance with our specifications. Other limitations apply, please refer to the full warranty on our website.