

# CURVIA 5 PERIMETER

## PATTERN

### RECESSED



Declare.



Curvia Perimeter fixtures highlight the contours of curved perimeters in three distinct mounting options: level for dramatic lighting, shallow for a softer effect, and deep-recessed for a more subtle look.

**SENSORS**  
For latest information on sensors, click [here](#).



Curvia Additions Brochure

#### Curvia Family (Refer to other spec sheets)

| Curvia Mini | Curvia Slim               | Curvia Slim Seal          | Curvia Prism              | Curvia                    | Curvia XYZ | Curvia Horizon | Curvia Perimeter | Curvia Seal Perimeter | Curvia Seal               | Curvia Acoustix           |
|-------------|---------------------------|---------------------------|---------------------------|---------------------------|------------|----------------|------------------|-----------------------|---------------------------|---------------------------|
| 1"          | 1", 2"                    | 1", 2"                    | 2"                        | 2", 3", 4"                | 2", 3"     | 2", 3"         | 2", 3", 4", 5"   | 2", 3", 4"            | 2", 3", 4"                | 2"                        |
|             |                           |                           |                           |                           |            |                |                  |                       |                           |                           |
| Ring        | Ring<br>Shapes<br>Pattern | Ring<br>Shapes<br>Pattern | Ring<br>Shapes<br>Pattern | Ring<br>Shapes<br>Pattern | Pattern    | Ring<br>Shapes | Pattern          | Pattern               | Ring<br>Shapes<br>Pattern | Ring<br>Shapes<br>Pattern |

3737 Cote Vertu St-Laurent, Quebec, Canada H4R 2C9  
T (514) 225-4304 F (514) 931-4862  
[www.lumenwerx.com](http://www.lumenwerx.com)



Lumenwerx reserves the right to modify product specifications without notification.  
© Lumenwerx, ULC. All rights reserved.  
CURVIA5-PERIMETER-PATTERN-SPEC-REV1 April 16, 2026

# CURVIA 5 PERIMETER

## PATTERN

### RECESSED





Project: \_\_\_\_\_

Type: \_\_\_\_\_

## Order Guide

A drawing of your pattern is required - anything from a line drawing to an architectural drawing.

| LUMINAIRE ID   | DISTRIBUTION      | OPTIC  | LIGHT SOURCE <sup>3</sup>  | CRI  | LUMEN PACKAGE   |
|--|-------------------|--|--|--|---|
|  | <b>D</b>          |  |  |  |   |
| <b>CURVSPERLPAT</b> - Curvia 5" Perimeter Level Pattern<br><b>CURVSPERSPAT</b> - Curvia 5" Perimeter Shallow Pattern<br><b>CURVSPERDPAT</b> - Curvia 5" Perimeter Deep Pattern | <b>D</b> - Direct | <b>HLO</b> - High-Efficiency Lambertian Optic<br><b>AOO</b> <sup>1,2</sup> - Asymmetric Opal Optic<br><br><sup>1</sup> Direction of light must be indicated on RCP/lighting plans.<br><sup>2</sup> Not available with Deep fixtures. | <b>SW</b> - Static white<br><b>FS</b> - Full spectrum static white<br><br><sup>3</sup> Chromawerx SOLA, DUO, and QUADRO also available. Consult factory. | <b>80CRI</b> <sup>4</sup> - 80+ CRI<br><b>90CRI</b> <sup>4</sup> - 90+ CRI<br><b>95CRI</b> <sup>5</sup> - 95+ CRI<br><br><sup>4</sup> Not available with full spectrum.<br><sup>5</sup> Not available with static white. | <b>350LMF</b> - Eco low output 350 lm/ft<br><b>500LMF</b> - Low output 500 lm/ft<br><b>750LMF</b> - Medium output 750 lm/ft<br><b>1000LMF</b> <sup>6</sup> - High output 1000 lm/ft<br><b>1200LMF</b> <sup>6</sup> - High output 1200 lm/ft<br><br><sup>6</sup> Not available with full spectrum. |

| COLOR TEMP.  | TOTAL PATTERN LENGTH  | CORNER TYPE <sup>7,8</sup>  | VOLTAGE   | DRIVER <sup>13</sup>   |
|--|---|---|---|--|
| <b>27K</b> - 2700K<br><b>30K</b> - 3000K<br><b>35K</b> - 3500K<br><b>40K</b> - 4000K<br><b>50K</b> - 5000K | <b>#FT#IN</b> - Specify total pattern length (#) in 1" and/or 1" increments | <b>CURVED CORNER</b> <sup>9,10</sup><br><b>#LEVC</b> - Curved leveled corner<br><br><b>NA</b> - None<br><br><sup>7</sup> See page 3 for details.<br><sup>8</sup> If more than one option is specified, separate codes with a "+", e.g. 2LEVC+1LEVS(A45).<br><sup>9</sup> Minimum radius is 8". Consult factory for smaller radii.<br><sup>10</sup> Specify quantity (#), e.g. 2LEVC.<br><sup>11</sup> Specify quantity (#) and angle (A##), e.g. 2LEVS(A90). | <b>STRAIGHT CORNER</b> <sup>11</sup><br><b>#LEVS(A##)</b> - Straight leveled corner<br><br><br><b>120V</b> - 120V<br><b>277V</b> - 277V<br><b>UNV</b> - 120V-277V<br><b>347V</b> <sup>12</sup> - 347V<br><br><sup>12</sup> Available with D1 driver only. Subject to factory evaluation. | <b>D1</b> - 1% 0-10V<br><b>ELV</b> <sup>14</sup> - ELV 120V<br><b>TRI</b> <sup>14</sup> - TRIAC 120V<br><b>DA</b> <sup>15</sup> - DALI<br><b>LDE1</b> <sup>15</sup> - Lutron Hi-Lume 1% Eco<br><b>ELD1</b> - eldoLED 1% ECOdrive 0-10V<br><b>ELDO</b> - eldoLED 0.1% SOLOdrive 0-10V<br><br><sup>13</sup> Integral or remote subject to factory evaluation. Code will be updated with prefix "R" if factory determines driver to be remote.<br><sup>14</sup> Available with 120V only.<br><sup>15</sup> On-site commissioning is required. |

| ELECTRICAL  | ELECTRICAL SECTIONS (optional) <sup>20, 21</sup>  | MOUNTING   | FINISH   | OPTIONS <sup>28</sup>   |
|---|---|--|--|---|
| <b>1C</b> - 1 circuit<br><b>#MC</b> <sup>16</sup> - Multi circuit<br><b>EC</b> - Emergency-powered fixture<br><b>NL</b> - Night light fixture<br><b>DL</b> - Daylight fixture<br><b>GTD</b> <sup>17, 18, 19</sup> - Generator transfer device fixture<br><br><sup>16</sup> Specify total number of circuits (#), including any required for electrical section options. Provide drawing or layout specifications. Minimum 4' section per circuit for integral drivers.<br><sup>17</sup> Integral or remote subject to factory evaluation. GTD must be housed with the driver.<br><sup>18</sup> Not available with 347V.<br><sup>19</sup> Minimum 12" radius for integral GTD. | <b>#EC##</b> <sup>22</sup> - Emergency-powered section<br><b>#NL##</b> <sup>22</sup> - Night light section<br><b>#DL##</b> <sup>22</sup> - Daylight section<br><b>#GTD##</b> <sup>22, 23, 24, 25</sup> - Generator transfer device section<br><b>#EMB</b> <sup>23, 24, 26, 27</sup> - Emergency battery<br><b>NA</b> - None<br><br><sup>20</sup> Specify with multi circuit (#MC) electrical option only.<br><sup>21</sup> Provide drawing or layout specifications. Consult factory for other configurations. Default section length is 4'.<br><sup>22</sup> Specify quantity (#), and section length in inches (##).<br><sup>23</sup> Integral or remote subject to factory evaluation. GTD/EMB must be housed with the driver.<br><sup>24</sup> Not available with 347V.<br><sup>25</sup> Minimum 12" radius for integral GTD.<br><sup>26</sup> Specify quantity (#). Each battery powers a 4' linear section. Minimum length of linear section is 5'.<br><sup>27</sup> All batteries will be on the same circuit. | <b>DTR</b> - Trim<br><b>DMF</b> - Drywall mud flange | <b>W</b> - Matte white<br><b>CF#</b> - Custom finish, specify RAL# | <b>NEF</b> <sup>29, 30</sup> - No end flanges<br><b>FEP</b> <sup>30</sup> - Flush end plates<br><b>FU120</b> - Fuse 120V<br><b>FU277</b> - Fuse 277V<br><b>FWC</b> - Flexible whip cable (6' std)<br><b>CP</b> - Chicago Plenum<br><b>NA</b> - None<br><br><sup>28</sup> Separate codes with a "+" if more than one is specified.<br><sup>29</sup> For wall-to-wall installations.<br><sup>30</sup> See page 5 for details. |



# CURVIA 5 PERIMETER

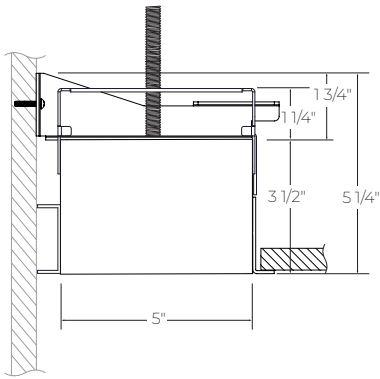
## PATTERN

### RECESSED

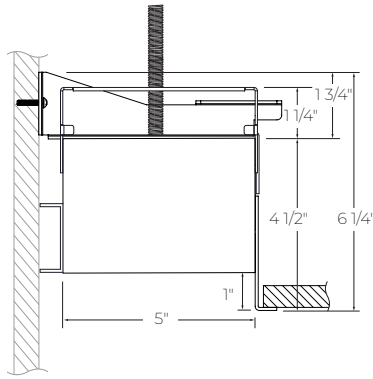


## Dimensions

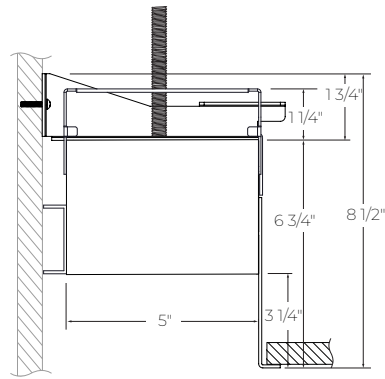
Level



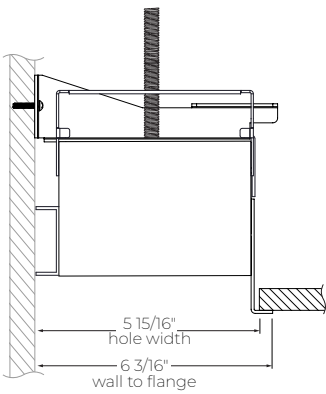
Shallow



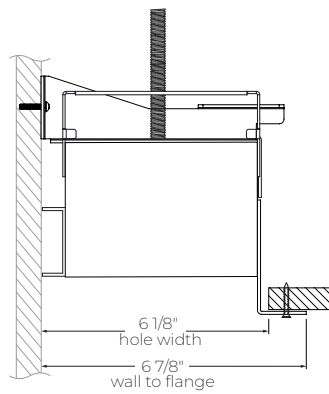
Deep



Trim



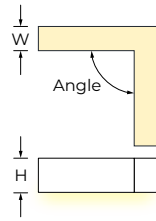
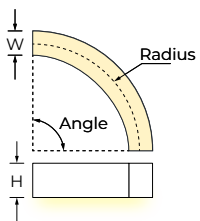
Drywall Mud Flange



## Corner Type

Curved Corners

Straight Corners



|            | LEVEL  | SHALLOW | DEEP   |
|------------|--------|---------|--------|
| Height (H) | 3 1/2" | 4 1/2"  | 6 3/4" |
| Width (W)  | 5"     |         |        |

# CURVIA 5 PERIMETER

## PATTERN

### RECESSED

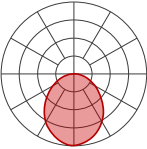
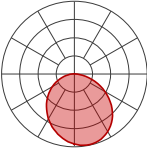
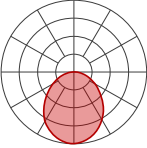
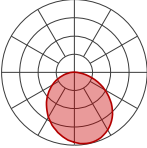
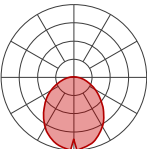


## Photometrics

Values calculated based on a 4' fixture at 3500K for all optics.

HLO - High-Efficiency Lambertian Optic

AOO - Asymmetric Opal Optic

| Level   | HLO - High-Efficiency Lambertian Optic  |      |      | AOO - Asymmetric Opal Optic |   |      |     |     |
|---------|---|------|------|-----------------------------|---|------|-----|-----|
|         | LM/FT   | W/FT | LM/W | LM/FT                       | W/FT  | LM/W |     |     |
| Level   |    | 350  | 2.7  | 132                         |  | 350  | 3   | 112 |
|         |   | 500  | 3.9  | 129                         |   | 500  | 4.5 | 110 |
|         |   | 750  | 6    | 126                         |   | 750  | 7   | 107 |
|         |   | 1000 | 8.2  | 122                         |   | 1000 | 9.5 | 104 |
|         |   | 1200 | 10   | 119                         |   | 1200 | 12  | 101 |
| Shallow |    | 350  | 3    | 125                         |  | 350  | 3   | 101 |
|         |   | 500  | 4    | 123                         |   | 500  | 5   | 99  |
|         |   | 750  | 6    | 120                         |   | 750  | 8   | 96  |
|         |   | 1000 | 9    | 116                         |   | 1000 | 11  | 93  |
|         |   | 1200 | 11   | 113                         |   | 1200 | 13  | 91  |
| Deep    |  | 350  | 3    | 119                         |   |      |     |     |
|         |   | 500  | 4    | 116                         |   |      |     |     |
|         |   | 750  | 7    | 113                         |   |      |     |     |
|         |   | 1000 | 9    | 110                         |   |      |     |     |
|         |   | 1200 | 11   | 107                         |   |      |     |     |

### MULTIPLIER TABLE

Use this table to get results for different color temperatures for all photometric tables..

| CCT   | WATTS             |                   | LPW  |
|-------|-------------------|-------------------|------|
|       | 80+ CRI / 90+ CRI | 80+ CRI / 90+ CRI |      |
| 2700K | 1.05              |                   | 0.95 |
| 3000K | 1.02              |                   | 0.98 |
| 3500K | 1.00              |                   | 1.00 |
| 4000K | 1.00              |                   | 1.00 |
| 5000K | 0.96              |                   | 1.04 |

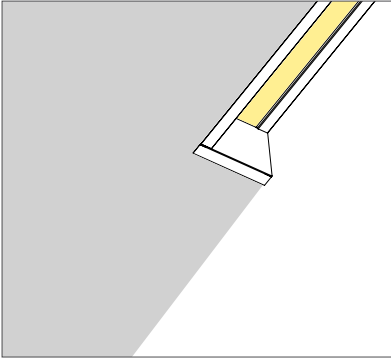
# CURVIA 5 PERIMETER

PATTERN  
RECESSED

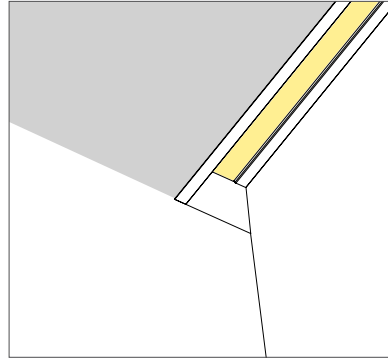


## End Configurations

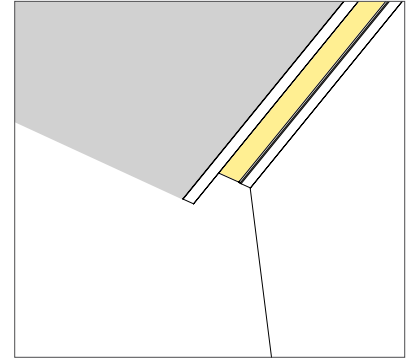
STANDARD



OPTIONS



**NEF** - No end flanges



**FEP** - Flush end plates

# CURVIA 5 PERIMETER

## PATTERN

### RECESSED



## Technical Specifications

### OPTICS

#### High-Efficiency Lambertian Optic (HLO)

Lumenwerx's High-Efficiency Lambertian Optic is engineered with reflective sidewalls that distribute LED output across acrylic shielding. To negotiate the curves of Lumenwerx rounded fixtures, the HLO is equipped with proprietary SupremeGrip™ technology, which keeps the optic securely in place.

#### Asymmetric Opal Optic (AOO)

The Asymmetric Opal Optic (AOO) provides targeted illumination while diffusing light evenly, minimizing glare and spill. Its design creates a soft, inviting ambiance, making it ideal for architectural and accent lighting in modern spaces.

### LIGHT SOURCE

#### Static white

Custom array of mid-flux LEDs are cartridge-mounted with quick-connect wiring to facilitate service and thermal management. Available in 2700K, 3000K, 3500K, 4000K, and 5000K with a minimum 80+ CRI and an option for 90+ CRI with elevated R9 value. Color consistency maintained to within 3 SDCM. LEDs operate at reduced drive current to optimize efficacy and lumen maintenance. All LEDs have been tested in accordance with IESNA LM-80-08 and the results have shown L80 lumen maintenance greater than 60,000 hours. Absolute product photometry is measured and presented in accordance with IESNA LM-79, unless otherwise indicated.

#### Full spectrum static white

The full spectrum LED option offers improved color particularly in the cyan region that is beneficial in both healthcare and circadian lighting strategies. The cyan region in full spectrum LED is richer at the 480 nm range.

### ELECTRICAL

Factory-set, adjustable output current LED driver with universal (120-277 VAC) input. Dimmable from 100% to 1% with 0-10V dimming control. Rated life (90% survivorship) of 50,000 hours at 50°C max. ambient (and 70°C max. case) temperature. At maximum driver load: Efficiency > 84%, PF > 0.9, THD < 20%. Other specifiable options include Lutron Hi-Lume 1% Eco, eldoLED 1% ECOdrive 0-10V, eldoLED 0.1% SOLOdrive 0-10V, ELV, TRIAC, and DALI protocol drivers. All of our standard 0-10V drivers are NEMA 410 compliant. ELV and TRIAC dimming performance (including minimum dimming percentage) subject to dimmer selection.

### PoE

Depending on the PoE manufacturer selected, Lumenwerx will install the node in factory as either integral to the luminaire or as a remote module. Factory programming of the PoE node may or may not enable the following functionalities: lumen package,

DUO (tunable white), QUADRO (RGBW), emergency battery backup, and sensor integration. These must be addressed and evaluated on a case-by-case basis.

### Battery

Factory installed long life, high temperature, maintenance-free Lithium-Ion battery pack with self-test functionality, test switch and charge indicator. Minimum of 90 minutes operation, up to 1000 lumens per 4' (25°C) emergency lighting output and recharge time of 24 hours.

### MOUNTING

Recessed fixtures can be mounted in ceilings with trim or mud flange options.

### FINISH

**Interior:** 95% reflective matte powder coated white paint.

**Exterior:** Matte white powder coating. Custom finishes are also available.

### CONSTRUCTION

**Housing:** Extruded aluminum

**Interior brackets:** Die-formed cold rolled sheet steel

**Joining system:** Die-cast zinc

**Reflectors:** Aluminum

**Lens:** Acrylic

**Recessed flanges:** Extruded aluminum

**End plate:** Die-formed cold rolled sheet steel

### WEIGHT

**Level:** 3.6 lb/ft - 1.6 kg/ft

**Shallow:** 3.6 lb/ft - 1.6 kg/ft

**Deep:** 3.8 lb/ft - 1.7 kg/ft

### CERTIFICATIONS

**ETL:** Rated for indoor dry/damp locations. Conforms to UL Standard 1598 and certified to CAN/CSA Standard C22.2 No. 250.0.

**Chicago Plenum:** City of Chicago Approved (CCEA) when specified with CP option.

**IC rated:** Suitable for direct contact with insulation

**Declare:** [LBC Red List Approved](#)

### WARRANTY

Lumenwerx provides a five-year limited warranty on electrical and mechanical performance of the luminaires, including the LED boards, drivers, and auxiliary electronics. Lumenwerx will repair or replace defective luminaires or components at our discretion, provided they have been installed and operated in accordance with our specifications. Other limitations apply, please refer to the full warranty on our website.