




## INSTALLATION INSTRUCTIONS

 This product must be installed in accordance with the National Electrical Code and all applicable local codes, by a person familiar with the construction and operation of the product, and the hazards involved. Proper grounding is required for safety.

Ce produit doit être installé suivant le code national de l'électricité, ainsi que tous les codes locaux applicables, par une personne familière avec la construction et le fonctionnement du produit, ainsi que tous les risques qui y sont associés. La mise à terre électrique est obligatoire pour la sécurité.

 Disconnect power before installation or servicing.


 Do not cover the light element lens or heatsink with any materials or adhesive tapes when the fixture is powered.

 Handle the LED cartridge carefully during removal and installation. Tools must not touch the LED chips. Contact may result in damage and LED failure.

 Wire dimming conductors as Class 1.

 A luminaire with more than one power supply connection means shall be connected to only one branch circuit.

 For luminaires specified as recessed, clearance between the sides of the luminaire and parts of the building must be 1/2" minimum; clearance to insulating materials to be 3" minimum, unless luminaire is IC rated.

 For luminaires installed in wet locations, properly seal all mounting and electrical points.

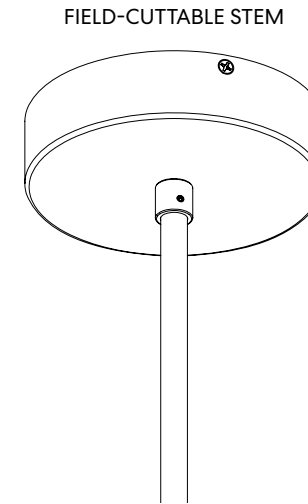
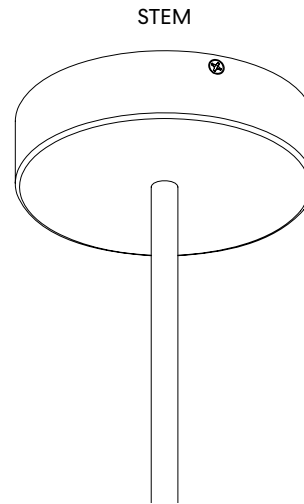
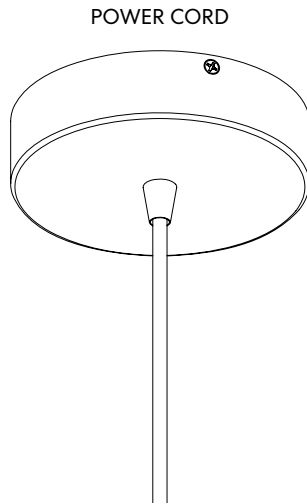
 Warranty claims will not be accepted if incorrect driver or light element is used.

# CYLINDER / CUBOID


Pendant - Deep Canopy





## INSTALLATION INSTRUCTIONS



Go to the section specific to your suspension option.

 For electrical connections, please refer to the [wiring diagram guide](#).

 For remote driver box installation instructions, please refer to the [remote driver installation sheet](#).

 Shown with round canopy. Applicable to square canopy.



### INDEX

Power cord.....	<a href="#">P.3</a>
Stem.....	<a href="#">P.9</a>
Field-cutable stem.....	<a href="#">P.12</a>

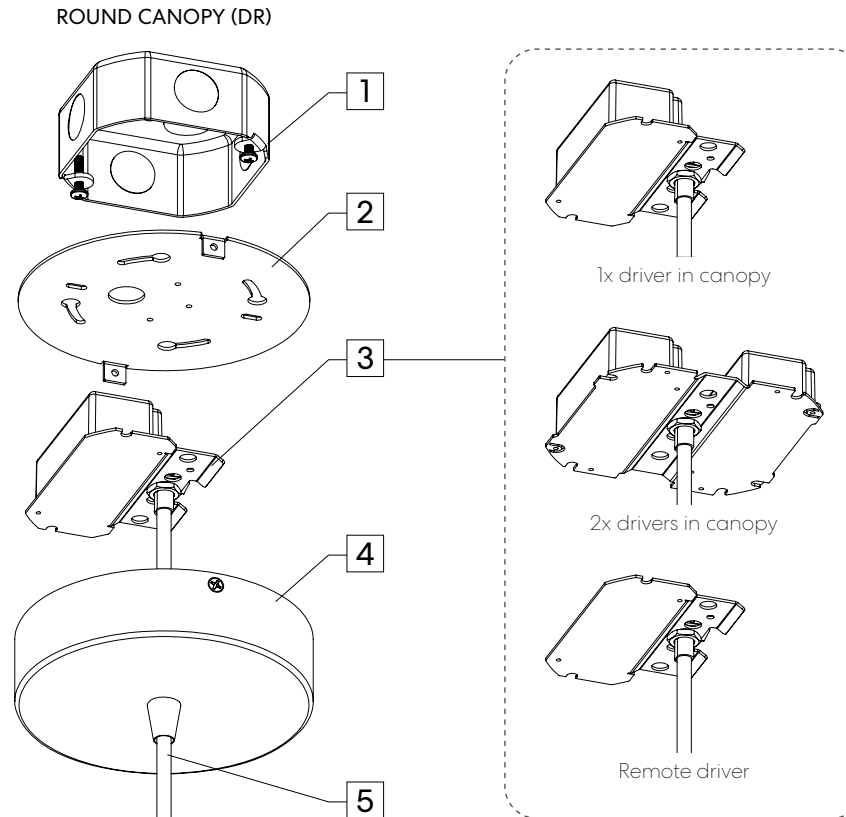


# CYLINDER / CUBOID

Pendant - Deep Canopy



## POWER CORD



### ITEMS LIST

1	Standard J-box (by others)
2	Mounting plate
3	Driver bracket
4	Deep canopy
5	Power cord

### TOOLS REQUIRED

- Flat head screwdriver
- Phillips screwdriver
- Power cord cutter (as required)
- Wire stripper (as required)

### CANOPY SIZE

<b>ROUND</b>	Ø 5 5/8" Height 1 3/8"
--------------	---------------------------



Instructions are shown with 1x driver option. Applicable to all driver options.

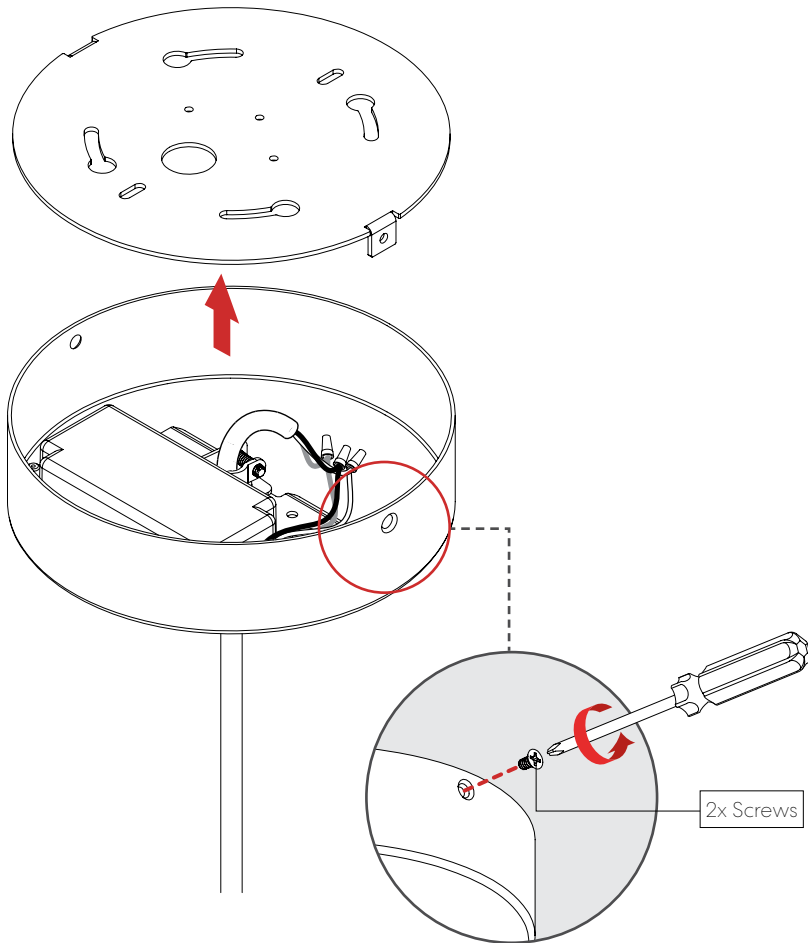
# CYLINDER / CUBOID

Pendant - Deep Canopy



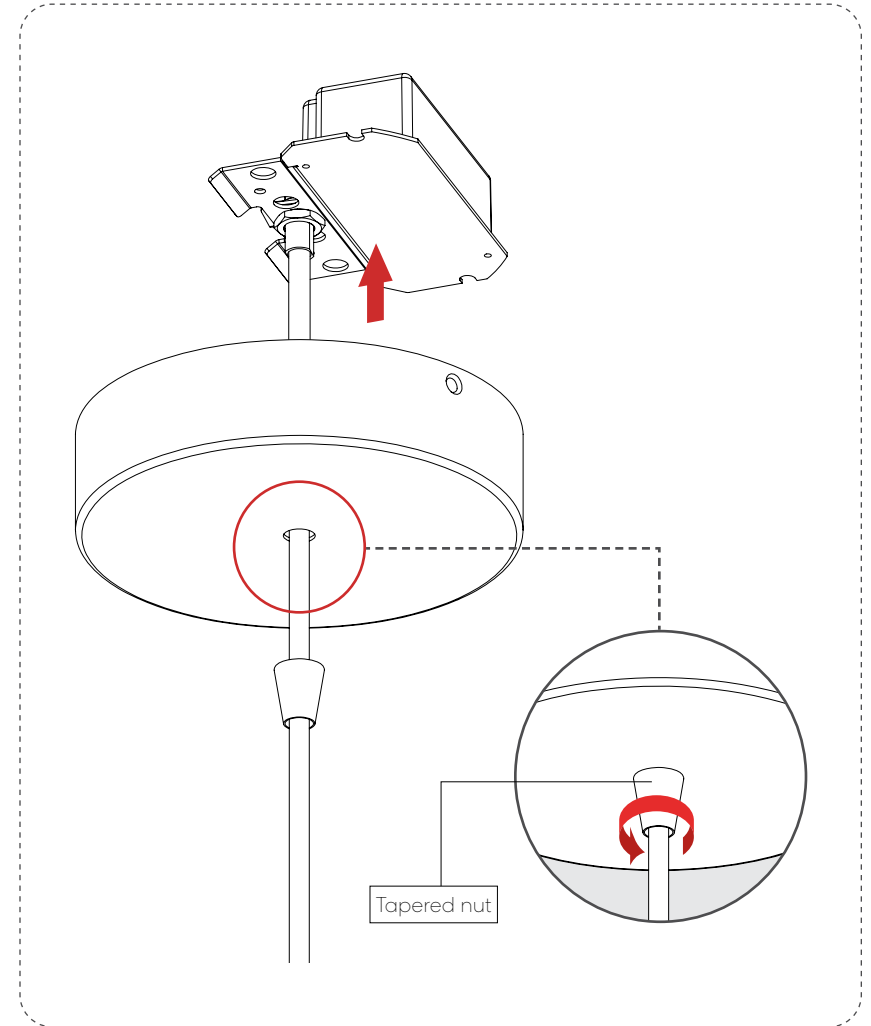
## POWER CORD

### 1 DETACH MOUNTING PLATE.



### 2 ADJUST POWER CORD LENGTH. **OPTIONAL**

#### 2-1 Detach the driver bracket.



# CYLINDER / CUBOID

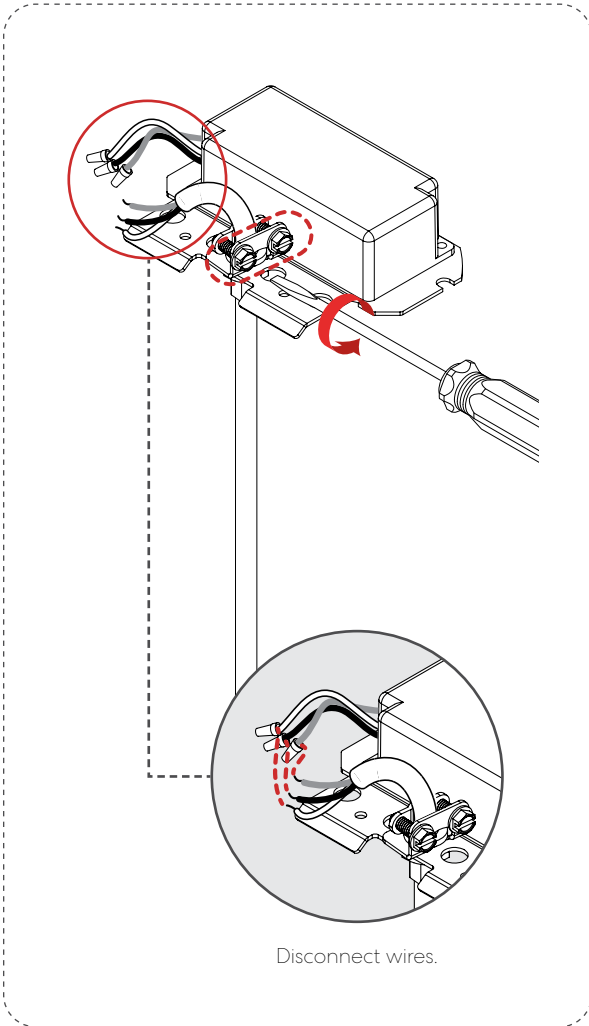
Pendant - Deep Canopy



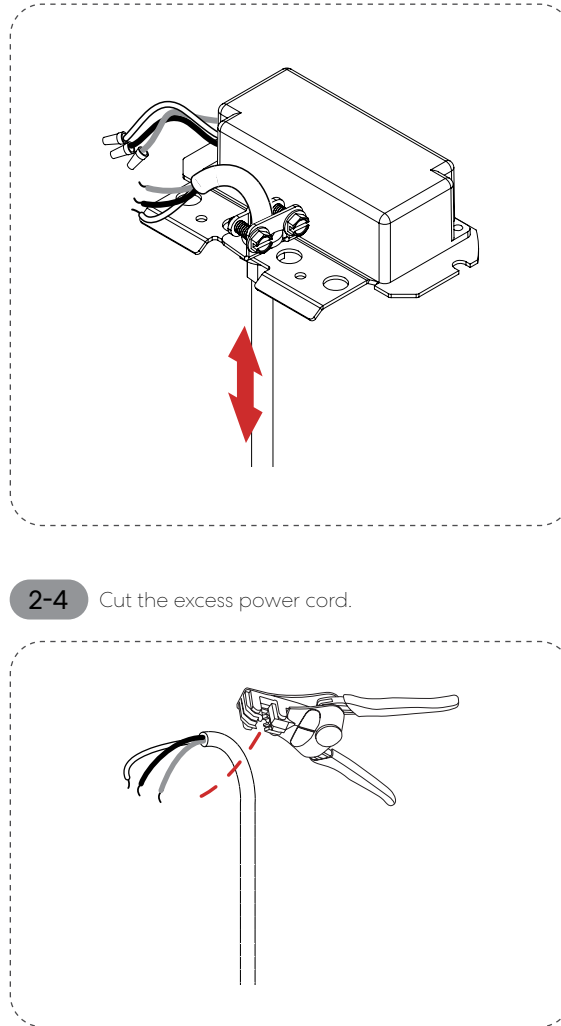
## POWER CORD

### 2 ADJUST POWER CORD LENGTH. OPTIONAL

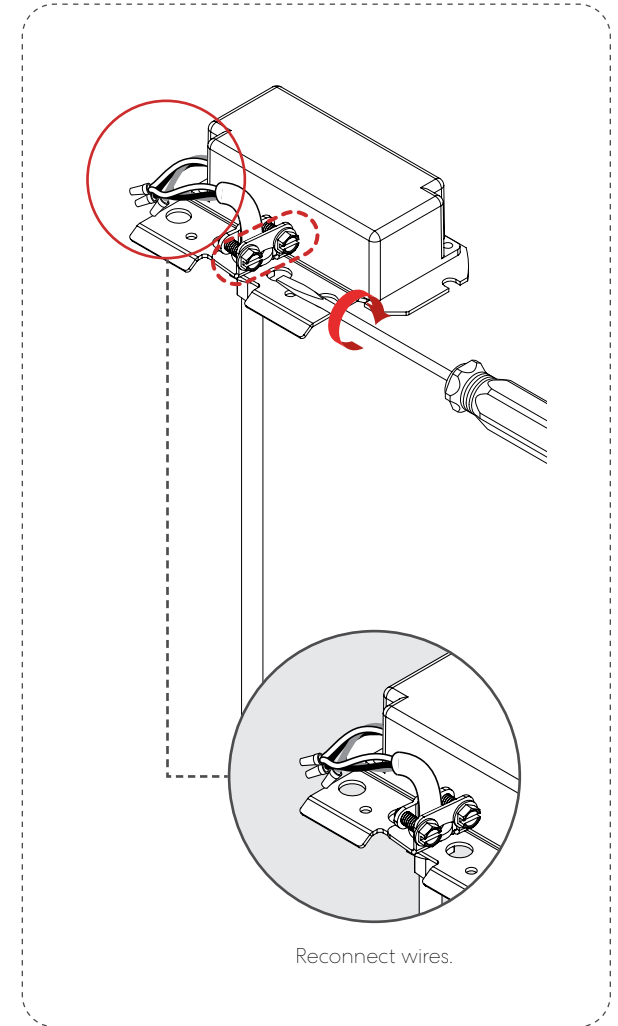
2-2 Untighten the cable holder.



2-3 Adjust power cord length.



2-5 Tighten the cable holder.



# CYLINDER / CUBOID

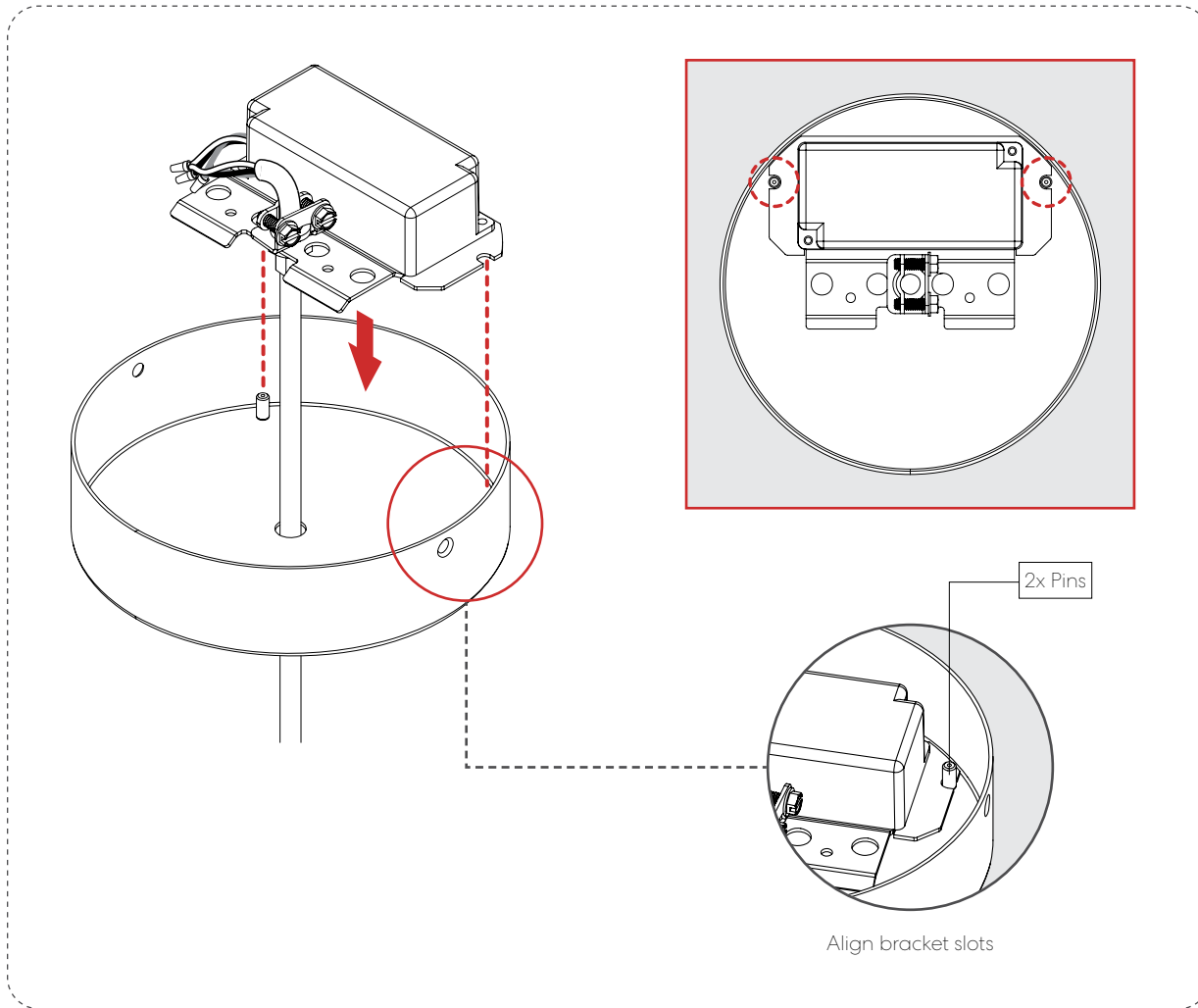
Pendant - Deep Canopy



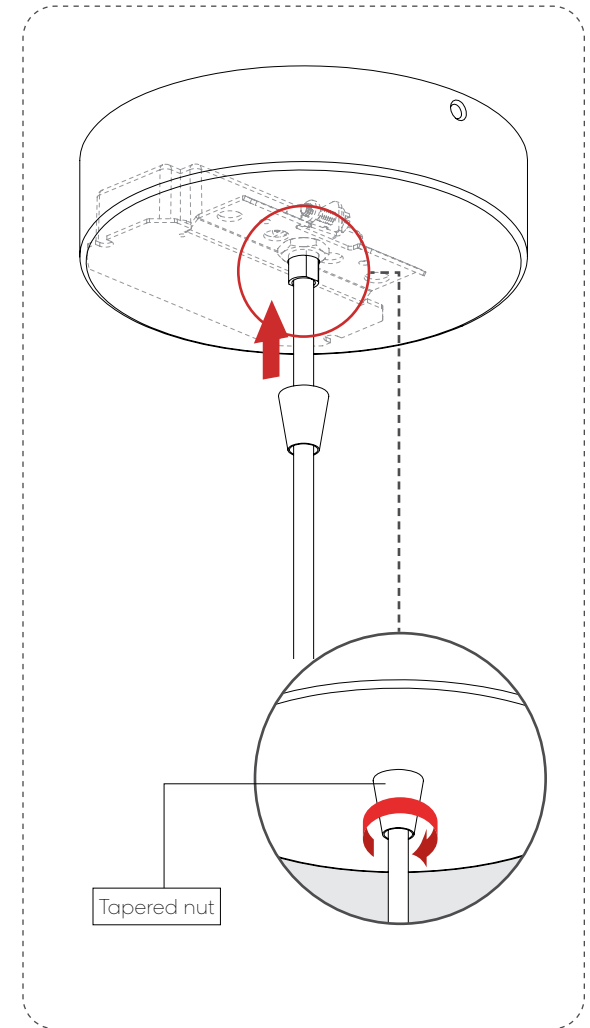
## POWER CORD

### 2 ADJUST POWER CORD LENGTH. OPTIONAL

2-6 Place the driver bracket.



2-7 Reattach the driver bracket.



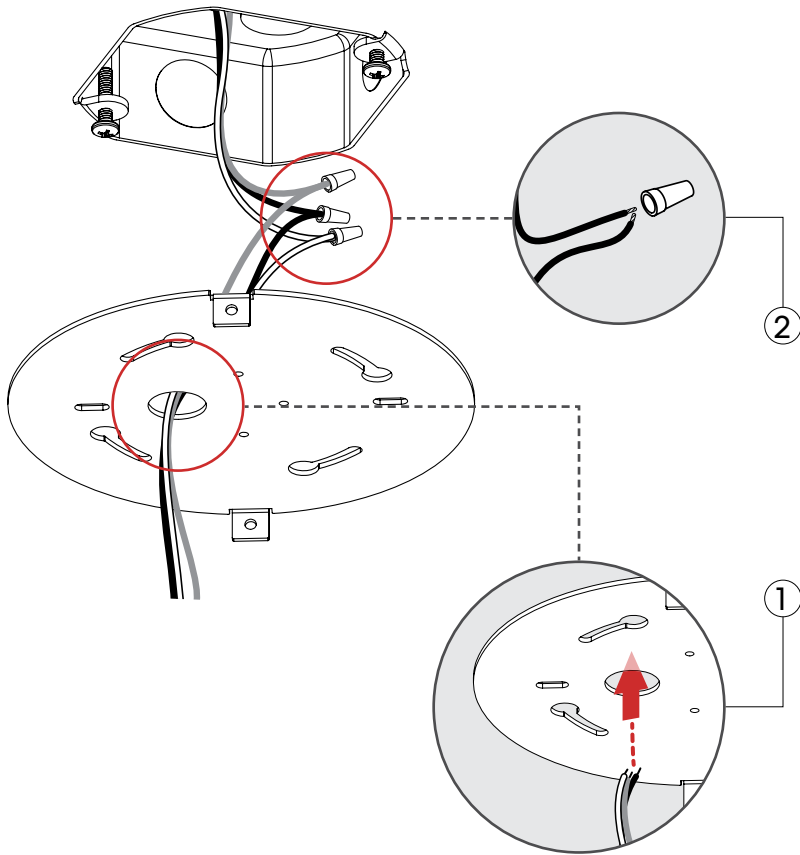
# CYLINDER / CUBOID

Pendant - Deep Canopy



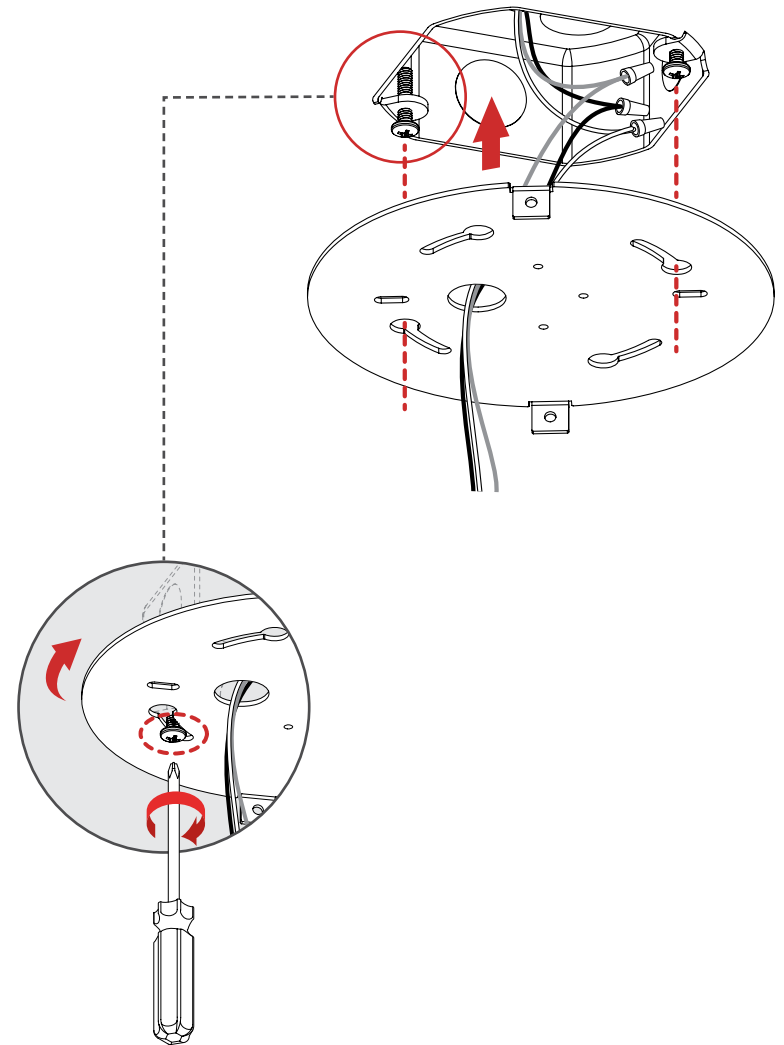
## POWER CORD

**3** MAKE ELECTRICAL CONNECTIONS.



**Note:** Number of wires may vary.

**4** FIX MOUNTING PLATE.



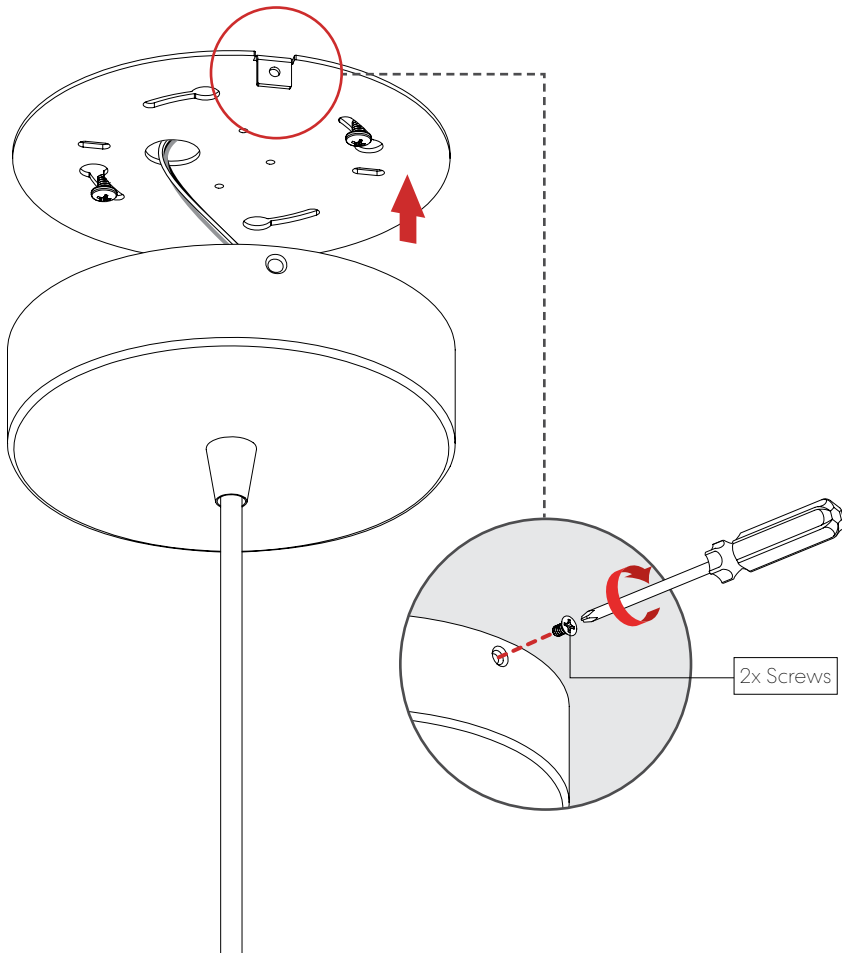
# CYLINDER / CUBOID

Pendant - Deep Canopy



POWER CORD

## 5 MOUNT CANOPY.

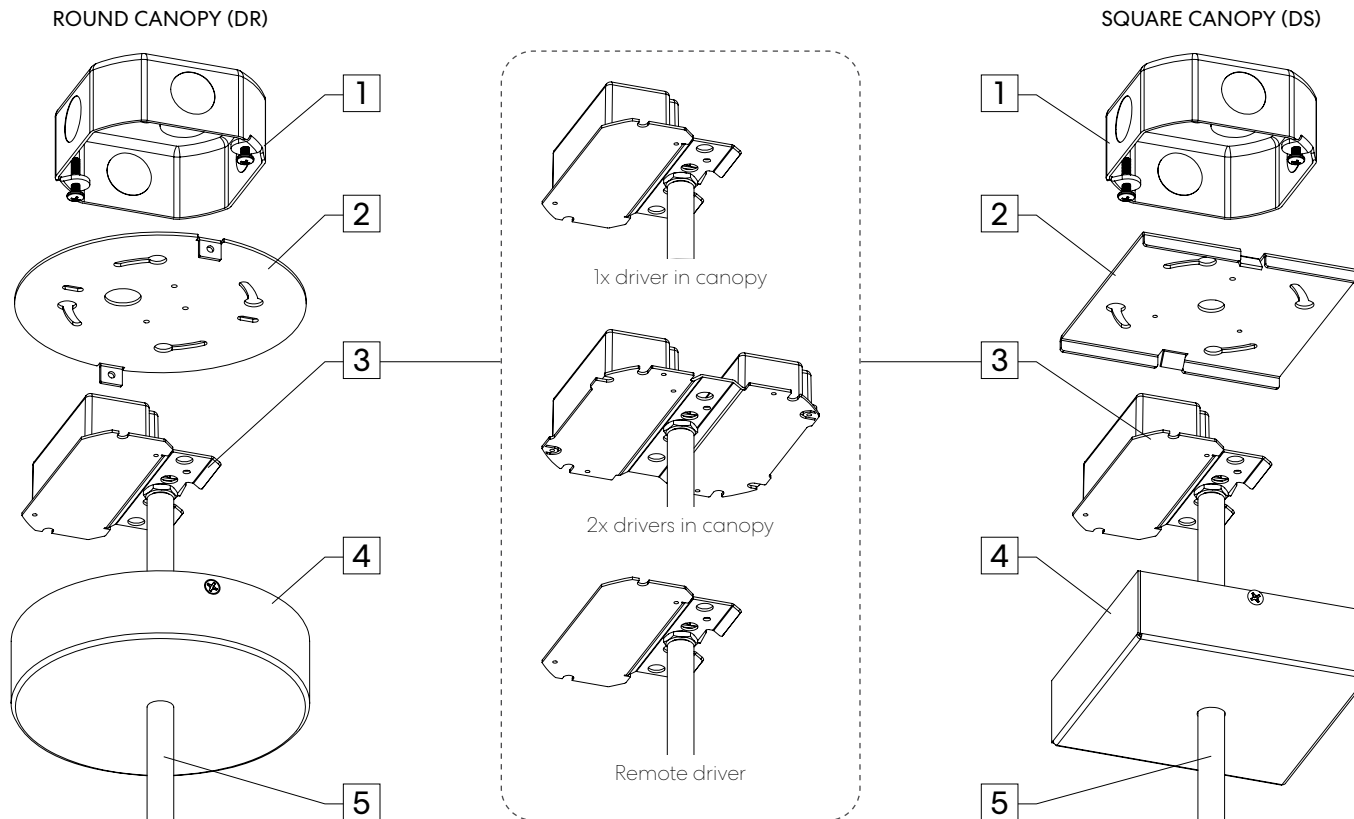


# CYLINDER / CUBOID

Pendant - Deep Canopy



## STEM



### ITEMS LIST


1	Standard J-box (by others)
2	Mounting plate
3	Driver bracket
4	Deep canopy
5	Stem

### TOOLS REQUIRED

- Phillips screwdriver
------------------------

### CANOPY SIZE

<b>ROUND</b>	Ø 5 5/8" Height 1 3/8"
<b>SQUARE</b>	4 5/8" x 4 5/8" Height 1 3/8"

 Instructions are shown with round canopy and 1x driver. Applicable to square canopy and all driver options.



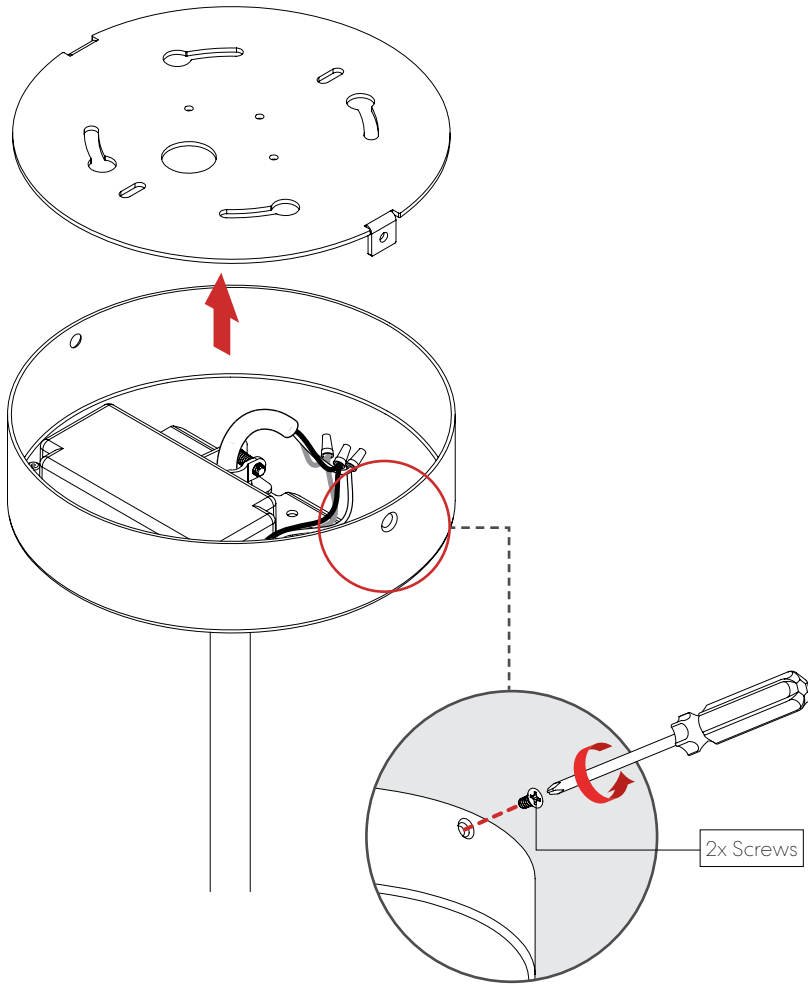
# CYLINDER / CUBOID

Pendant - Deep Canopy

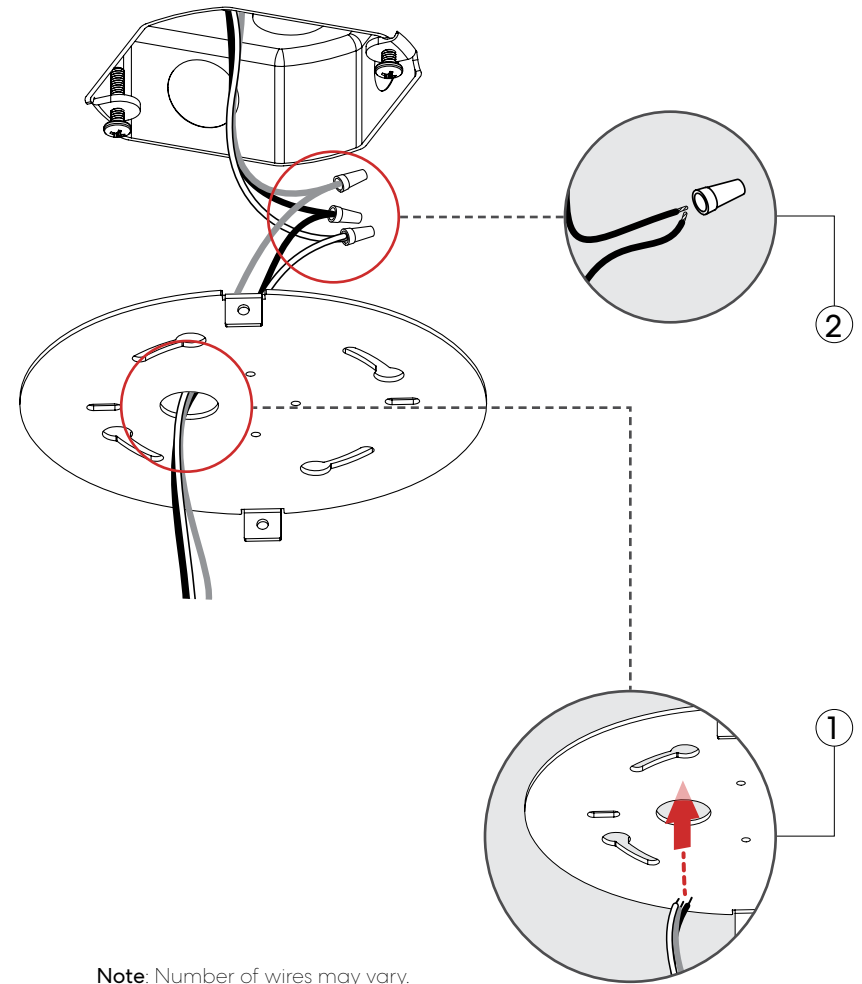


STEM

## 1 DETACH MOUNTING PLATE.



## 2 MAKE ELECTRICAL CONNECTIONS.



**Note:** Number of wires may vary.

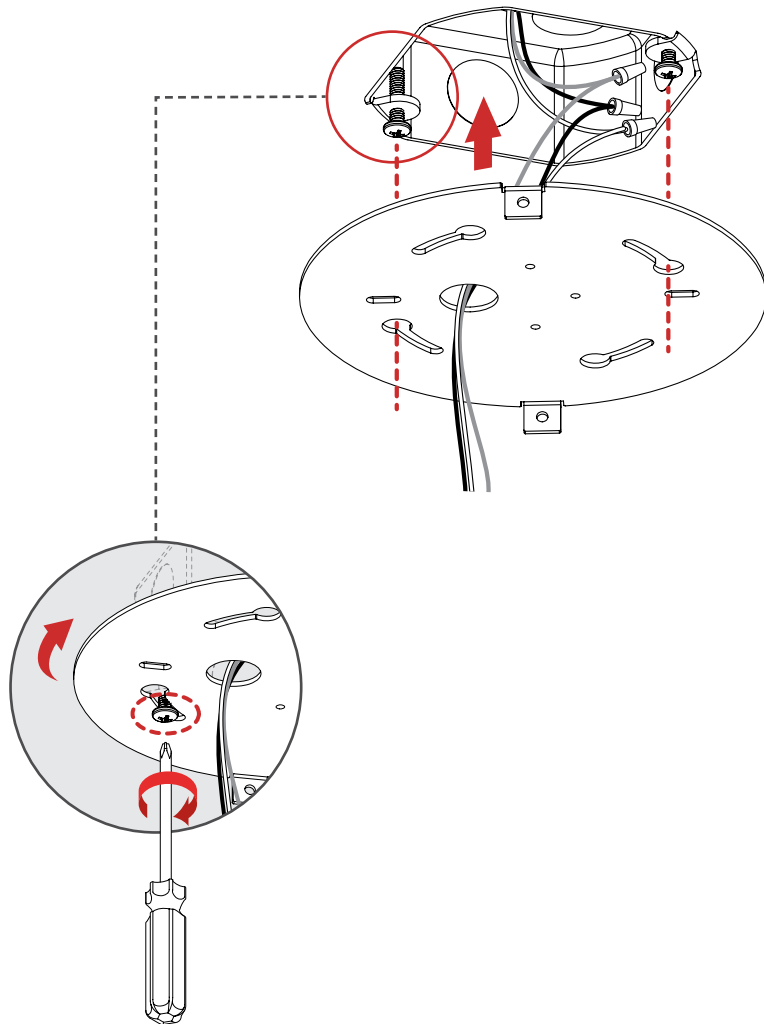
# CYLINDER / CUBOID

Pendant - Deep Canopy

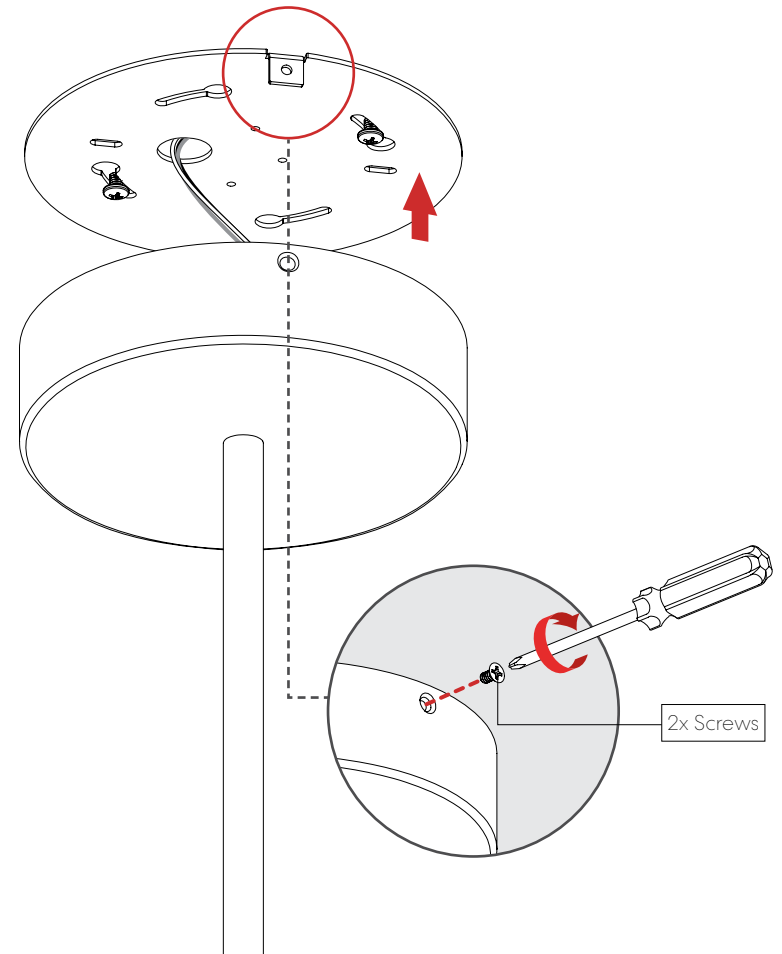


STEM

## 3 FIX MOUNTING PLATE.



## 4 MOUNT CANOPY.

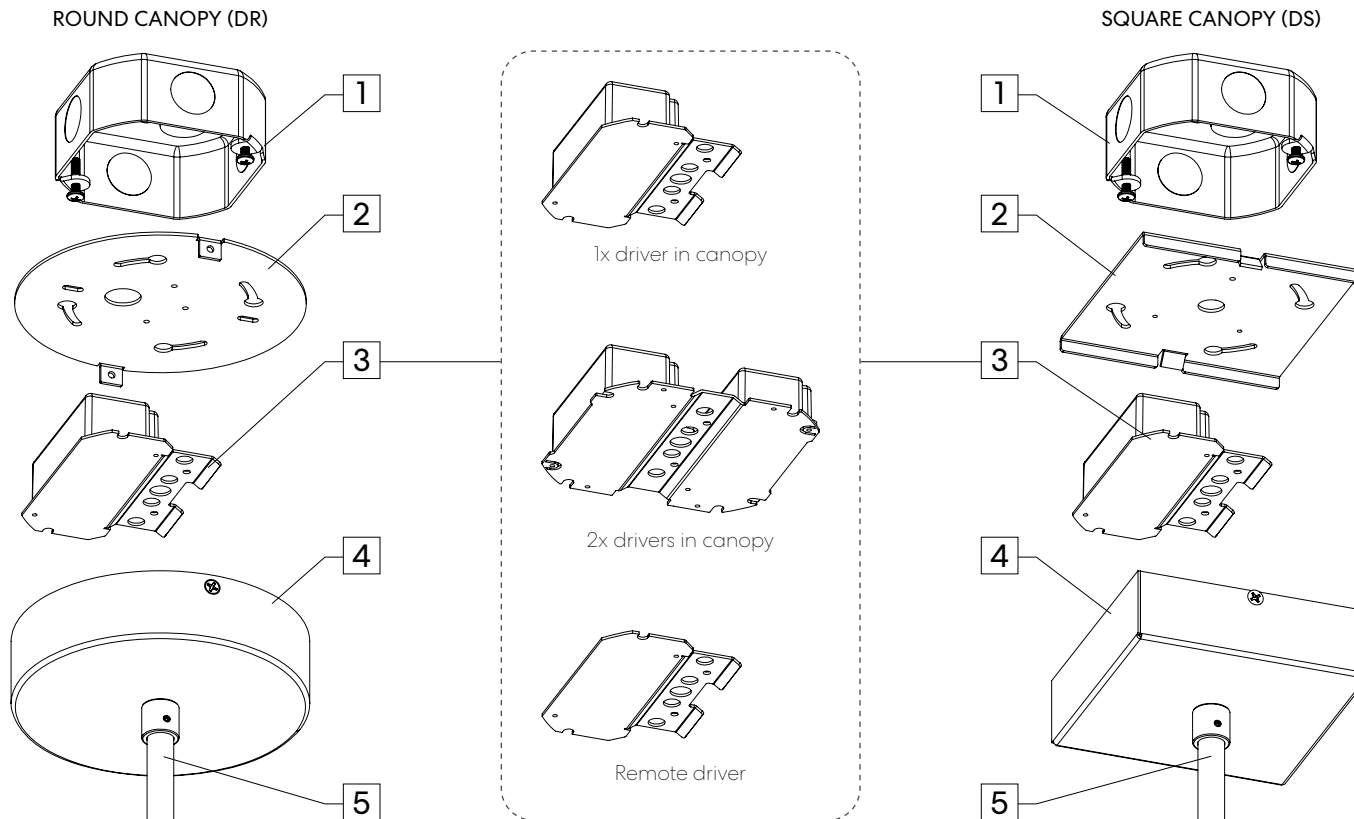


# CYLINDER / CUBOID

Pendant - Deep Canopy



## FIELD-CUTTABLE STEM



### ITEMS LIST


1	Standard J-box (by others)
2	Mounting plate
3	Driver bracket
4	Deep canopy
5	Field-cuttable stem

### TOOLS REQUIRED

- Phillips screwdriver
- Power cord cutter
- Wire stripper
- Allen key 5/64"
- 1/8" drill bit
- Hacksaw

### CANOPY SIZE

<b>ROUND</b>	Ø 5 5/8" Height 1 3/8"
<b>SQUARE</b>	4 5/8" x 4 5/8" Height 1 3/8"

 Instructions are shown with round canopy and 1x driver. Applicable to square canopy and all driver options.



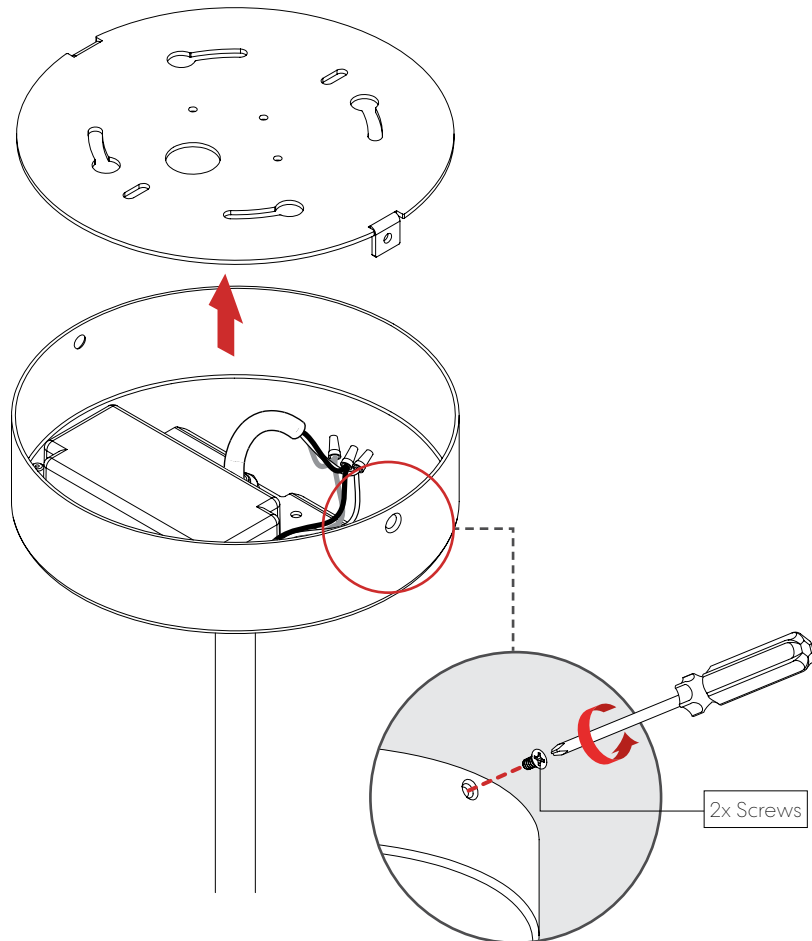
# CYLINDER / CUBOID

Pendant - Deep Canopy

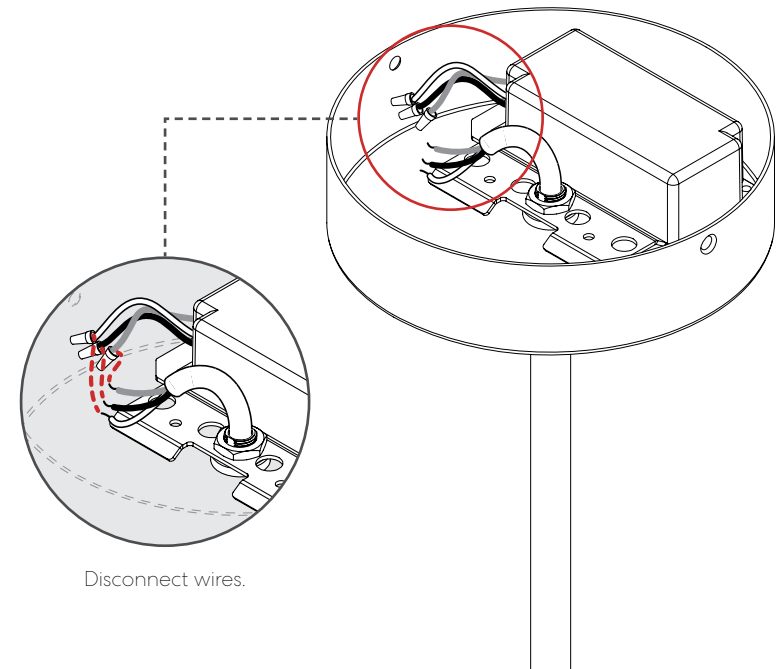


## FIELD-CUTTABLE STEM

**1** DETACH MOUNTING PLATE.



**2** DISCONNECT WIRES.



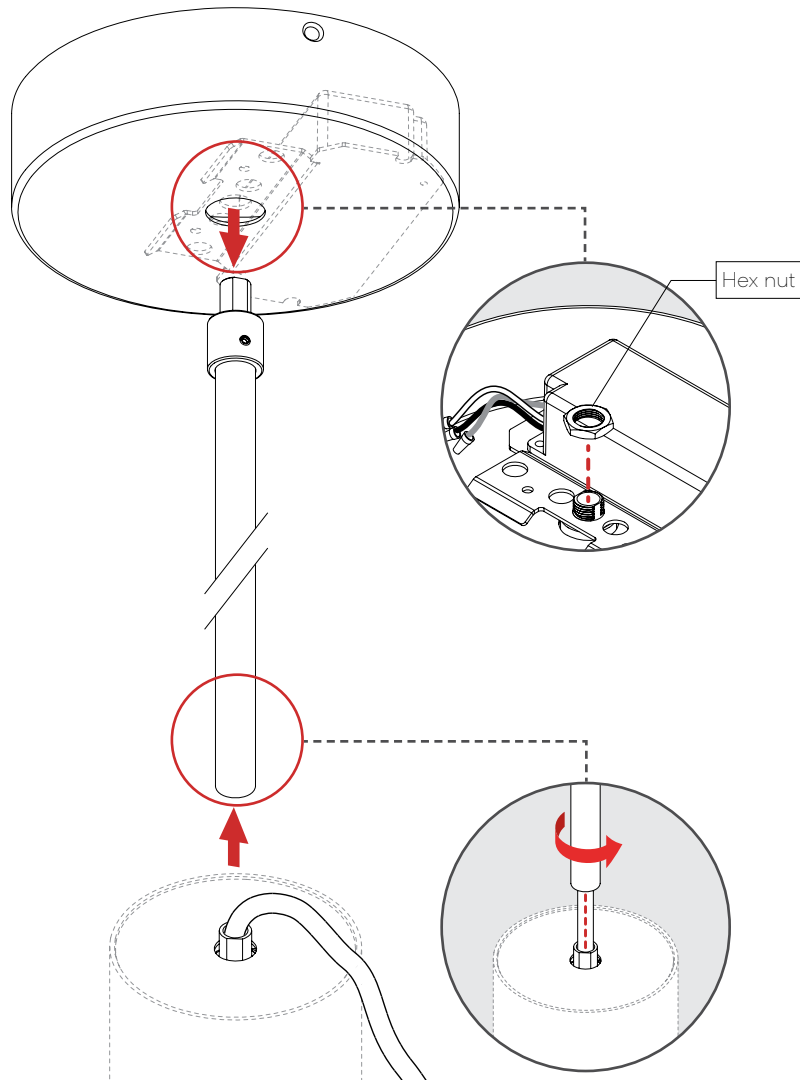
# CYLINDER / CUBOID

Pendant - Deep Canopy

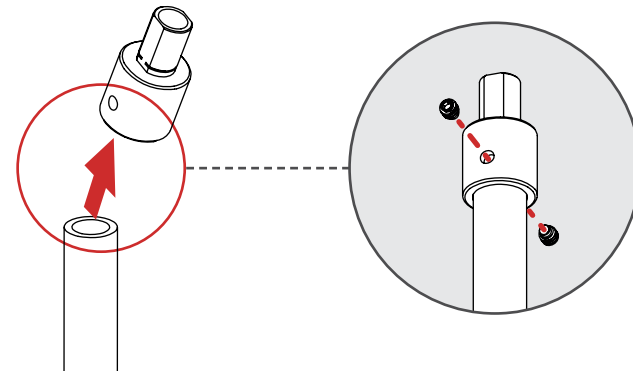


## FIELD-CUTTABLE STEM

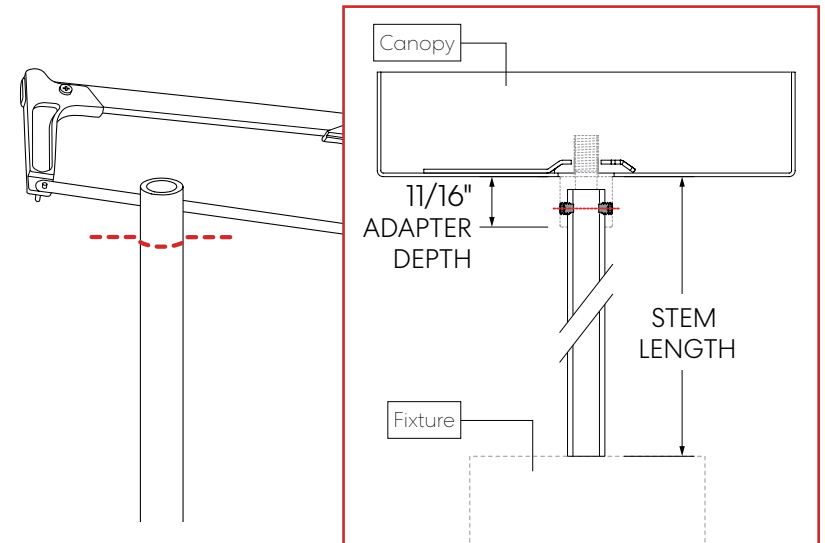
### 3 DETACH STEM.



### 4 DETACH ADAPTER.



### 5 CUT STEM.



**Note:** Deburr the stem to eliminate any sharp edges.



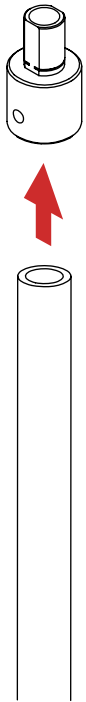
# CYLINDER / CUBOID

Pendant - Deep Canopy

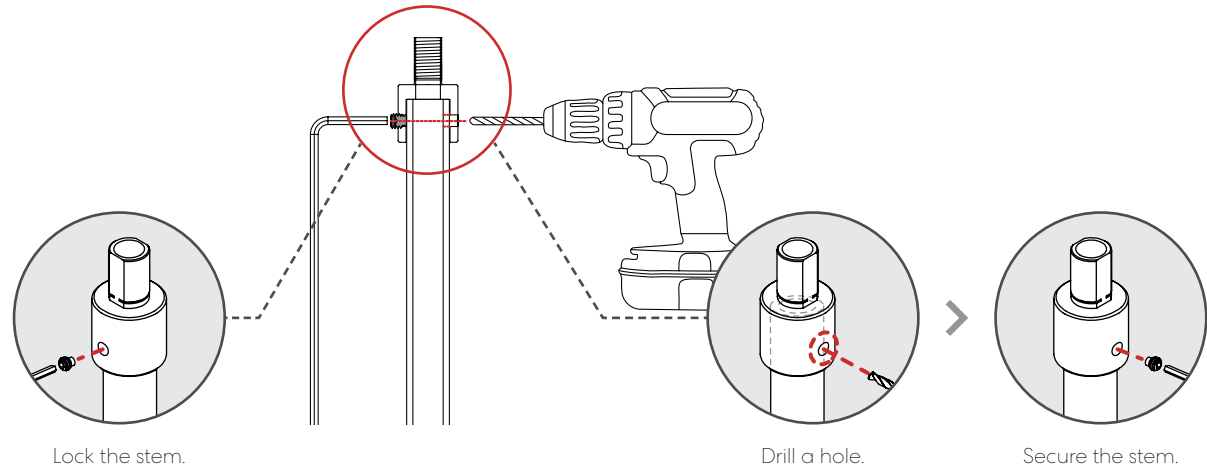


## FIELD-CUTTABLE STEM

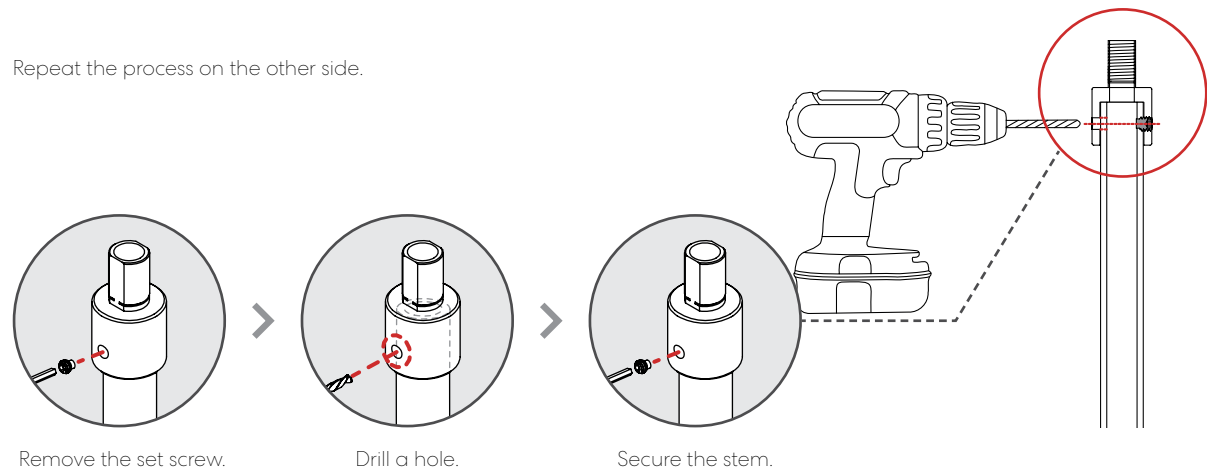
**6** INSERT STEM INTO ADAPTER.



**7** FIX STEM TO ADAPTER.



Repeat the process on the other side.



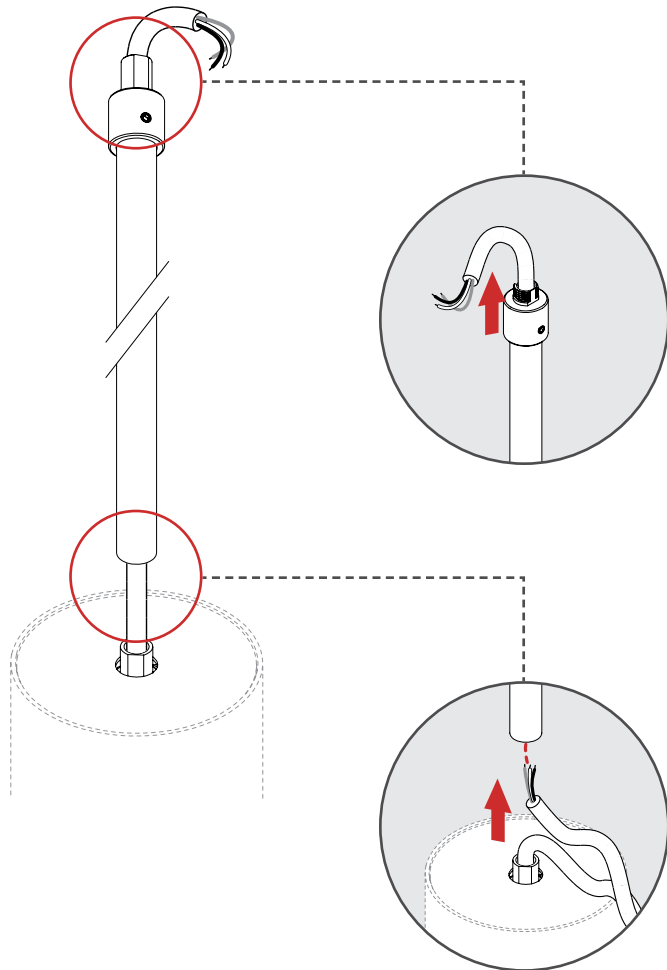
# CYLINDER / CUBOID

Pendant - Deep Canopy

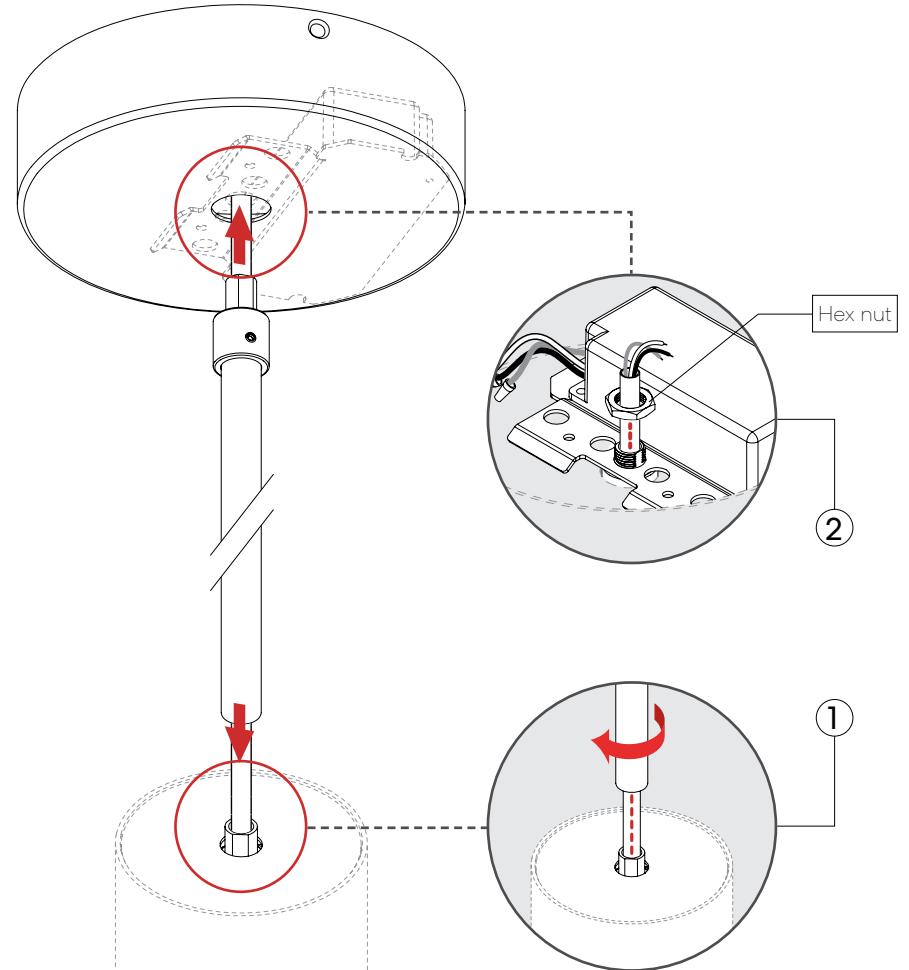


## FIELD-CUTTABLE STEM

**8** INSERT POWER CORD.



**9** REINSTALL STEM ONTO FIXTURE AND DRIVER BRACKET.



**Note:** Hold the power cord at the top to prevent it from twisting.



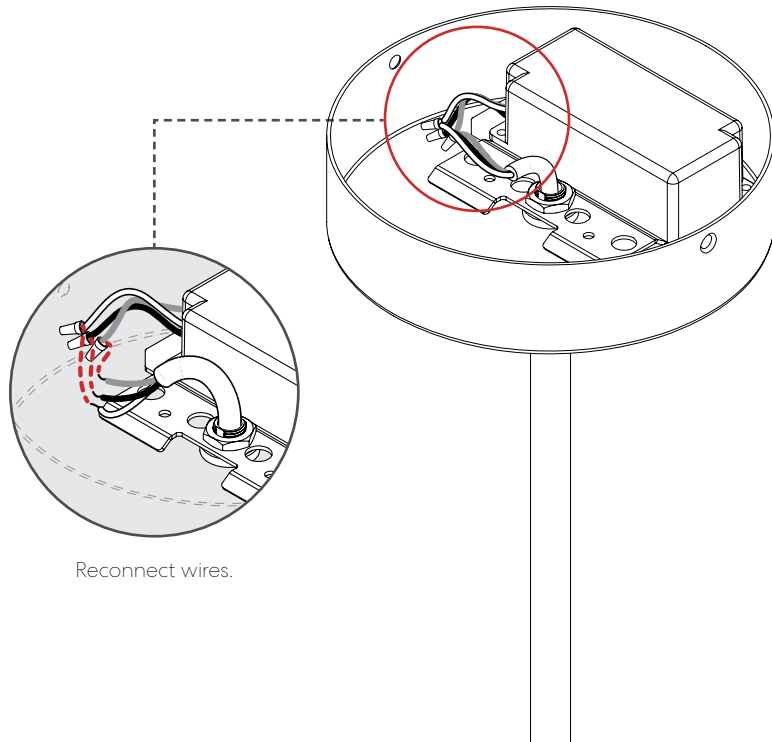
# CYLINDER / CUBOID

Pendant - Deep Canopy



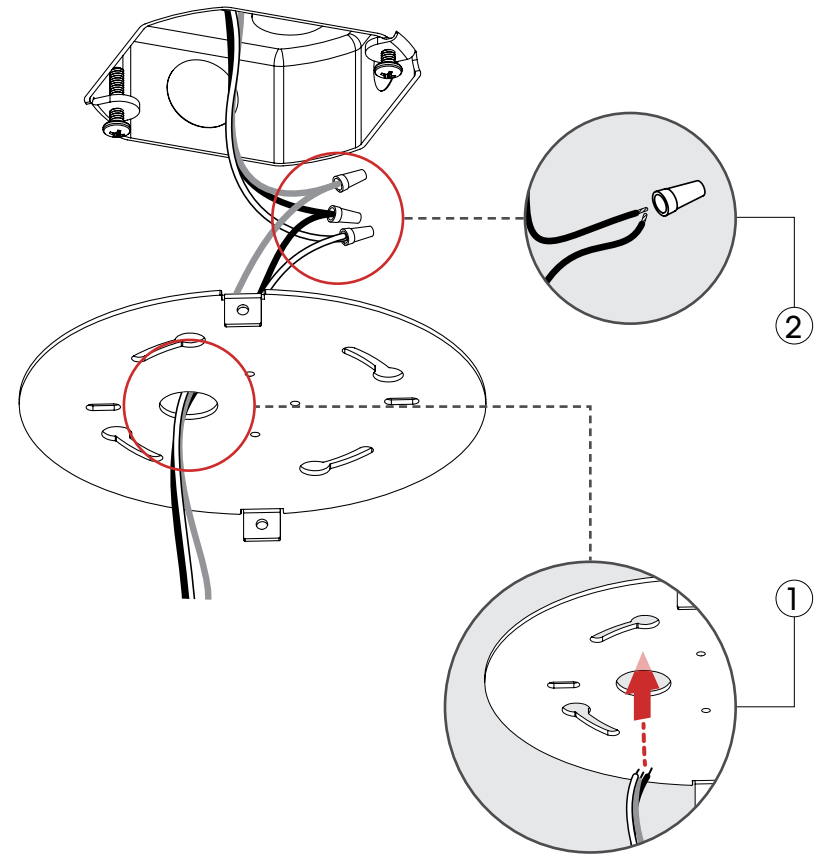
## FIELD-CUTTABLE STEM

**10** RECONNECT WIRES.



Reconnect wires.

**11** MAKE ELECTRICAL CONNECTIONS.



**Note:** Number of wires may vary.

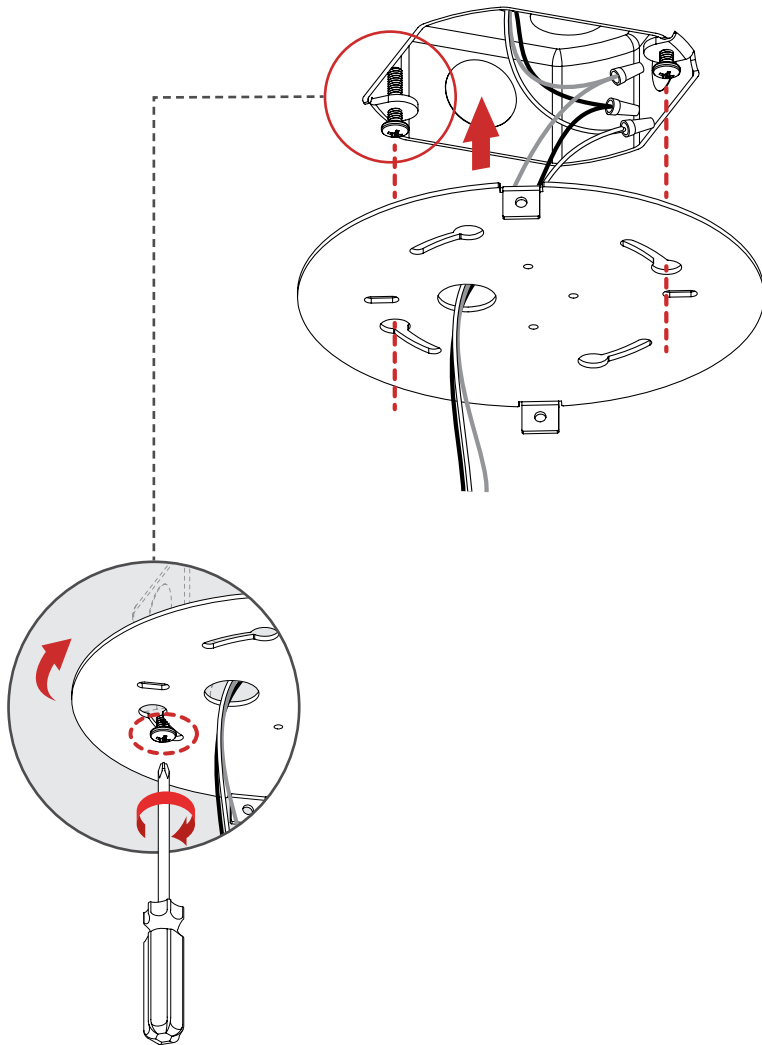
# CYLINDER / CUBOID

Pendant - Deep Canopy



## FIELD-CUTTABLE STEM

### 12 FIX MOUNTING PLATE.



### 13 MOUNT CANOPY.

