




## INSTALLATION INSTRUCTIONS

 This product must be installed in accordance with the National Electrical Code and all applicable local codes, by a person familiar with the construction and operation of the product, and the hazards involved. Proper grounding is required for safety.

Ce produit doit être installé suivant le code national de l'électricité, ainsi que tous les codes locaux applicables, par une personne familière avec la construction et le fonctionnement du produit, ainsi que tous les risques qui y sont associés. La mise à terre électrique est obligatoire pour la sécurité.

 Disconnect power before installation or servicing.


 Do not cover the light element lens or heatsink with any materials or adhesive tapes when the fixture is powered.

 Handle the LED cartridge carefully during removal and installation. Tools must not touch the LED chips. Contact may result in damage and LED failure.

 Wire dimming conductors as Class 1.

 A luminaire with more than one power supply connection means shall be connected to only one branch circuit.

 For luminaires specified as recessed, clearance between the sides of the luminaire and parts of the building must be 1/2" minimum; clearance to insulating materials to be 3" minimum, unless luminaire is IC rated.

 For luminaires installed in wet locations, properly seal all mounting and electrical points.

 Warranty claims will not be accepted if incorrect driver or light element is used.

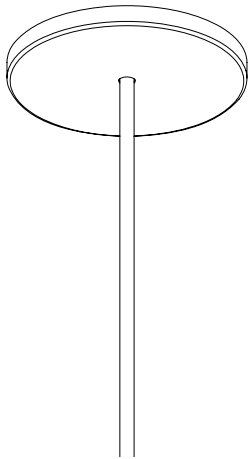
# CYLINDER / CUBOID

Pendant - Flat Canopy

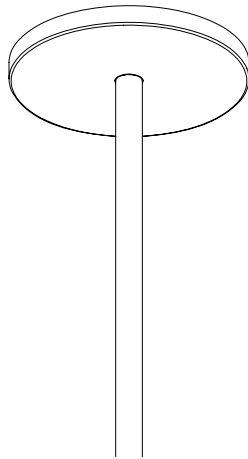


## INSTALLATION INSTRUCTIONS

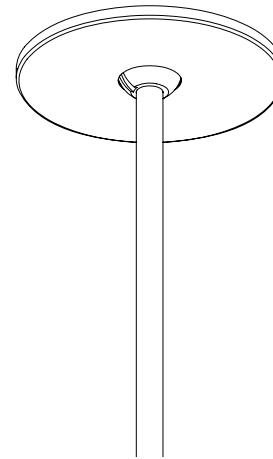
POWER CORD



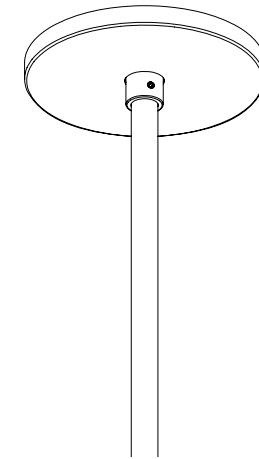
STEM



SWIVEL STEM



FIELD-CUTTABLE STEM



Go to the section specific to your suspension option.



For electrical connections, please refer to the [wiring diagram guide](#).



For remote driver box installation instructions, please refer to the [remote driver installation sheet](#).



Shown with round canopy.  
Applicable to square canopy.

### INDEX

Power cord.....	<a href="#">P.3</a>
Stem.....	<a href="#">P.7</a>
Swivel stem.....	<a href="#">P.10</a>
Field-cutable stem.....	<a href="#">P.16</a>

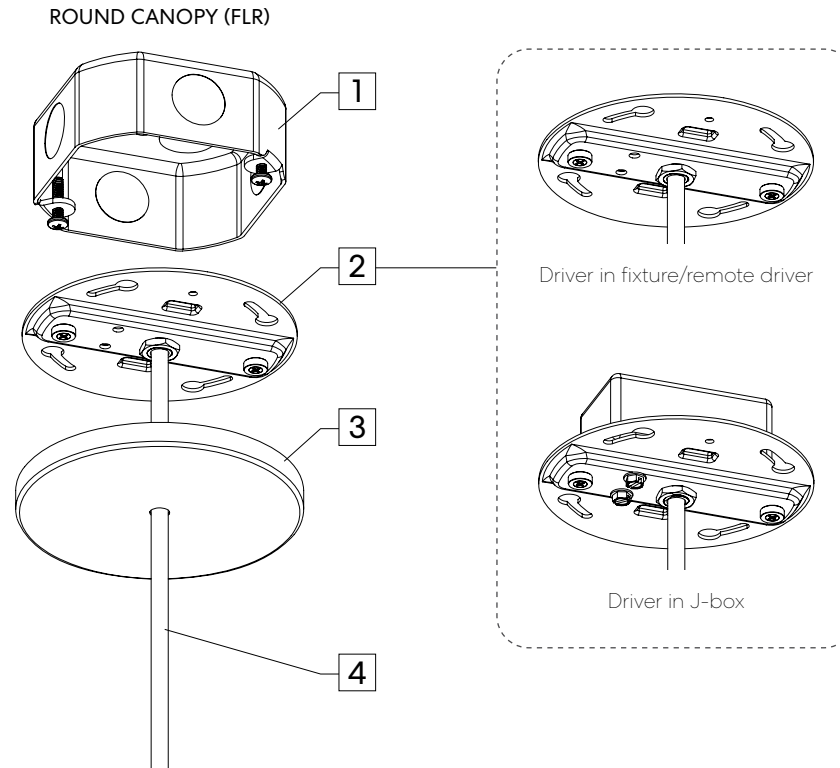


# CYLINDER / CUBOID

Pendant - Flat Canopy



## POWER CORD



### ITEMS LIST

1	Standard J-box (by others)
2	Mounting plate
3	Flat canopy
4	Power cord

### TOOLS REQUIRED

- Flat head screwdriver
- Phillips screwdriver
- Power cord cutter (as required)
- Wire stripper (as required)

### CANOPY SIZE

<b>ROUND</b>	Ø 4 1/2" Height 3/8"
--------------	-------------------------

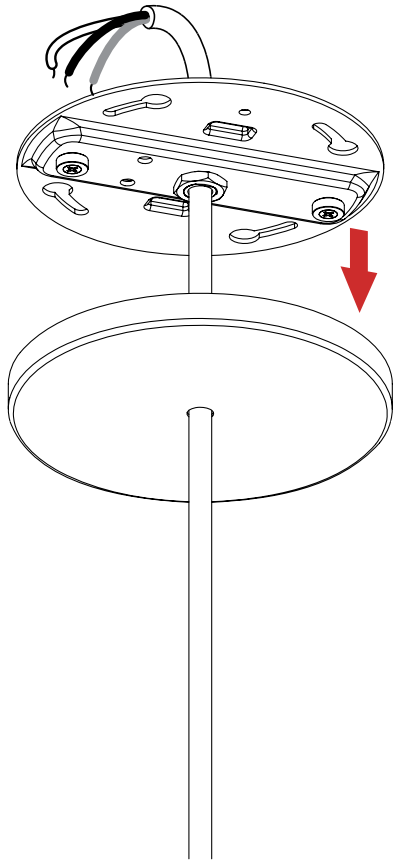
# CYLINDER / CUBOID

Pendant - Flat Canopy



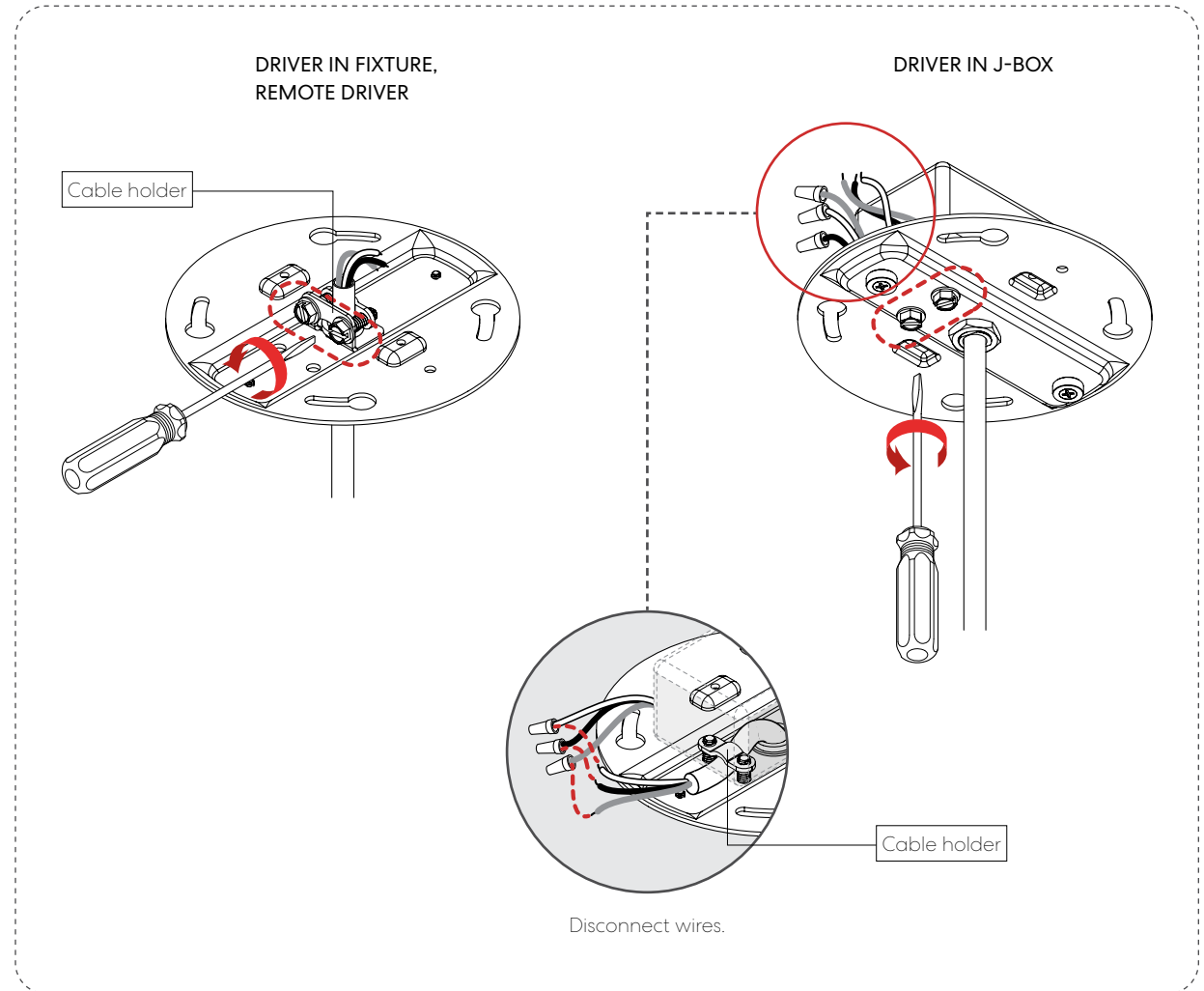
## POWER CORD

**1** DETACH CANOPY.



**2** ADJUST POWER CORD LENGTH. **OPTIONAL**

**2-1** Untighten the cable holder.



# CYLINDER / CUBOID

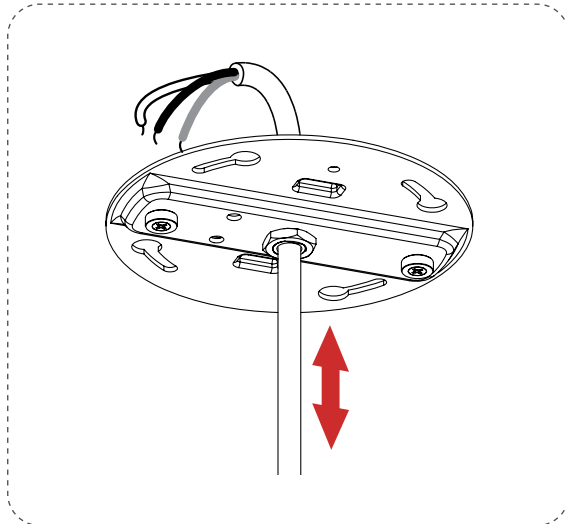
Pendant - Flat Canopy



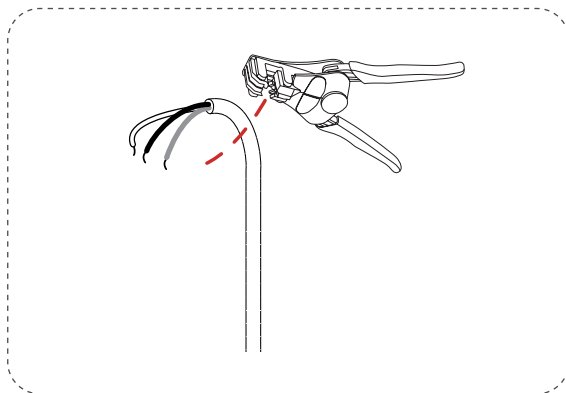
## POWER CORD

### 2 ADJUST POWER CORD LENGTH. OPTIONAL

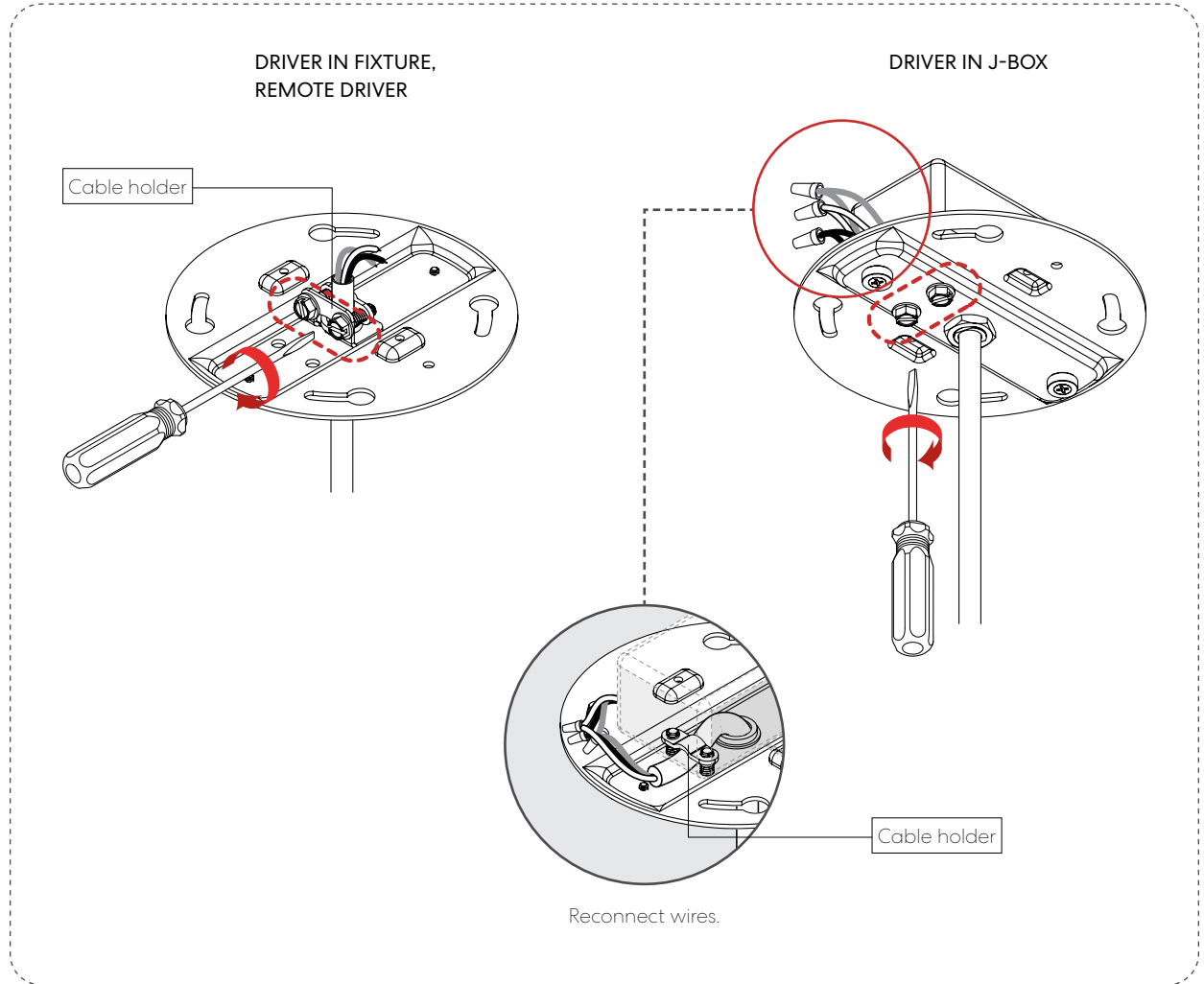
2-2 Adjust power cord length.



2-3 Cut the excess power cord.



2-4 Tighten the cable holder.



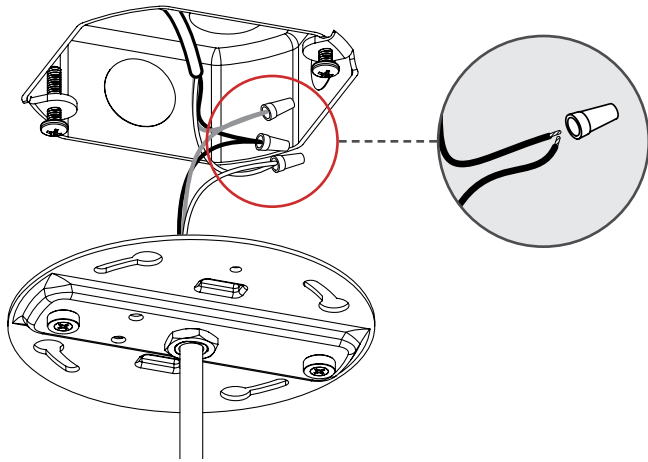
# CYLINDER / CUBOID

Pendant - Flat Canopy



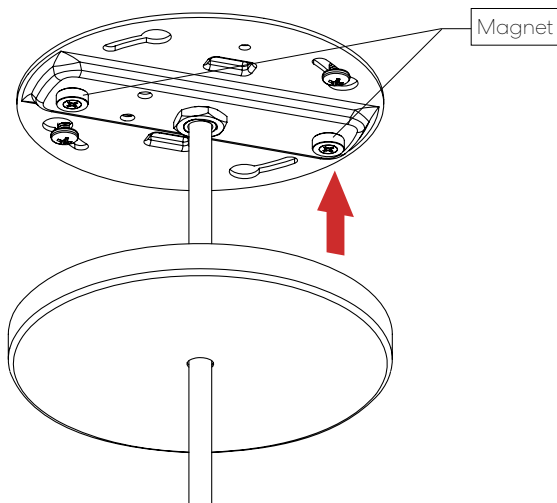
## POWER CORD

### 3 MAKE ELECTRICAL CONNECTIONS.

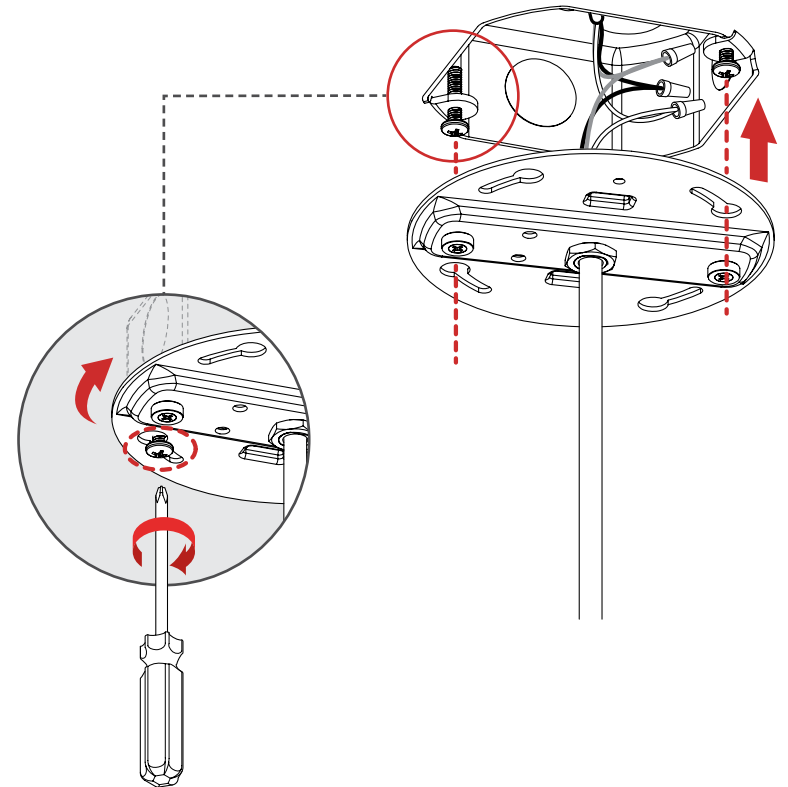


Note: Number of wires may vary.

### 5 MOUNT CANOPY.



### 4 FIX MOUNTING PLATE.

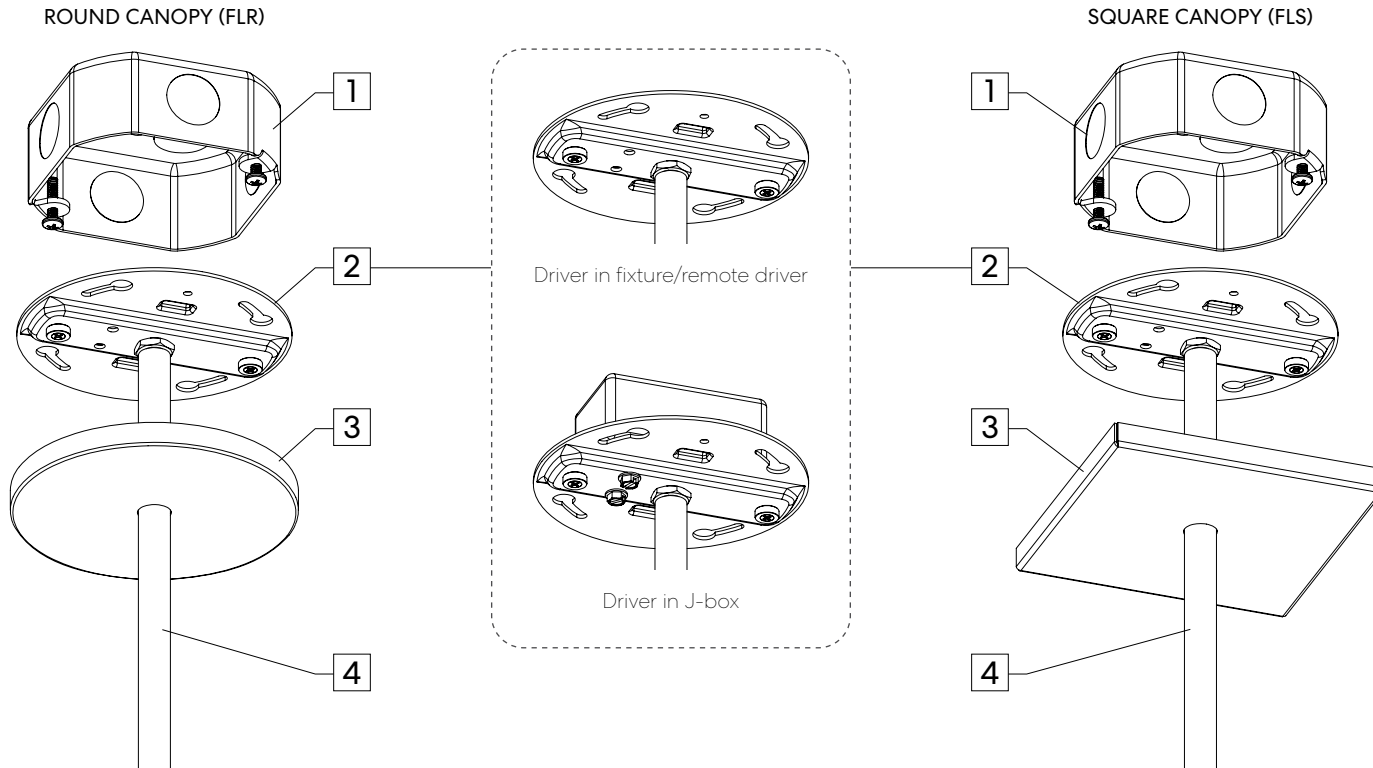


# CYLINDER / CUBOID

Pendant - Flat Canopy



## STEM



### ITEMS LIST


1	Standard J-box (by others)
2	Mounting plate
3	Flat canopy
4	Stem

### TOOLS REQUIRED

- Phillips screwdriver
------------------------

### CANOPY SIZE

<b>ROUND</b>	Ø 4 1/2" Height 3/8"
<b>SQUARE</b>	4 1/2" x 4 1/2" Height 3/8"

 Instructions are shown with round canopy. Applicable to square canopy.



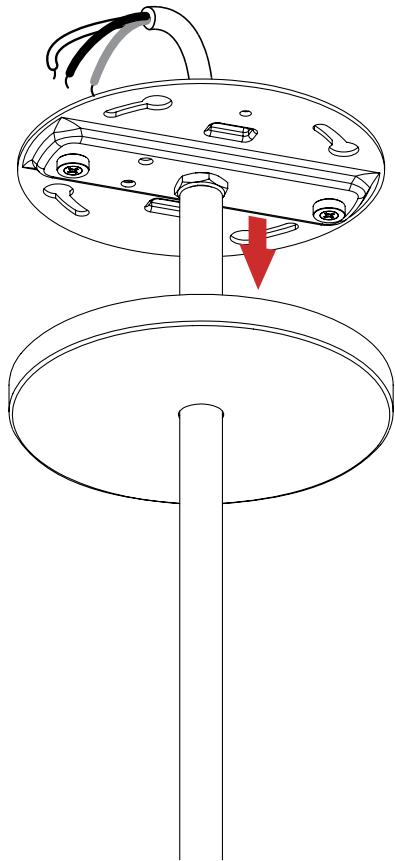
# CYLINDER / CUBOID

Pendant - Flat Canopy

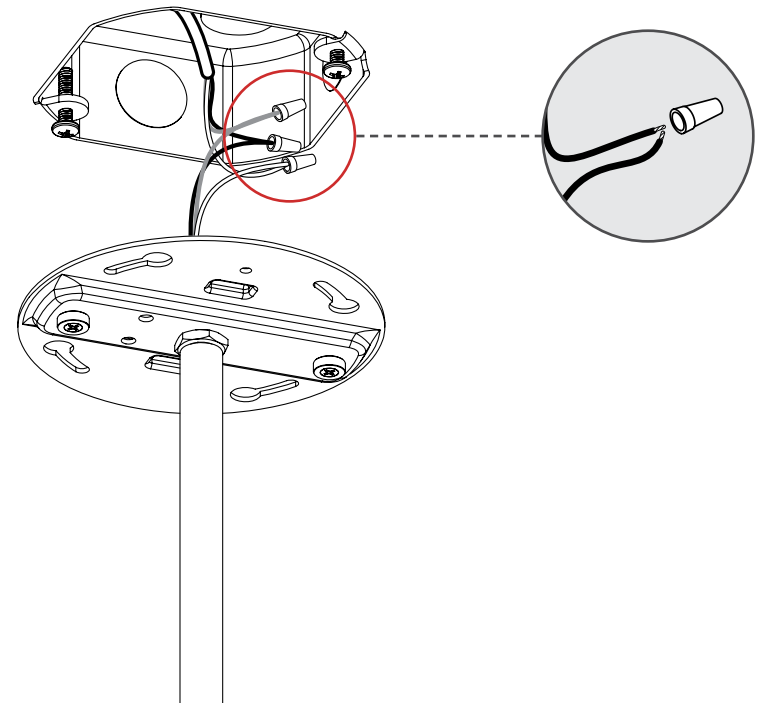


STEM

**1** DETACH CANOPY.



**2** MAKE ELECTRICAL CONNECTIONS.



**Note:** Number of wires may vary.

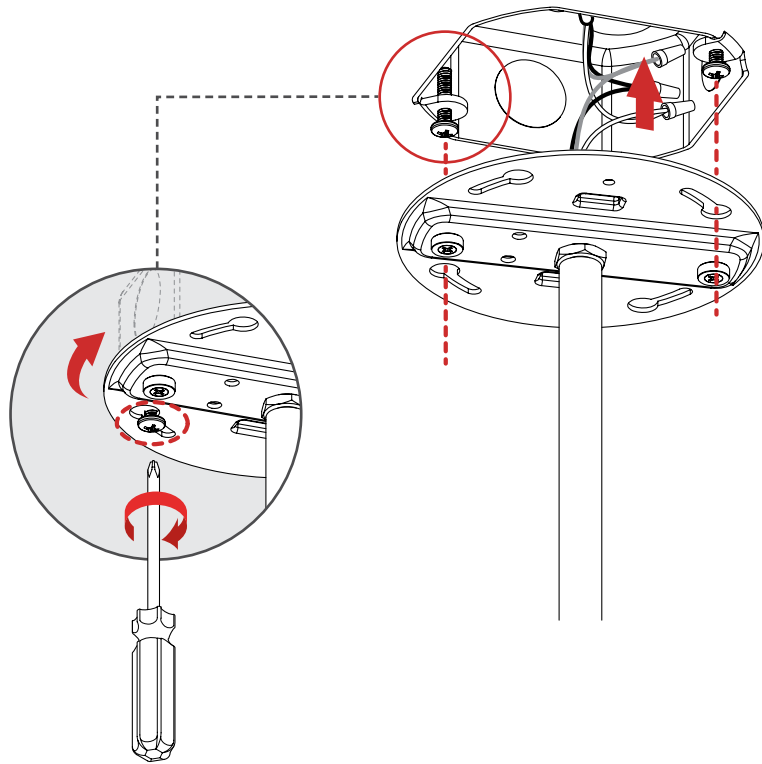
# CYLINDER / CUBOID

Pendant - Flat Canopy

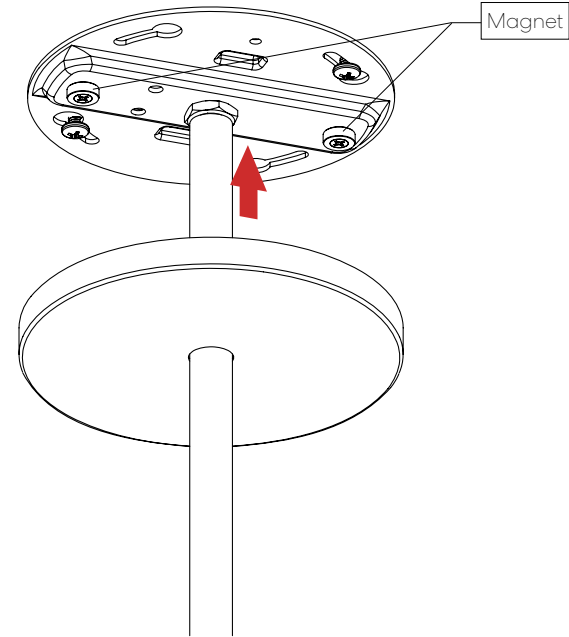


STEM

## 3 FIX MOUNTING PLATE.



## 4 MOUNT CANOPY.

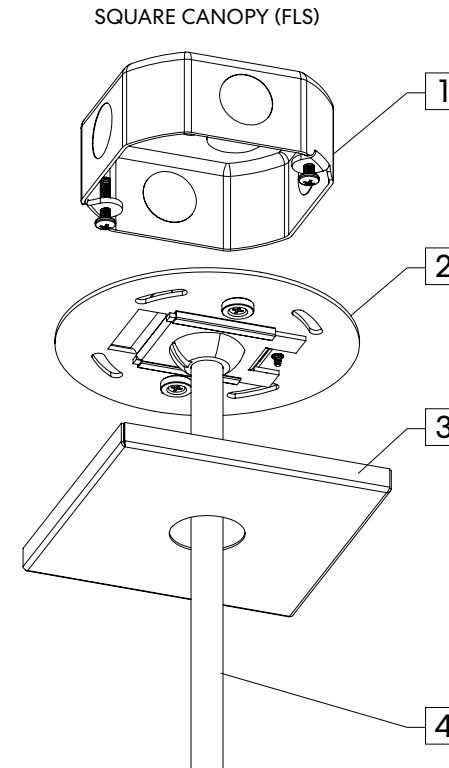
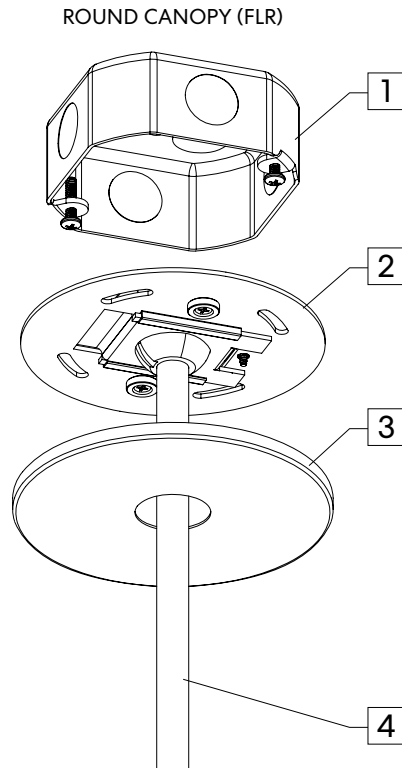


# CYLINDER / CUBOID

Pendant - Flat Canopy



## SWIVEL STEM



### ITEMS LIST


1	Standard J-box (by others)
2	Mounting plate
3	Flat canopy
4	Swivel stem

### TOOLS REQUIRED

- Flat head screwdriver
- Phillips screwdriver
- Power cord cutter (as required)
- Wire stripper (as required)
- Allen key 5/64" (as required)
- 1/8" drill bit (as required)
- Hacksaw (as required)

### CANOPY SIZE

ROUND	Ø 5"
	Height 1/4"
SQUARE	5" x 5"
	Height 1/4"

 Instructions are shown with round canopy. Applicable to square canopy.



# CYLINDER / CUBOID

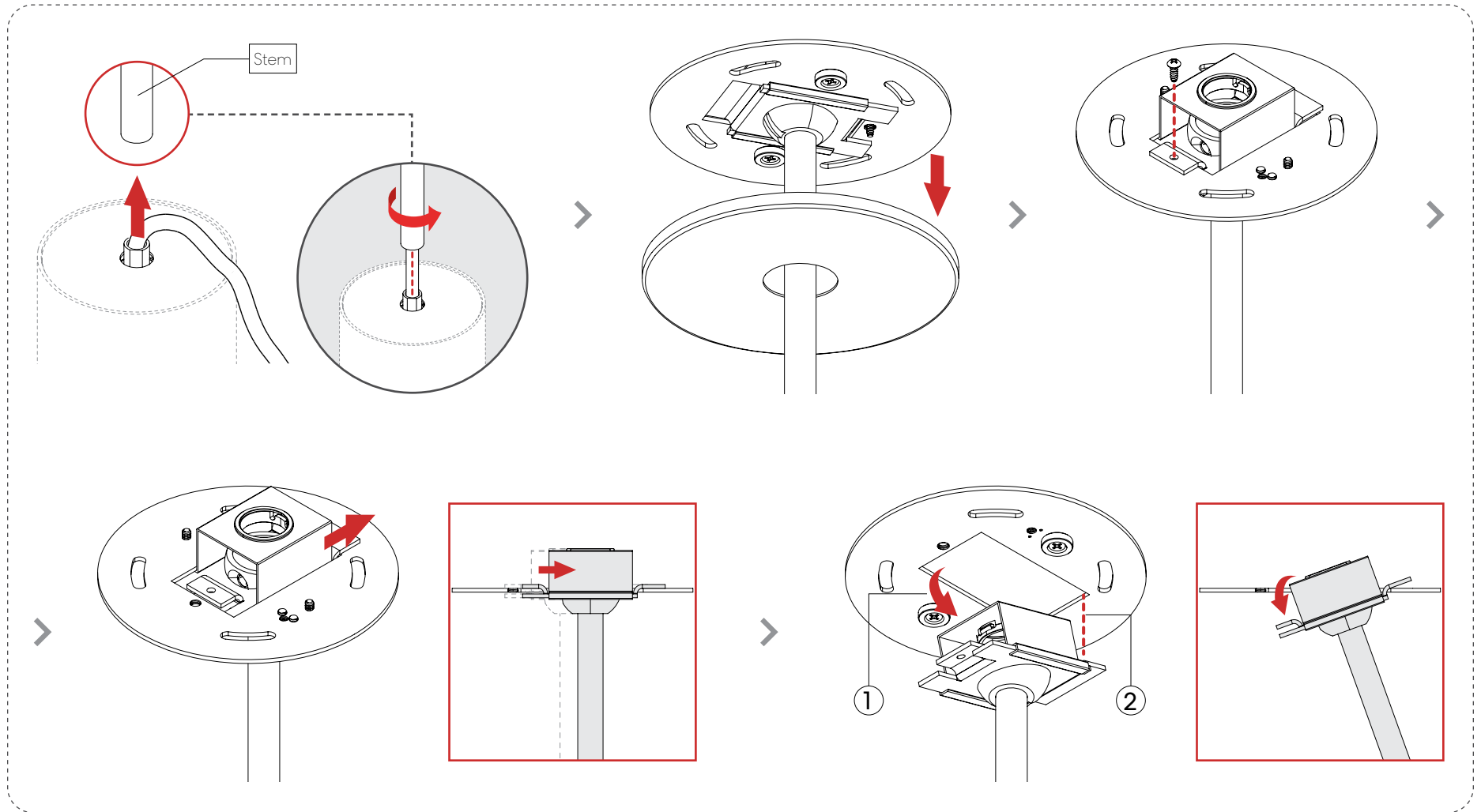
Pendant - Flat Canopy



## SWIVEL STEM

### 1 ADJUST STEM / POWER CORD LENGTH. **OPTIONAL**

1-1 Detach swivel stem assembly.



# CYLINDER / CUBOID

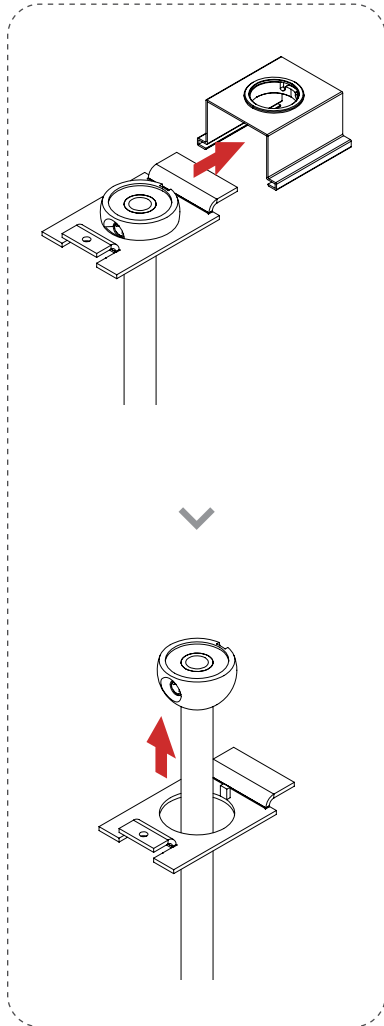
Pendant - Flat Canopy



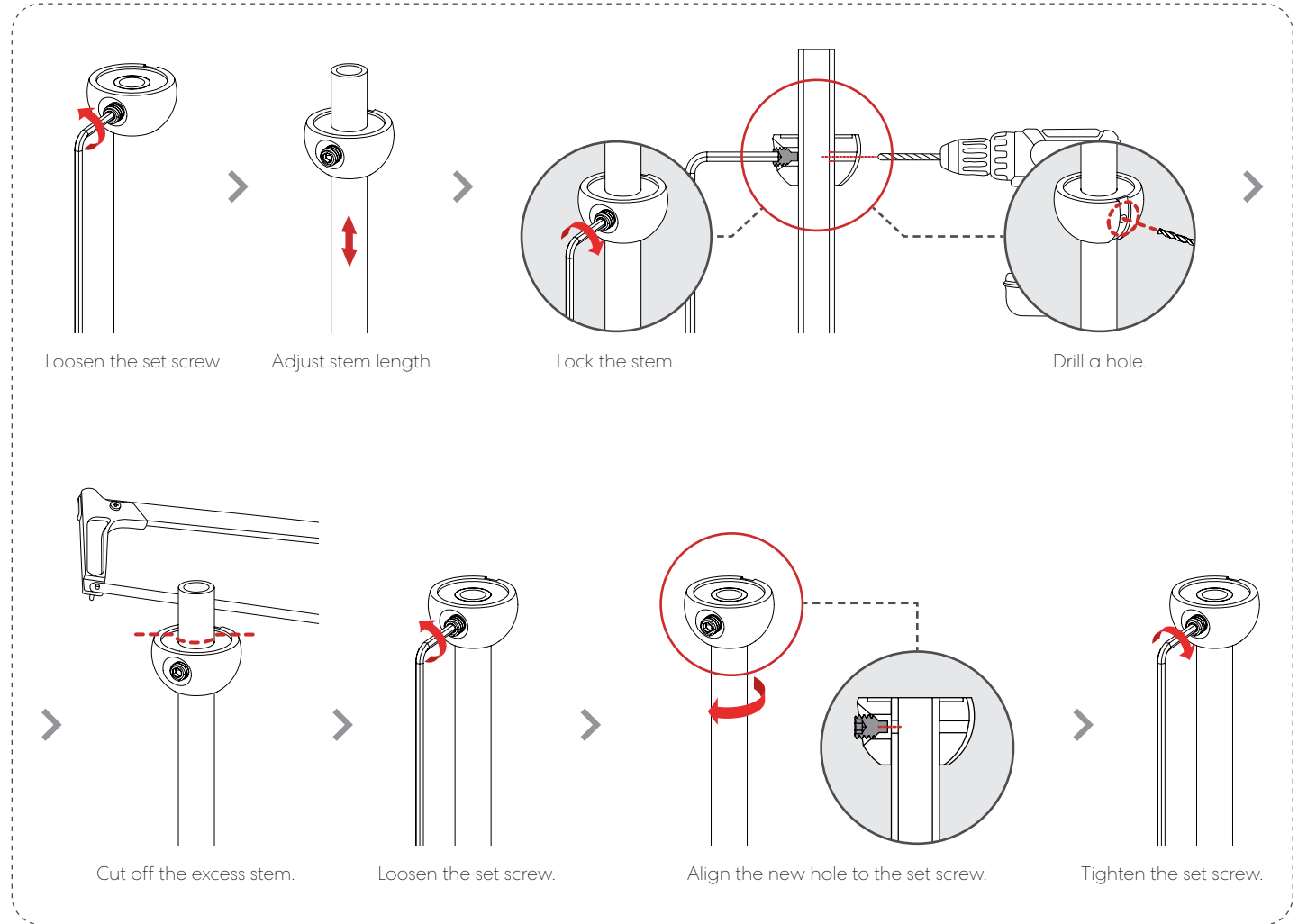
## SWIVEL STEM

### 1 ADJUST STEM / POWER CORD LENGTH. **OPTIONAL**

1-2 Detach swivel stem.



1-3 Adjust stem length.



# CYLINDER / CUBOID

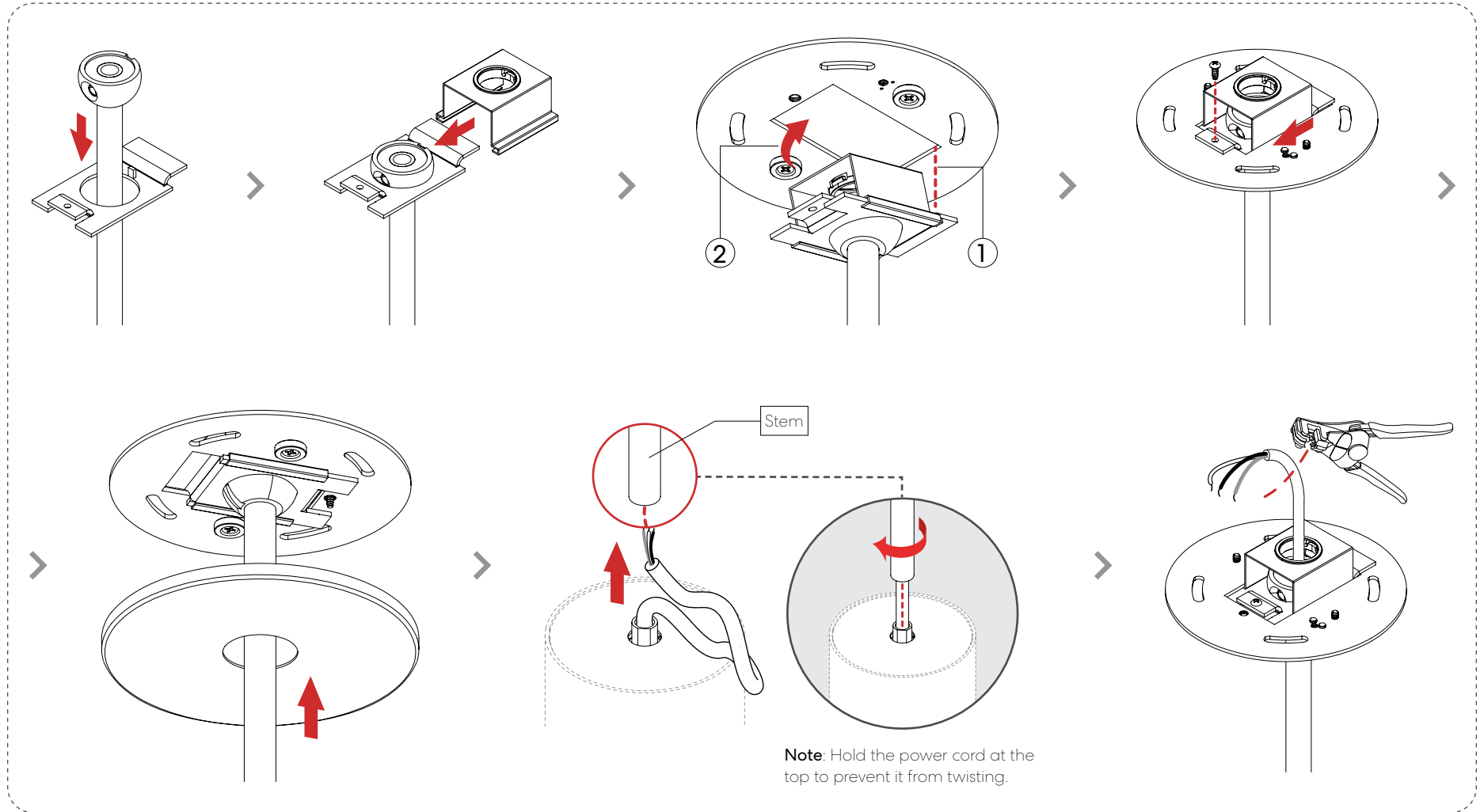
Pendant - Flat Canopy



## SWIVEL STEM

### 1 ADJUST STEM / POWER CORD LENGTH. **OPTIONAL**

1-4 Reassemble swivel stem & adjust power cord length.



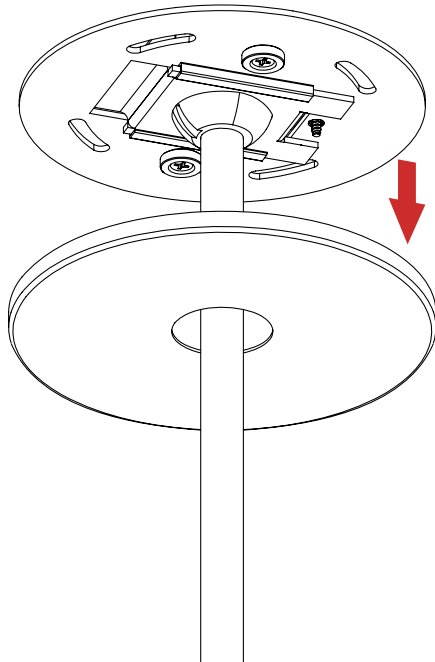
# CYLINDER / CUBOID

Pendant - Flat Canopy

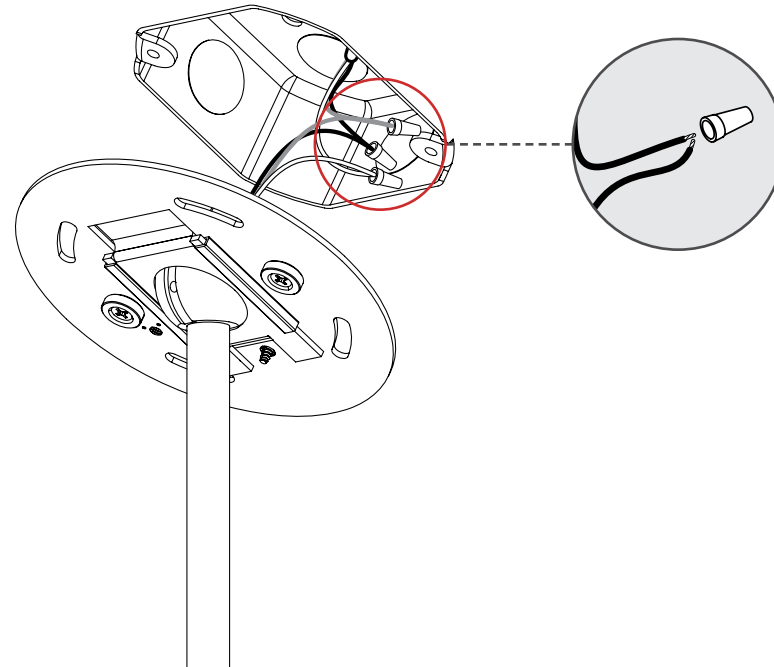


## SWIVEL STEM

**2** DETACH CANOPY.



**3** MAKE ELECTRICAL CONNECTIONS.



**Note:** Number of wires may vary.

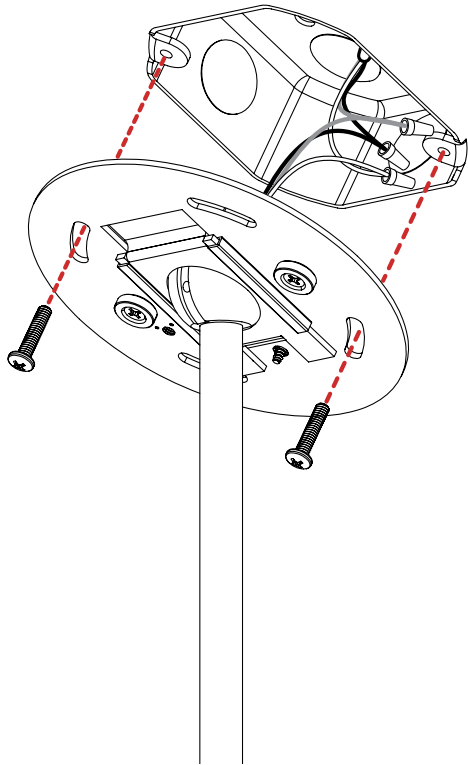
# CYLINDER / CUBOID

Pendant - Flat Canopy

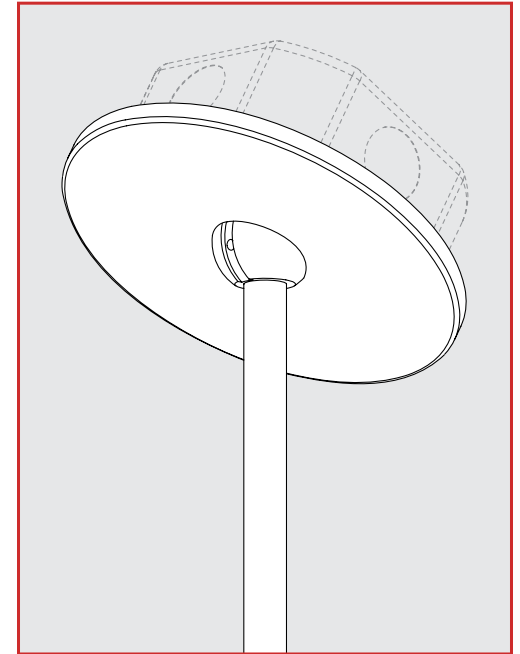
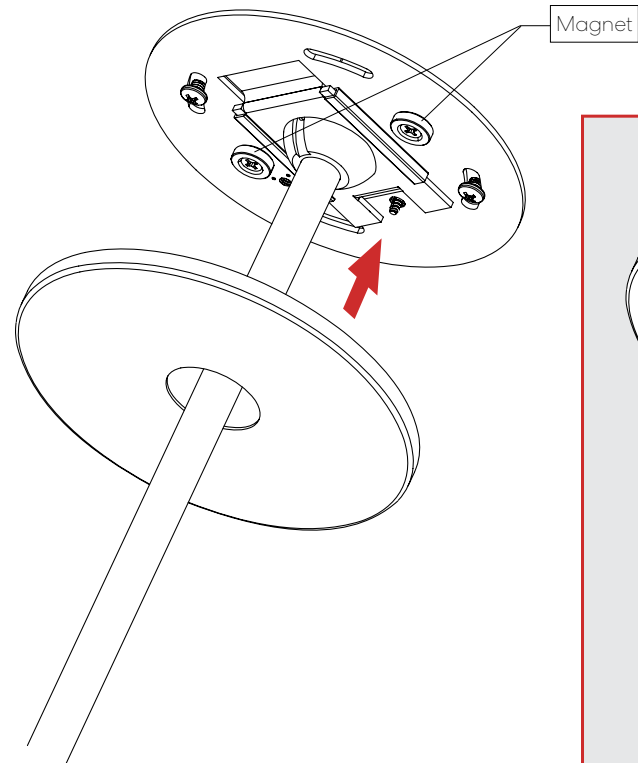


## SWIVEL STEM

### 4 FIX MOUNTING PLATE.



### 5 MOUNT CANOPY.

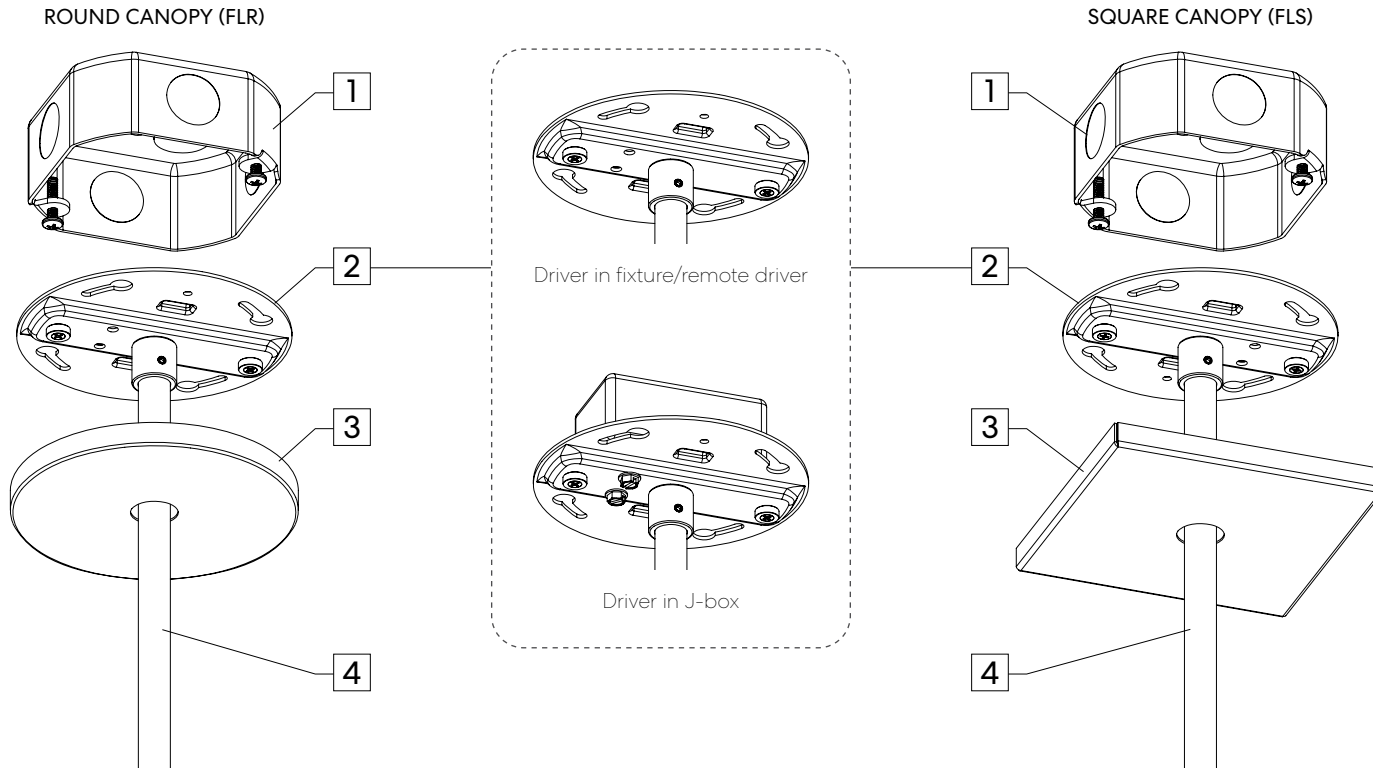


# CYLINDER / CUBOID

Pendant - Flat Canopy



## FIELD-CUTTABLE STEM



### ITEMS LIST


1	Standard J-box (by others)
2	Mounting plate
3	Flat canopy
4	Field-cuttable stem

### TOOLS REQUIRED

- Flat head screwdriver
- Phillips screwdriver
- Power cord cutter
- Wire stripper
- Allen key 5/64"
- 1/8" drill bit
- Hacksaw

### CANOPY SIZE

<b>ROUND</b>	Ø 4 1/2" Height 3/8"
<b>SQUARE</b>	4 1/2" x 4 1/2" Height 3/8"

 Instructions are shown with round canopy. Applicable to square canopy.



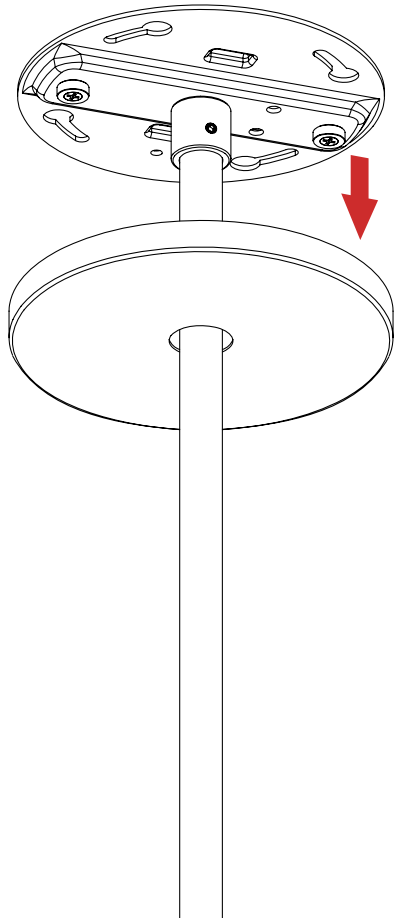
# CYLINDER / CUBOID

Pendant - Flat Canopy



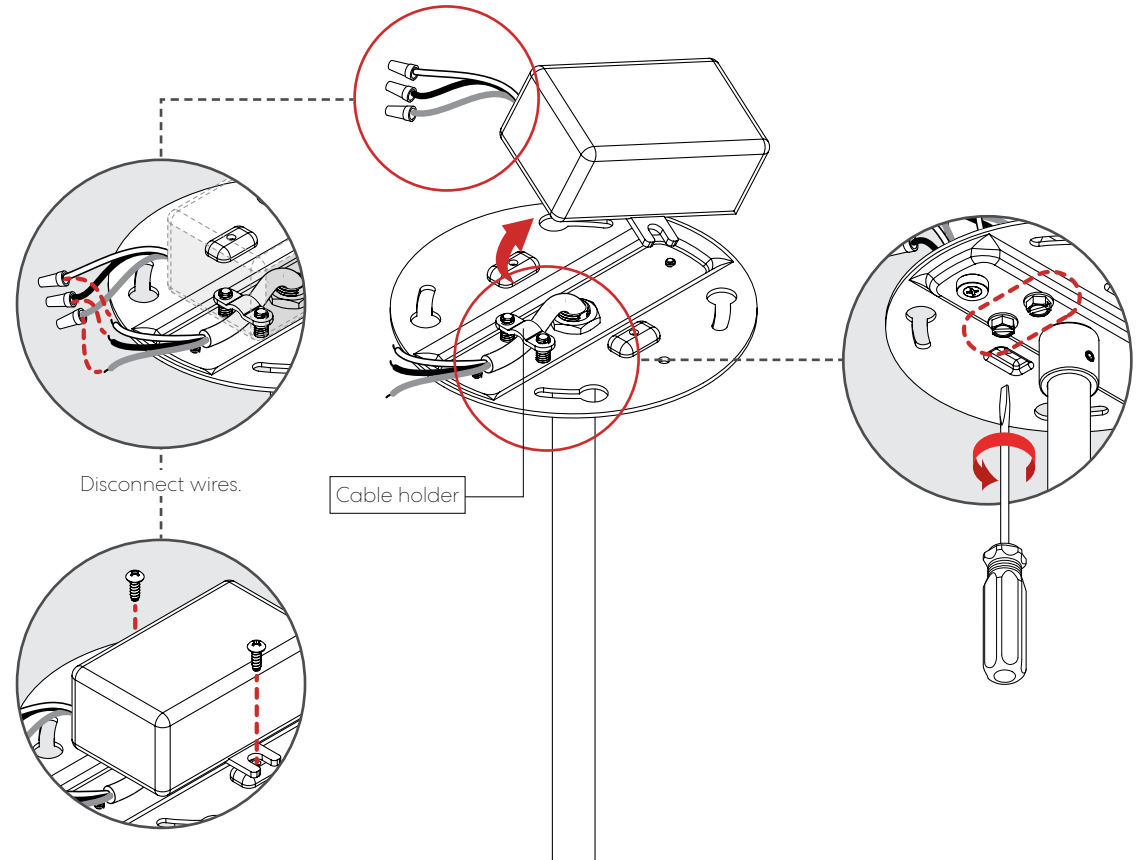
## FIELD-CUTTABLE STEM

**1** DETACH CANOPY.



**2** REMOVE DRIVER AND UNTIGHTEN CABLE HOLDER. **DRIVER IN J-BOX ONLY**

**Note:** If the driver is in the fixture or remote, skip to step 3.



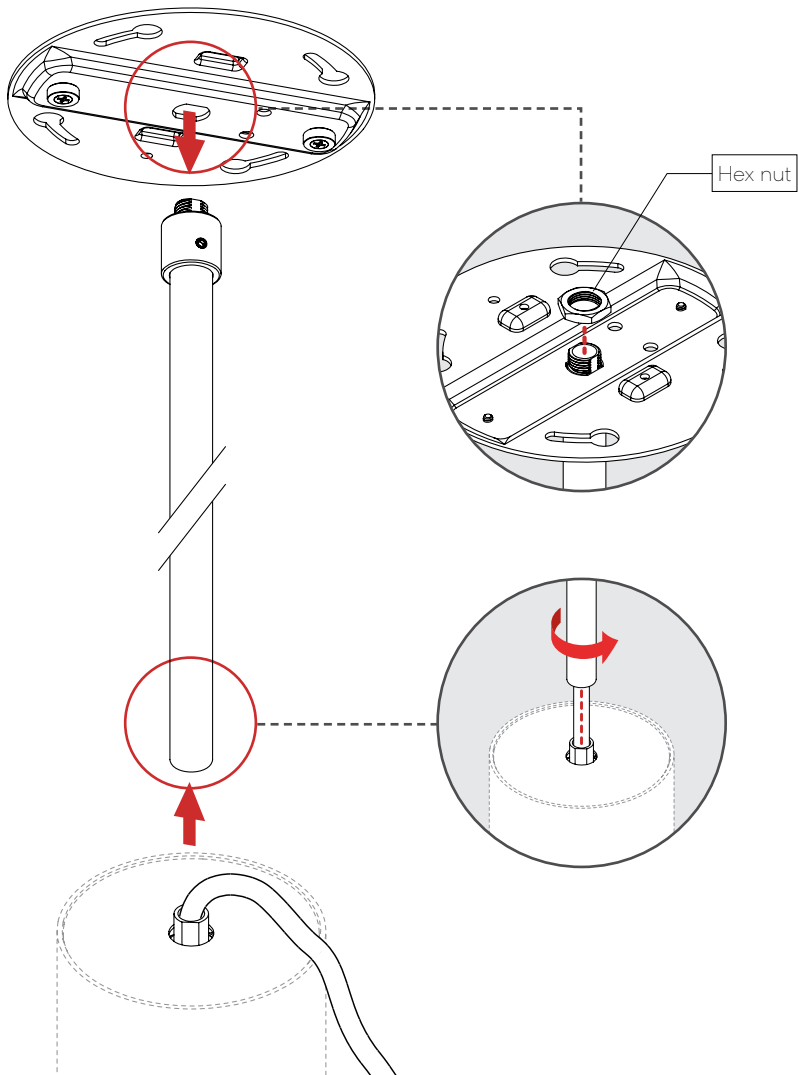
# CYLINDER / CUBOID

Pendant - Flat Canopy

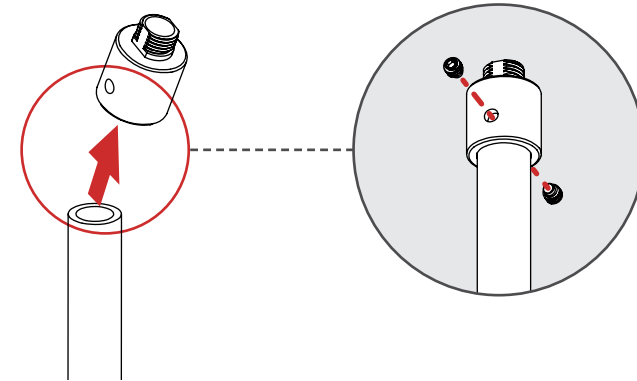


## FIELD-CUTTABLE STEM

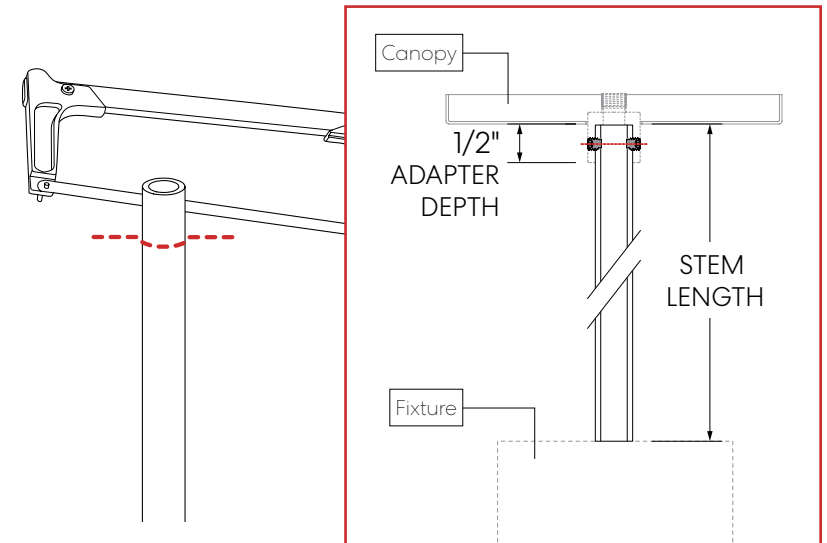
### 3 DETACH STEM.



### 4 DETACH ADAPTER.



### 5 CUT STEM.



**Note:** Deburr the stem to eliminate any sharp edges.



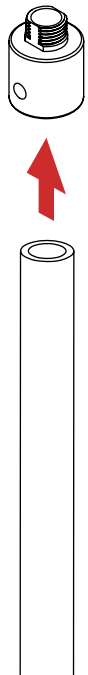
# CYLINDER / CUBOID

Pendant - Flat Canopy

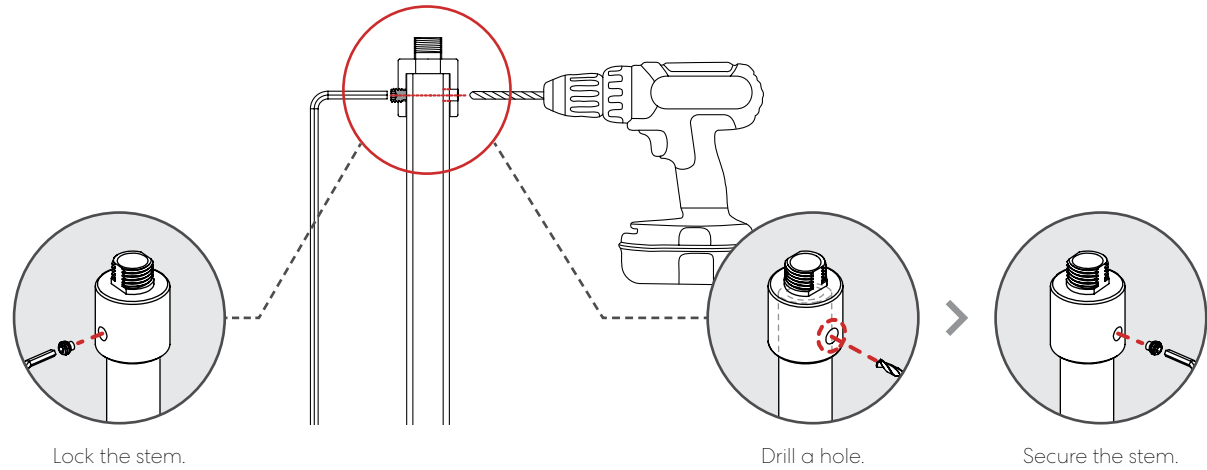


## FIELD-CUTTABLE STEM

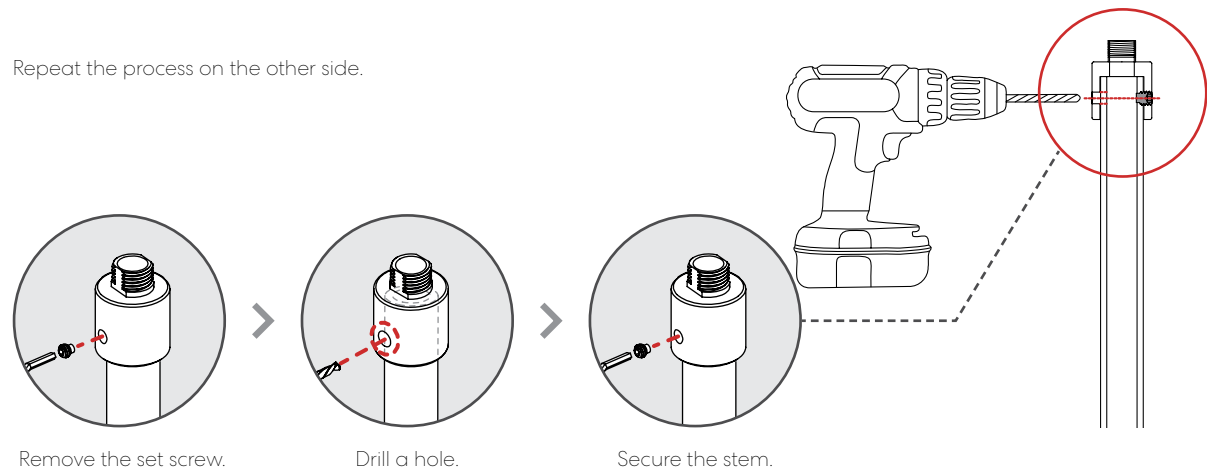
**6** INSERT STEM INTO ADAPTER.



**7** FIX STEM TO ADAPTER.



Repeat the process on the other side.



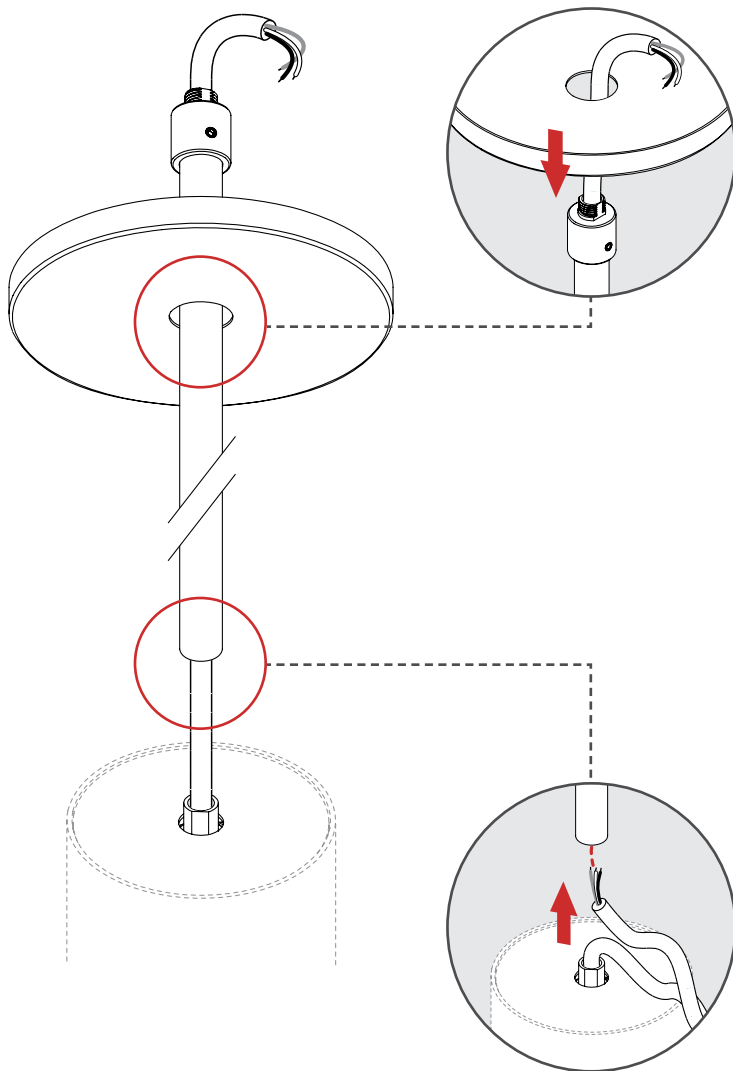
# CYLINDER / CUBOID

Pendant - Flat Canopy

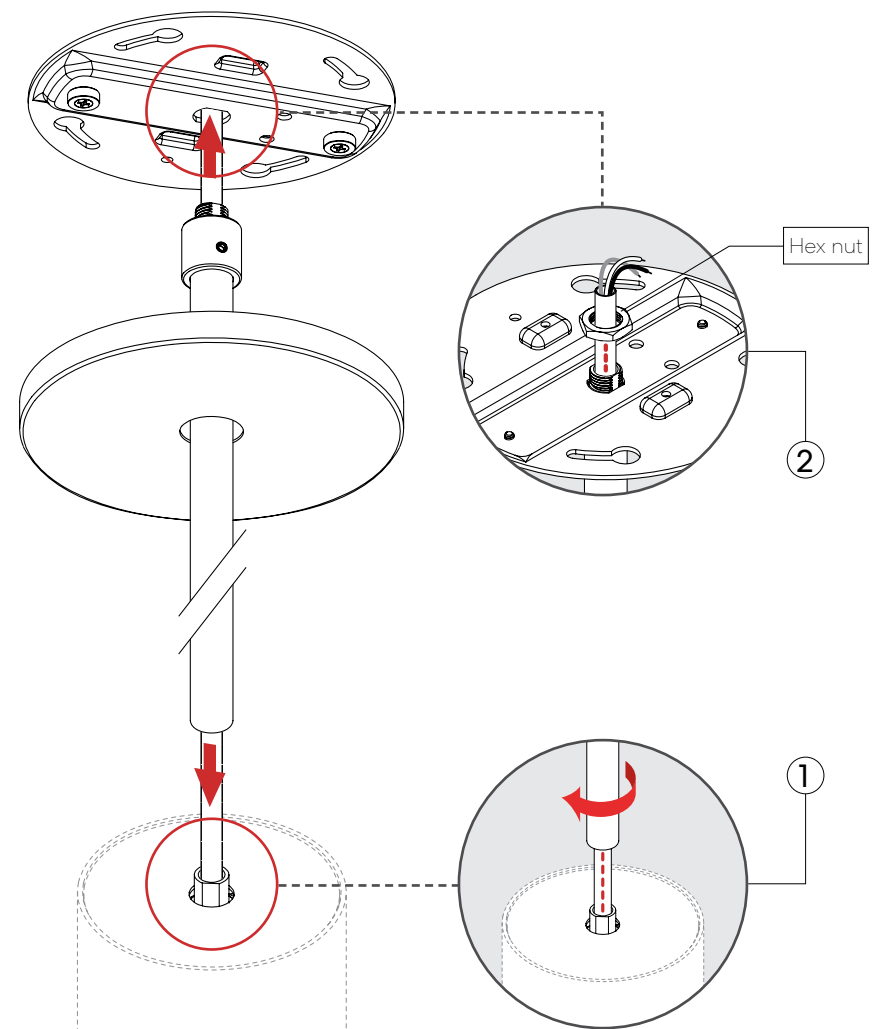


## FIELD-CUTTABLE STEM

**8** INSERT CANOPY AND POWER CORD.



**9** REINSTALL STEM ONTO FIXTURE AND MOUNTING PLATE.



**Note:** Hold the power cord at the top to prevent it from twisting.

# CYLINDER / CUBOID

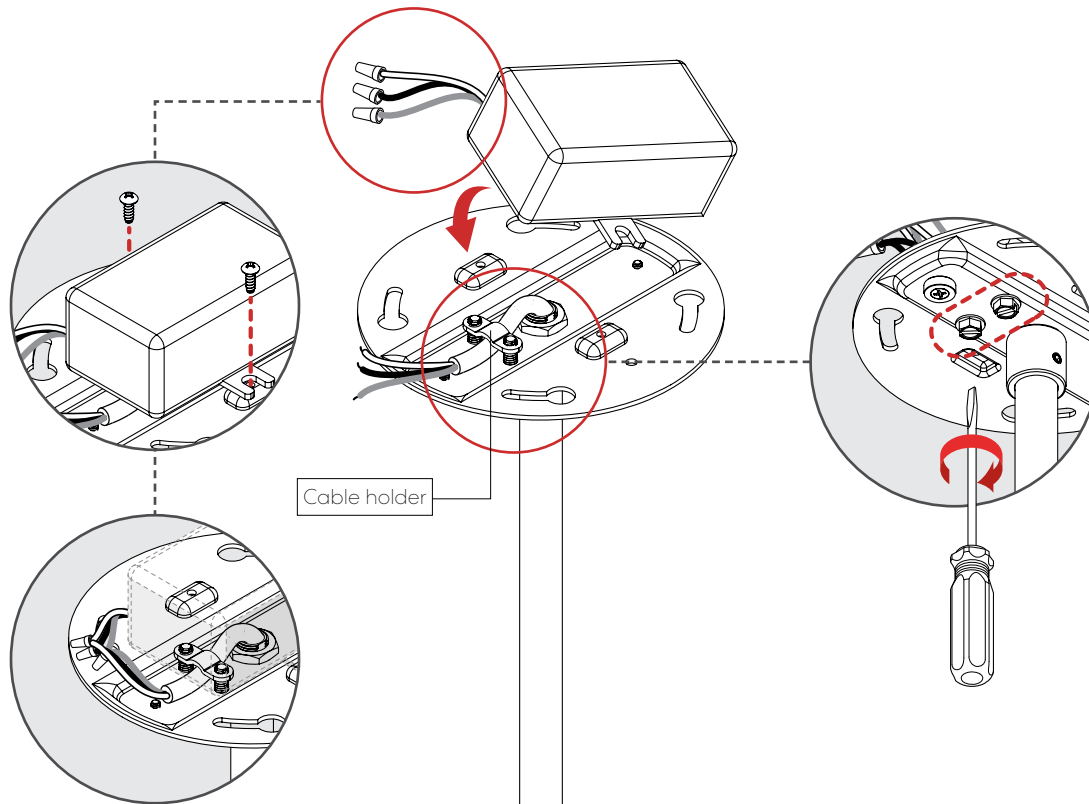
Pendant - Flat Canopy



## FIELD-CUTTABLE STEM

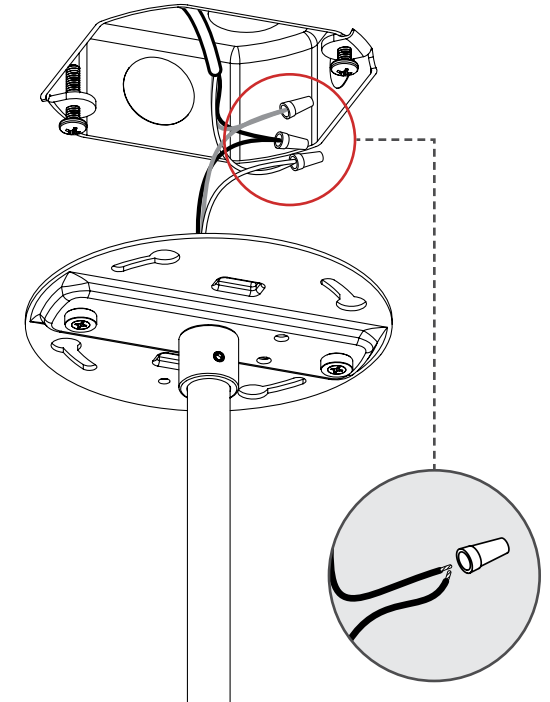
### 10 TIGHTEN CABLE HOLDER AND REINSTALL DRIVER. DRIVER IN J-BOX ONLY

**Note:** If the driver is in the fixture or remote, skip to step 11.



Reconnect wires.

### 11 MAKE ELECTRICAL CONNECTIONS.



**Note:** Number of wires may vary.

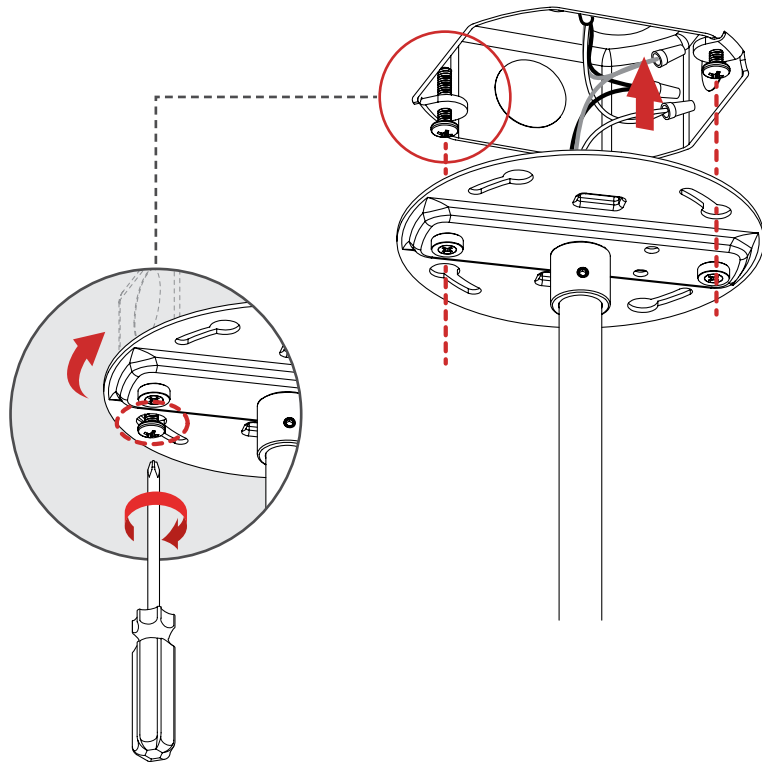
# CYLINDER / CUBOID

Pendant - Flat Canopy



## FIELD-CUTTABLE STEM

**12** FIX MOUNTING PLATE.



**13** MOUNT CANOPY.

