




## INSTALLATION INSTRUCTIONS

 This product must be installed in accordance with the National Electrical Code and all applicable local codes, by a person familiar with the construction and operation of the product, and the hazards involved. Proper grounding is required for safety.

Ce produit doit être installé suivant le code national de l'électricité, ainsi que tous les codes locaux applicables, par une personne familière avec la construction et le fonctionnement du produit, ainsi que tous les risques qui y sont associés. La mise à terre électrique est obligatoire pour la sécurité.

 Disconnect power before installation or servicing.

 Do not cover the light element lens or heatsink with any materials or adhesive tapes when the fixture is powered.

 Handle the LED cartridge carefully during removal and installation. Tools must not touch the LED chips. Contact may result in damage and LED failure.

 Wire dimming conductors as Class 1.

 A luminaire with more than one power supply connection means shall be connected to only one branch circuit.

 For luminaires specified as recessed, clearance between the sides of the luminaire and parts of the building must be 1/2" minimum; clearance to insulating materials to be 3" minimum, unless luminaire is IC rated.

 For luminaires installed in wet locations, properly seal all mounting and electrical points.

 Warranty claims will not be accepted if incorrect driver or light element is used.

# CYLINDER / CUBOID

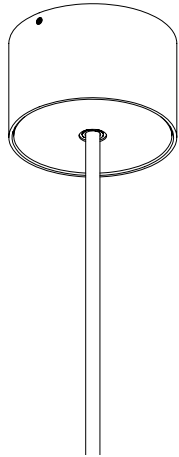
Pendant - Direct Mount - Remodel



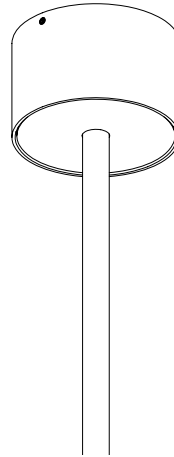
## INSTALLATION INSTRUCTIONS

---

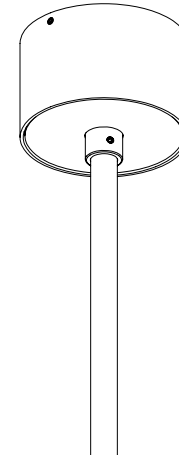
POWER CORD



STEM



FIELD-CUTTABLE STEM



Go to the section specific to your suspension option.



For electrical connections, please refer to the [wiring diagram guide](#).



For remote driver box installation instructions, please refer to the [remote driver installation sheet](#).



### INDEX

|                         |                      |
|-------------------------|----------------------|
| Power cord.....         | <a href="#">P.3</a>  |
| Stem.....               | <a href="#">P.8</a>  |
| Field-cutable stem..... | <a href="#">P.12</a> |



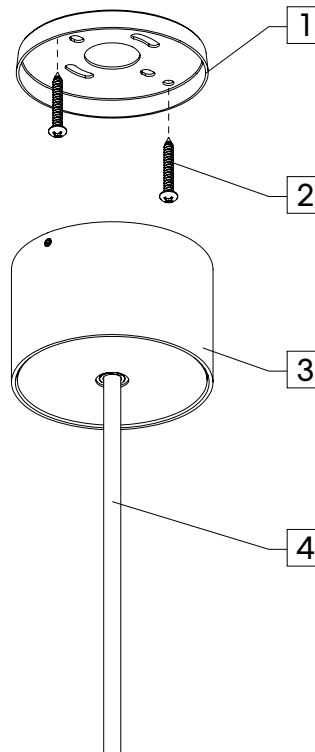
# CYLINDER / CUBOID

Pendant - Direct Mount - Remodel



## POWER CORD

### DIRECT MOUNT (DMRM)



#### ITEMS LIST

|   |                        |
|---|------------------------|
| 1 | Adapter piece          |
| 2 | 6-32 screw (by others) |
| 3 | Canopy assembly        |
| 4 | Power cord             |

#### TOOLS REQUIRED

- Phillips screwdriver
- Power cord cutter (as required)
- Wire stripper (as required)
- Allen key 5/64
- Adjustable hole cutter

#### CANOPY SIZE

|      |                       |
|------|-----------------------|
| Ø 2" | Ø 2 3/16", Height 2"  |
| Ø 3" | Ø 3 1/8", Height 2"   |
| Ø 4" | Ø 4 1/8", Height 2"   |
| Ø 5" | Ø 4 15/16", Height 2" |

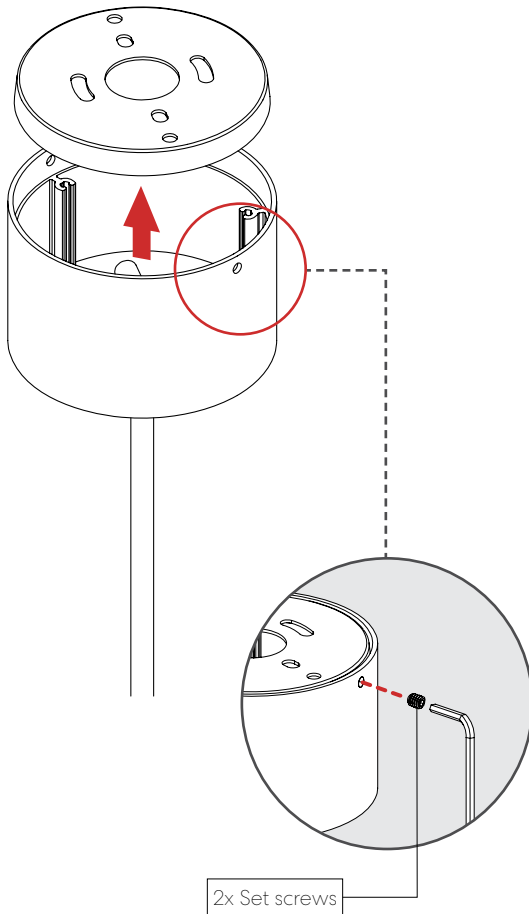
# CYLINDER / CUBOID

Pendant - Direct Mount - Remodel

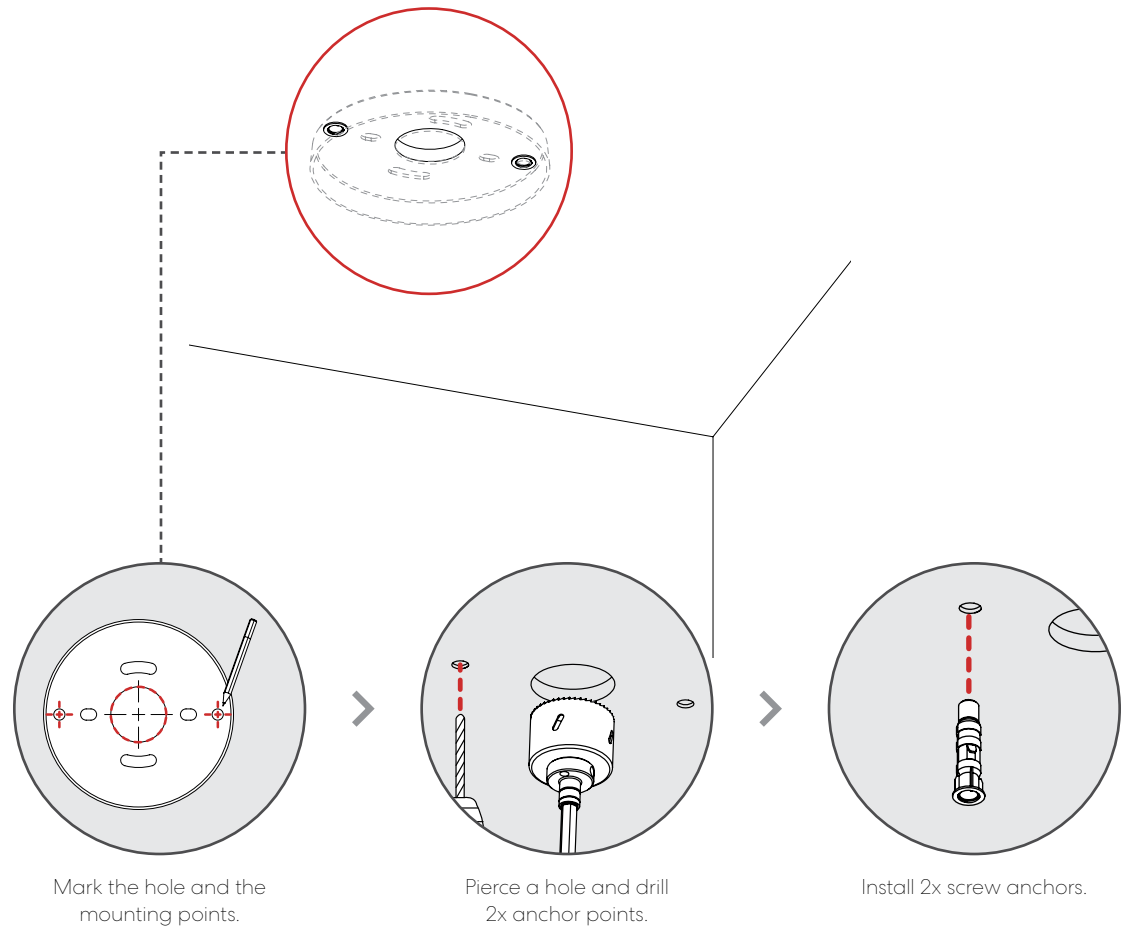


## POWER CORD

**1** DETACH ADAPTER PIECE.



**2** PREPARE CEILING.



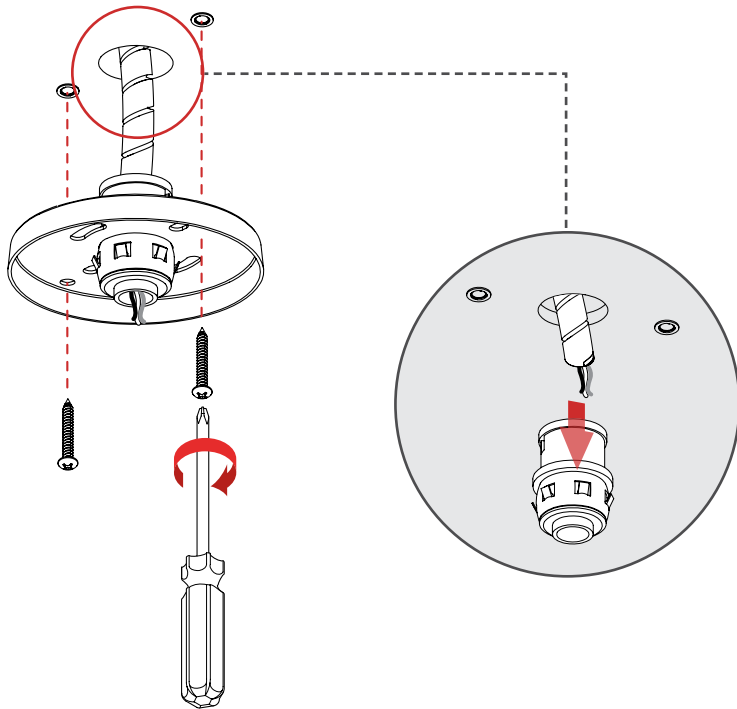
# CYLINDER / CUBOID

Pendant - Direct Mount - Remodel



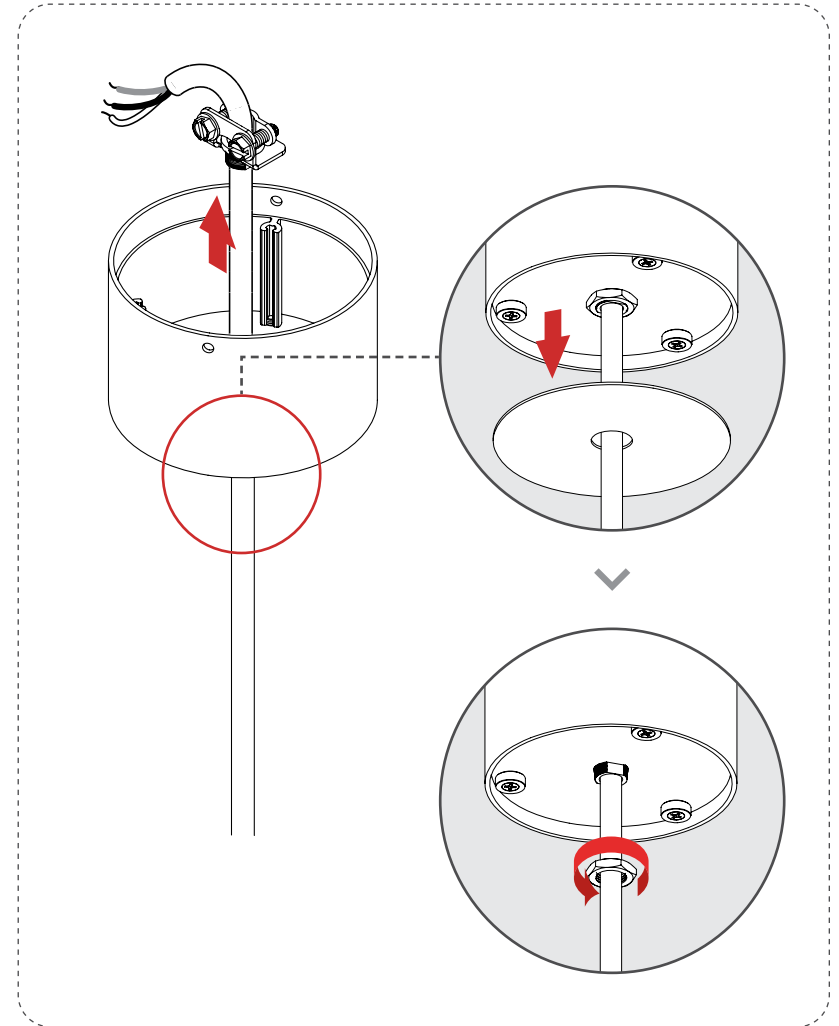
## POWER CORD

**3** INSTALL ADAPTER PIECE TO CEILING.



**4** ADJUST POWER CORD LENGTH. **OPTIONAL**

**4-1** Detach the cable holder.



# CYLINDER / CUBOID

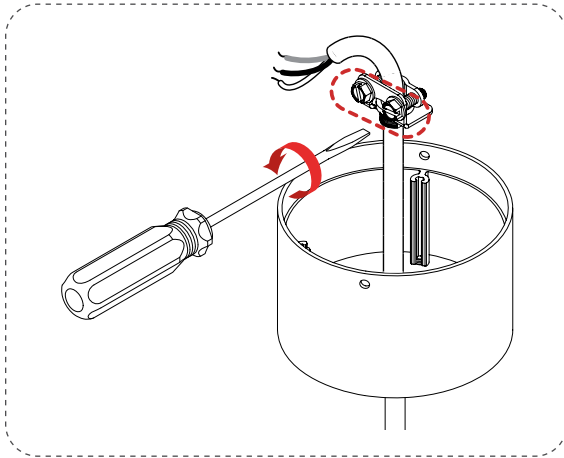
Pendant - Direct Mount - Remodel



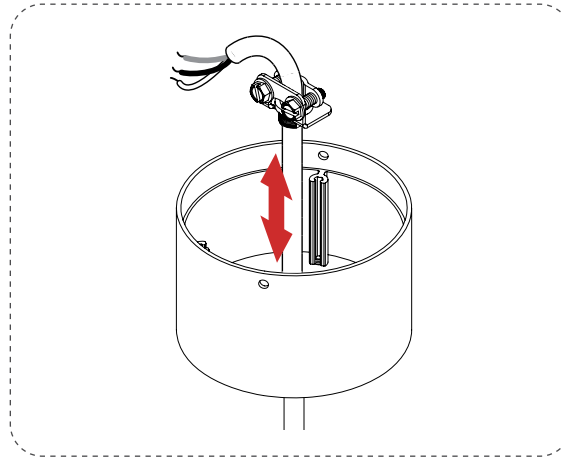
## POWER CORD

### 4 ADJUST POWER CORD LENGTH. OPTIONAL

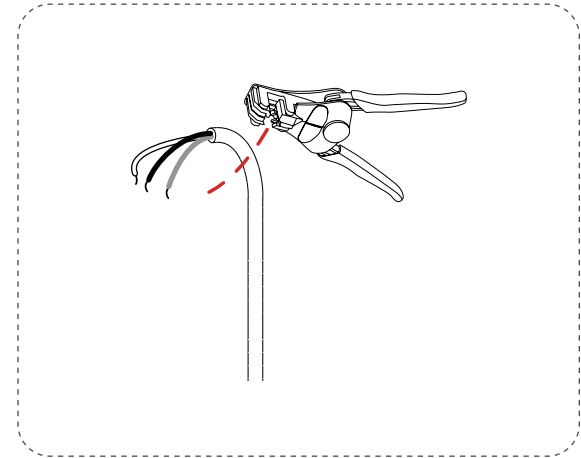
4-2 Untighten the cable holder.



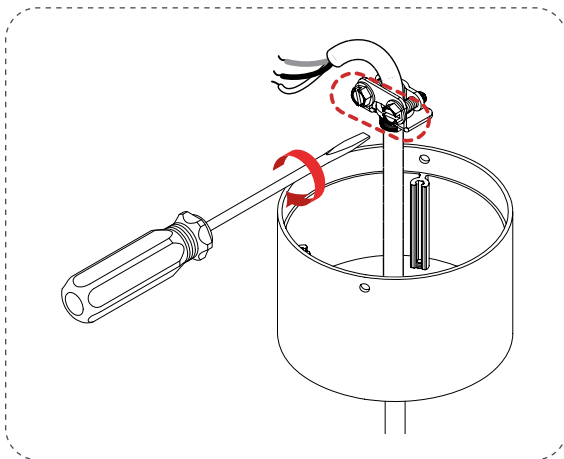
4-3 Adjust power cord length.



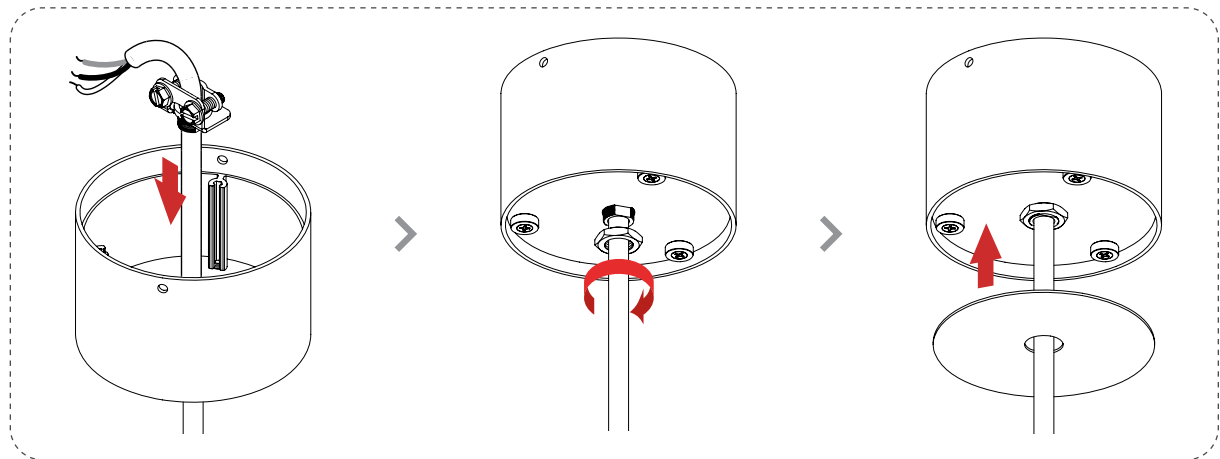
4-4 Cut the excess power cord.



4-5 Tighten the cable holder.



4-6 Attach the cable holder.



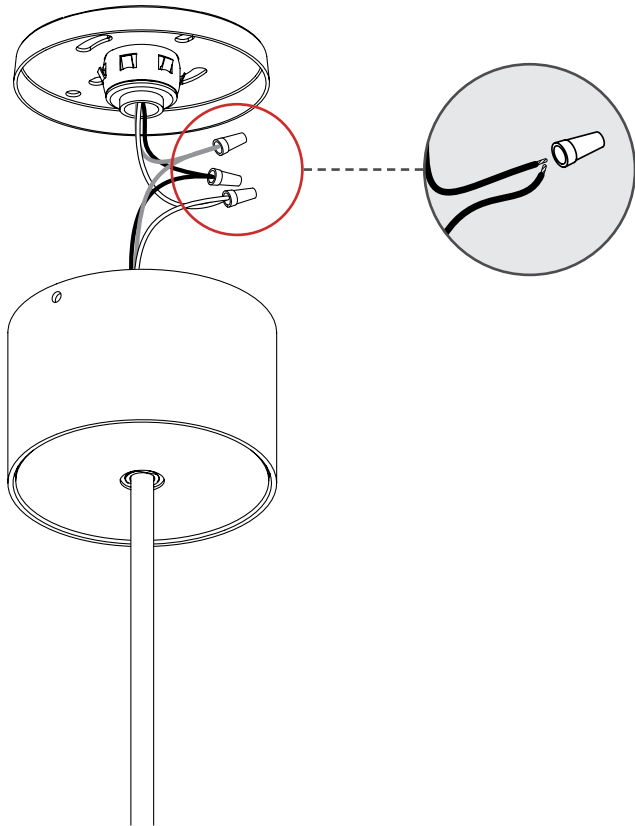
# CYLINDER / CUBOID

Pendant - Direct Mount - Remodel



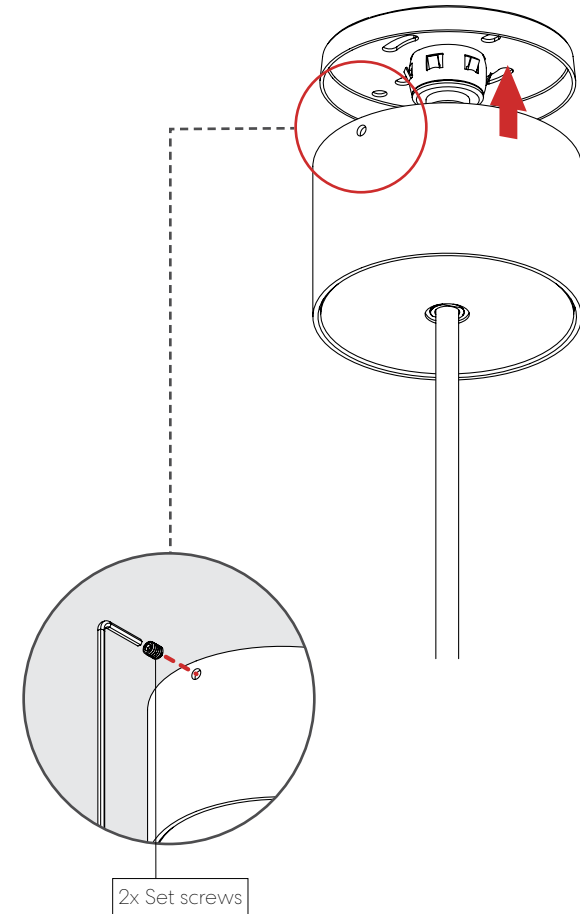
## POWER CORD

### 5 MAKE ELECTRICAL CONNECTIONS.



**Note:** Number of wires may vary.

### 6 INSTALL CANOPY ASSEMBLY.

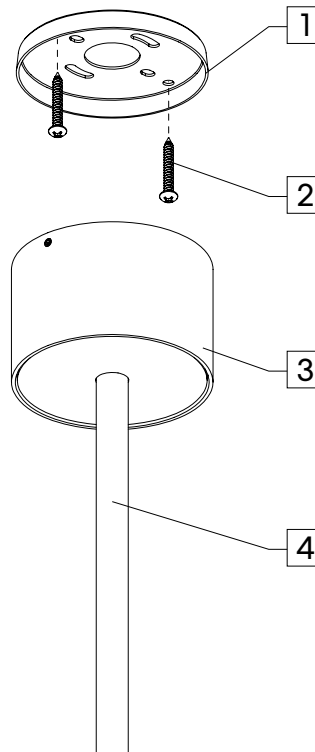


# CYLINDER / CUBOID

Pendant - Direct Mount - Remodel

STEM

## DIRECT MOUNT (DMRM)



### ITEMS LIST

|   |                        |
|---|------------------------|
| 1 | Adapter piece          |
| 2 | 6-32 screw (by others) |
| 3 | Canopy assembly        |
| 4 | Stem                   |

### TOOLS REQUIRED

- Phillips screwdriver
- Allen key 5/64
- Adjustable hole cutter

### CANOPY SIZE

|      |                       |
|------|-----------------------|
| Ø 2" | Ø 2 3/16", Height 2"  |
| Ø 3" | Ø 3 1/8", Height 2"   |
| Ø 4" | Ø 4 1/8", Height 2"   |
| Ø 5" | Ø 4 15/16", Height 2" |

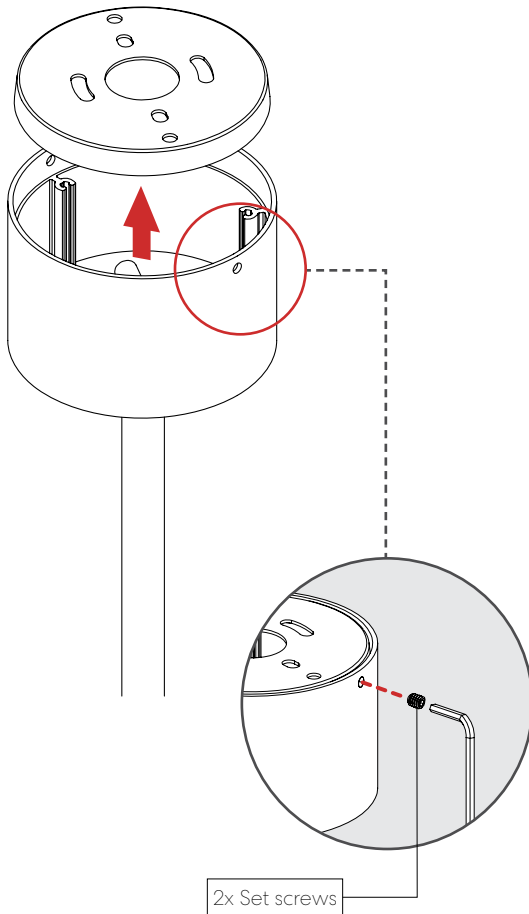
# CYLINDER / CUBOID

Pendant - Direct Mount - Remodel

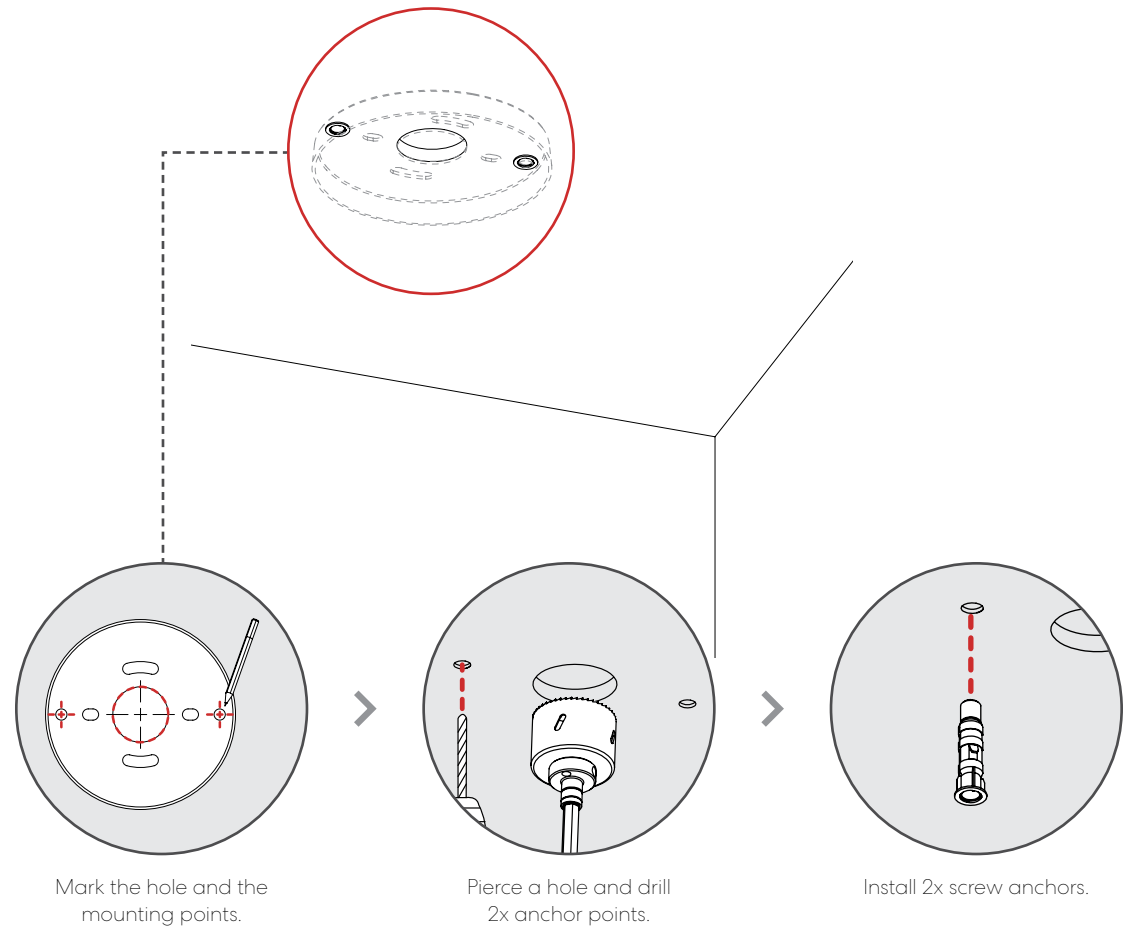


STEM

## 1 DETACH ADAPTER PIECE.



## 2 PREPARE CEILING.



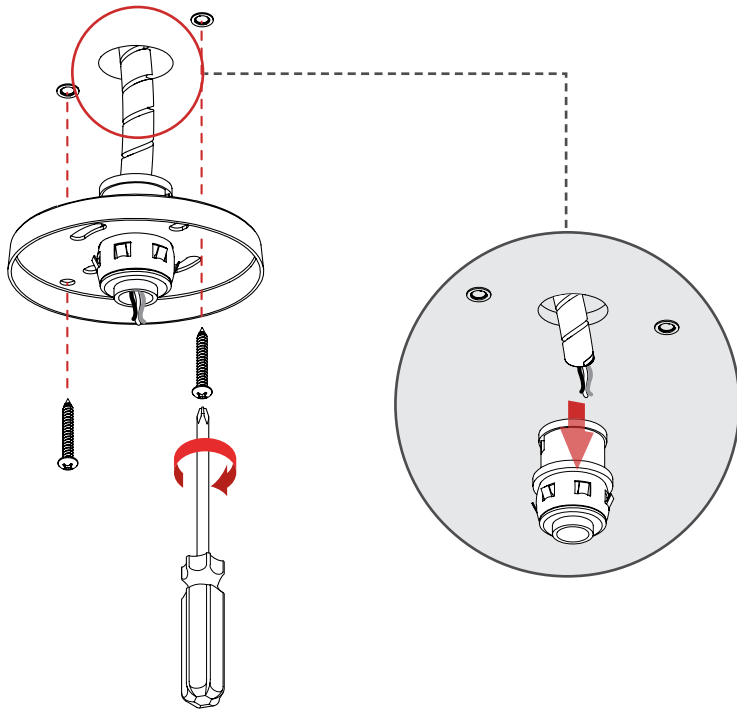
# CYLINDER / CUBOID

Pendant - Direct Mount - Remodel

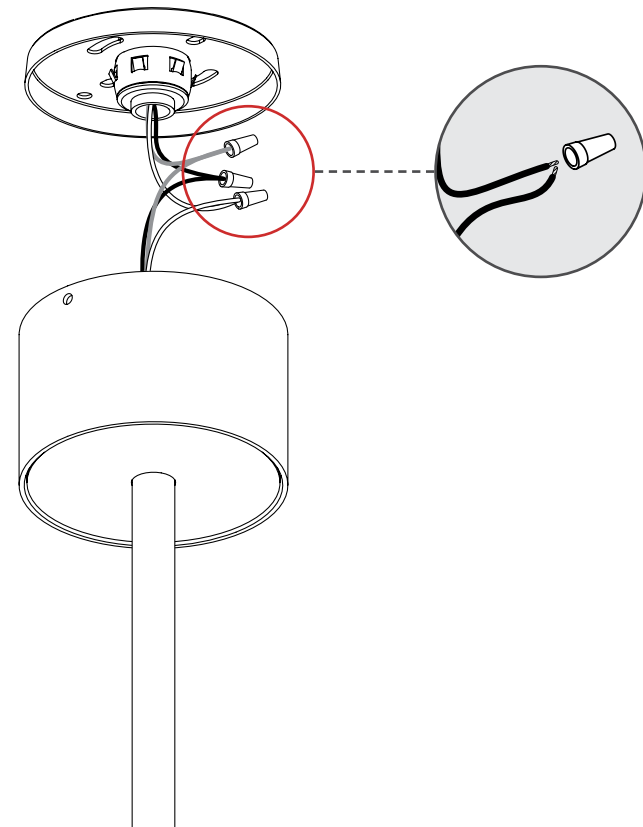


STEM

**3** INSTALL ADAPTER PIECE TO CEILING.



**4** MAKE ELECTRICAL CONNECTIONS.



**Note:** Number of wires may vary.

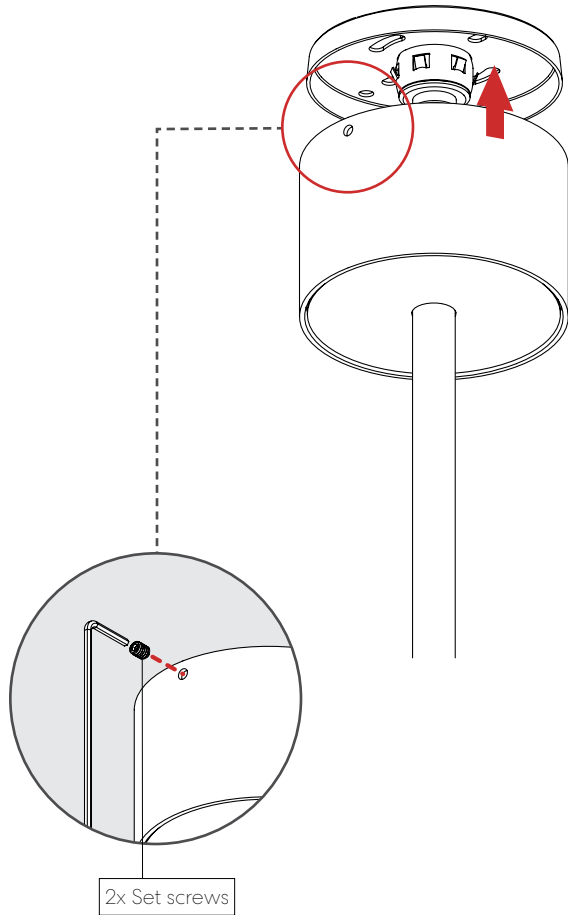
# CYLINDER / CUBOID

Pendant - Direct Mount - Remodel

STEM

---

## 5 INSTALL CANOPY ASSEMBLY.



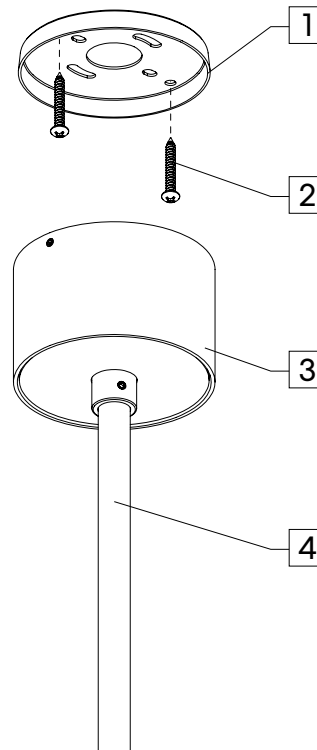
# CYLINDER / CUBOID

Pendant - Direct Mount - Remodel



## FIELD-CUTTABLE STEM

DIRECT MOUNT (DMRM)



### ITEMS LIST

|   |                        |
|---|------------------------|
| 1 | Adapter piece          |
| 2 | 6-32 screw (by others) |
| 3 | Canopy assembly        |
| 4 | Field-cuttable stem    |

### TOOLS REQUIRED

|                          |                  |
|--------------------------|------------------|
| - Flat head screwdriver  | - Allen key 5/64 |
| - Phillips screwdriver   | - 1/8" drill bit |
| - Power cord cutter      | - Hacksaw        |
| - Wire stripper          |                  |
| - Adjustable hole cutter |                  |

### CANOPY SIZE

|      |                       |
|------|-----------------------|
| Ø 2" | Ø 2 3/16", Height 2"  |
| Ø 3" | Ø 3 1/8", Height 2"   |
| Ø 4" | Ø 4 1/8", Height 2"   |
| Ø 5" | Ø 4 15/16", Height 2" |



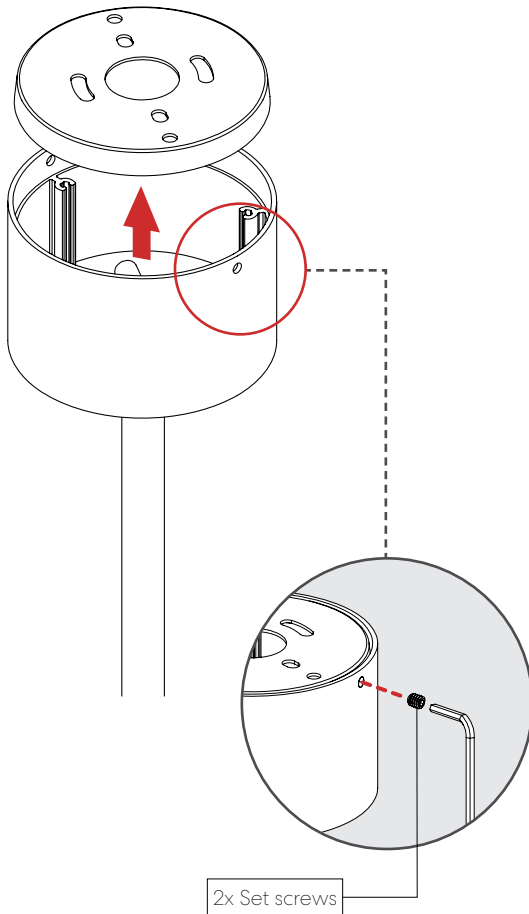
# CYLINDER / CUBOID

Pendant - Direct Mount - Remodel

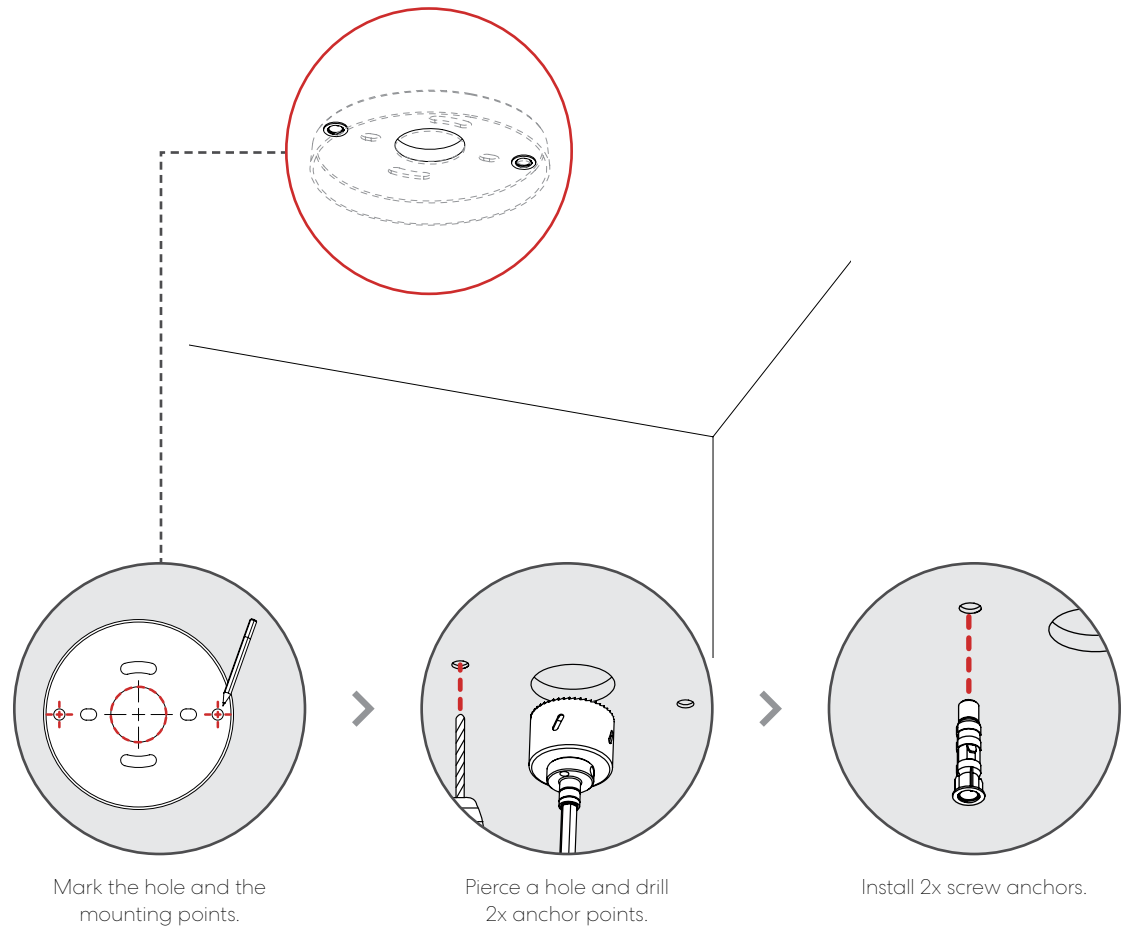


## FIELD-CUTTABLE STEM

**1** DETACH ADAPTER PIECE.



**2** PREPARE CEILING.



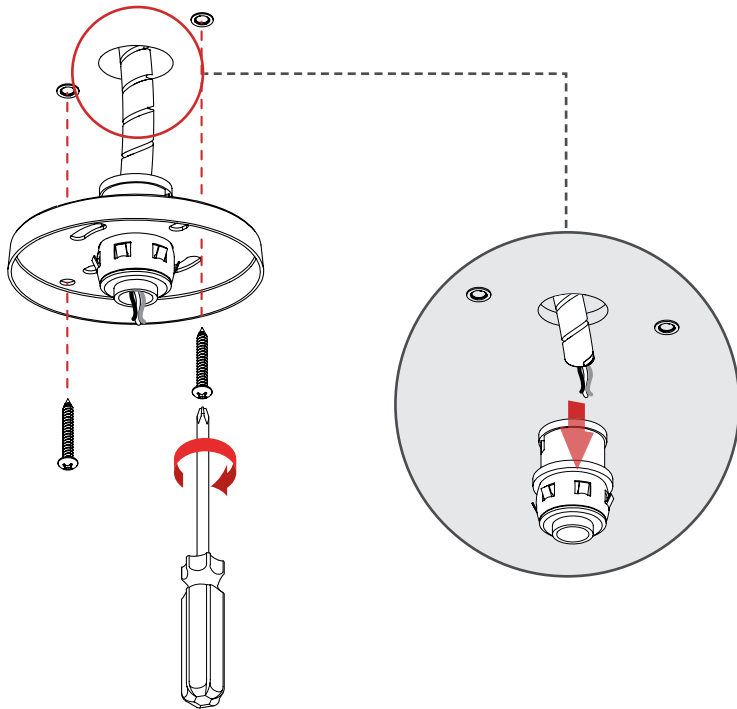
# CYLINDER / CUBOID

Pendant - Direct Mount - Remodel

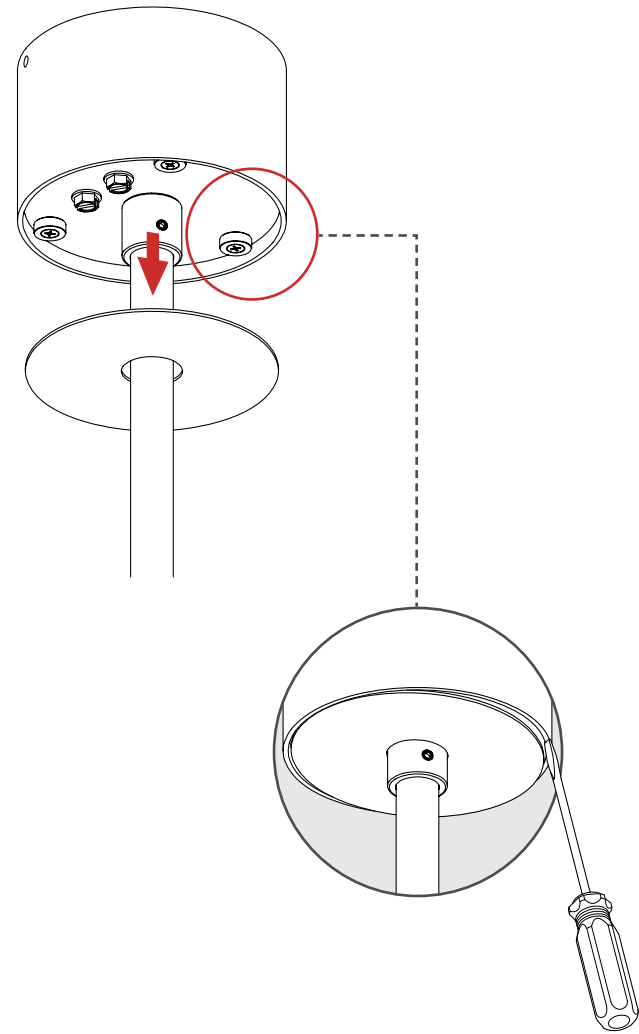


## FIELD-CUTTABLE STEM

**3** INSTALL ADAPTER PIECE TO CEILING.



**4** DETACH CAP FROM CANOPY ASSEMBLY.



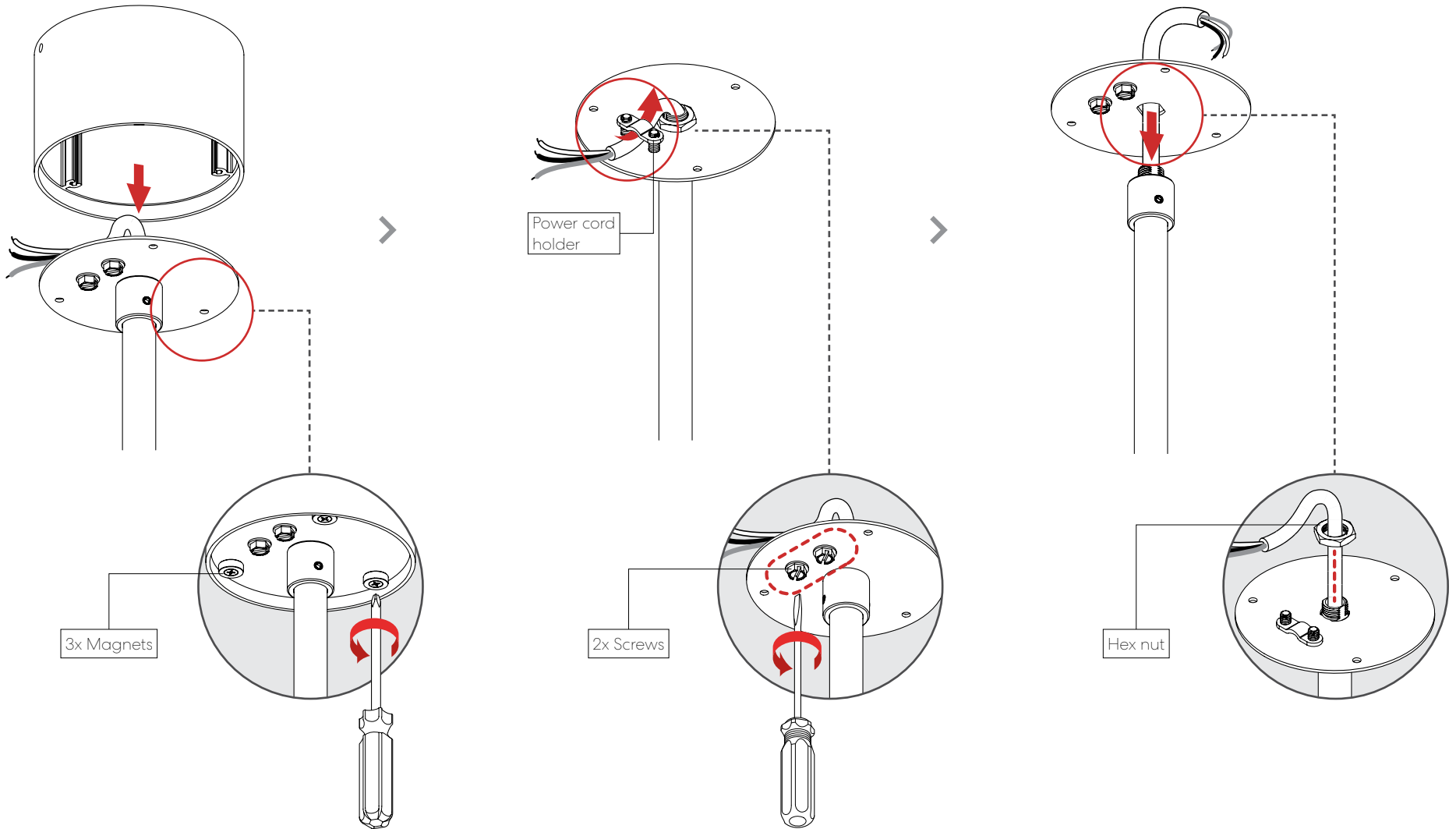
# CYLINDER / CUBOID

Pendant - Direct Mount - Remodel



## FIELD-CUTTABLE STEM

**5** DETACH STEM FROM CANOPY ASSEMBLY.



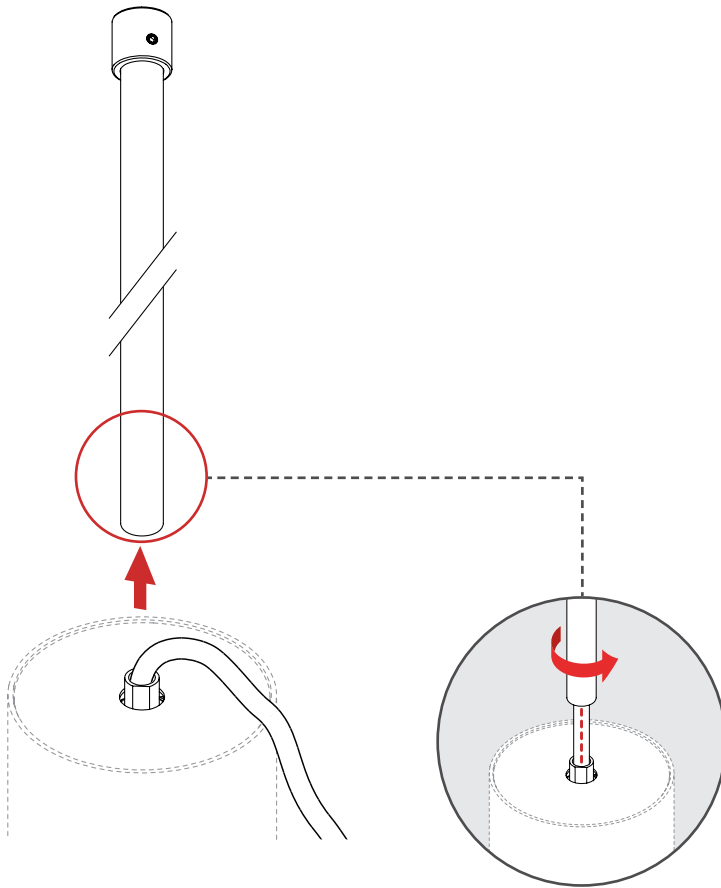
# CYLINDER / CUBOID

Pendant - Direct Mount - Remodel

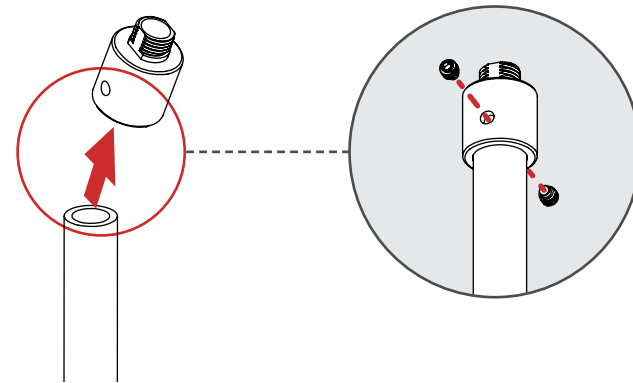


## FIELD-CUTTABLE STEM

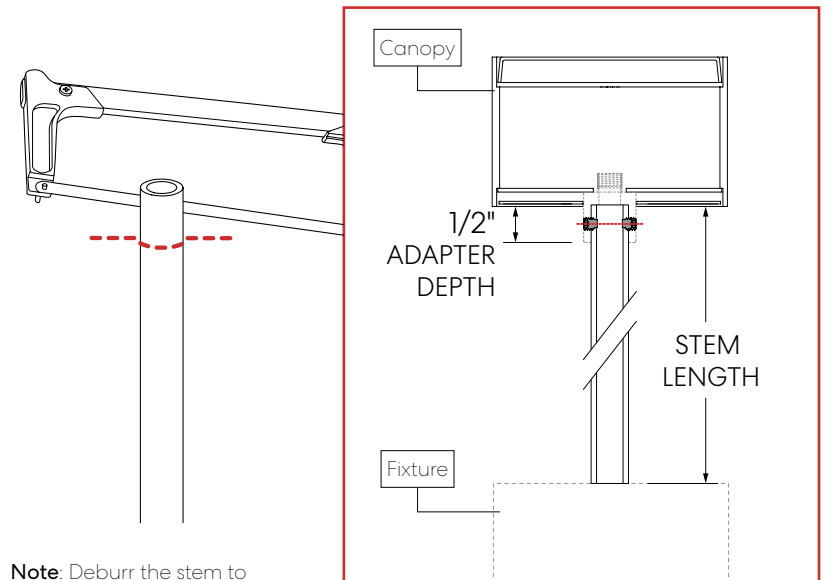
**6** DETACH STEM FROM HOUSING.



**7** DETACH ADAPTER.



**8** CUT STEM.



**Note:** Deburr the stem to eliminate any sharp edges.



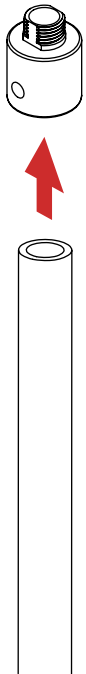
# CYLINDER / CUBOID

Pendant - Direct Mount - Remodel

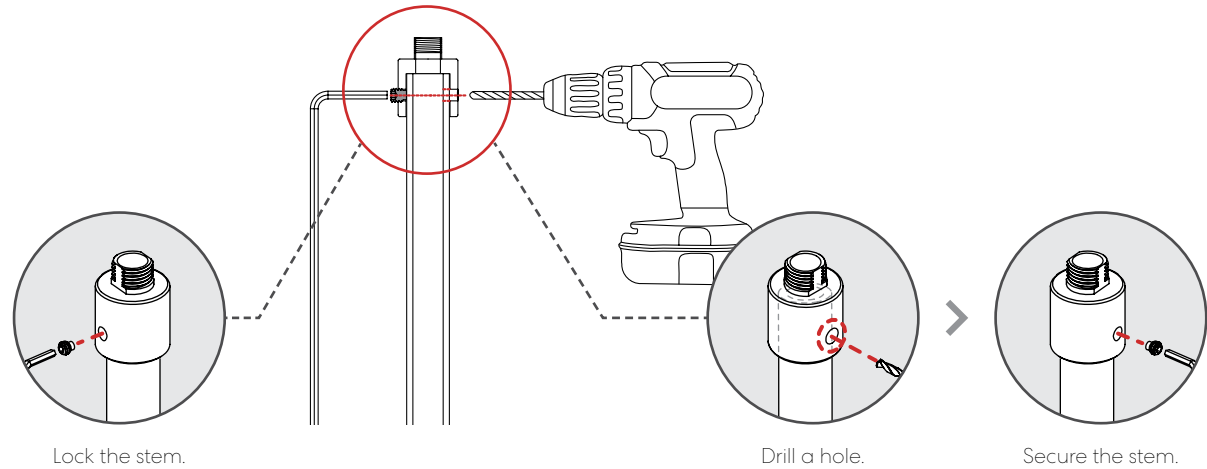


## FIELD-CUTTABLE STEM

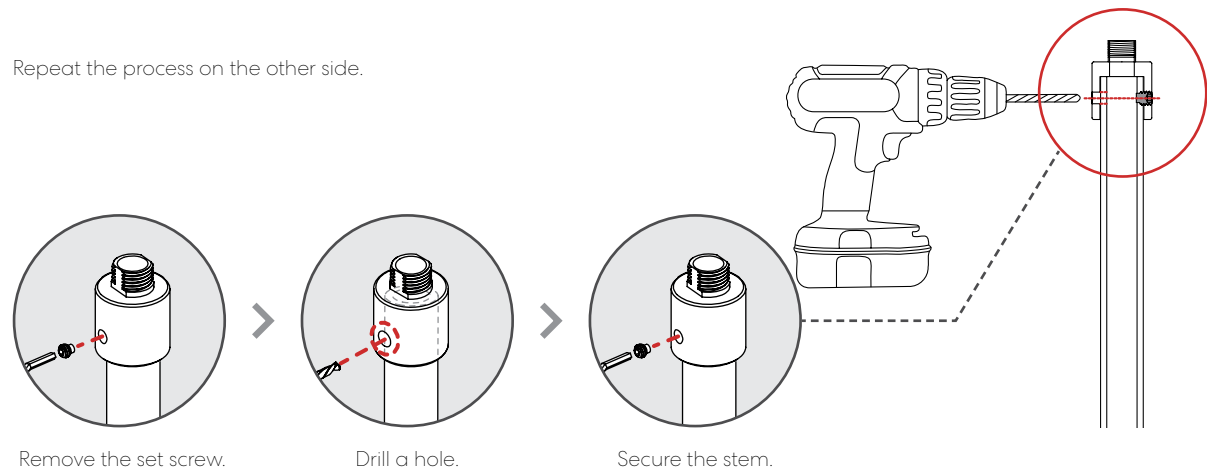
**9** INSERT STEM INTO ADAPTER.



**10** FIX STEM TO ADAPTER.



Repeat the process on the other side.



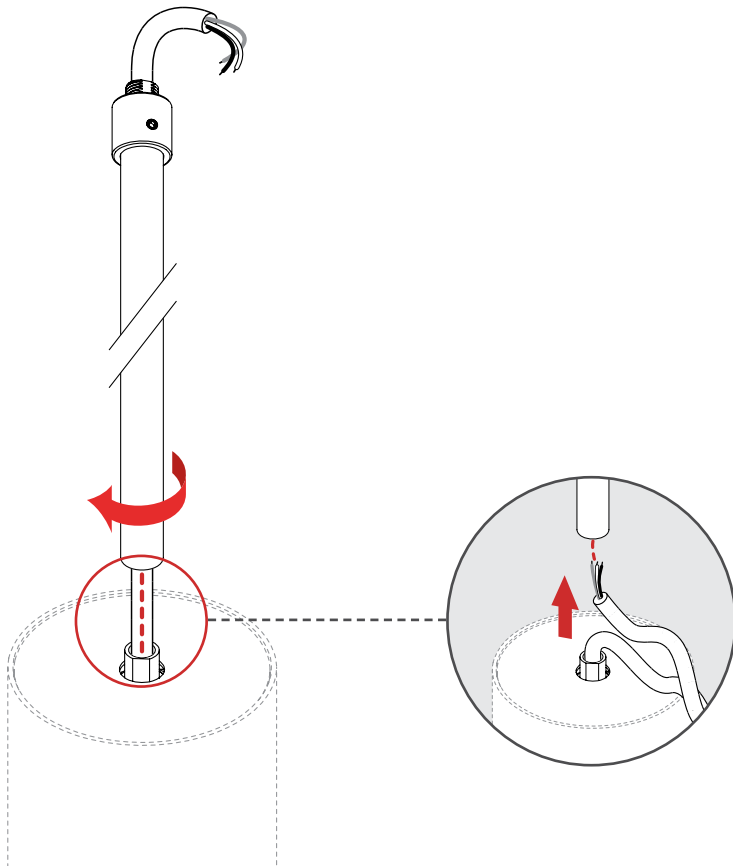
# CYLINDER / CUBOID

Pendant - Direct Mount - Remodel



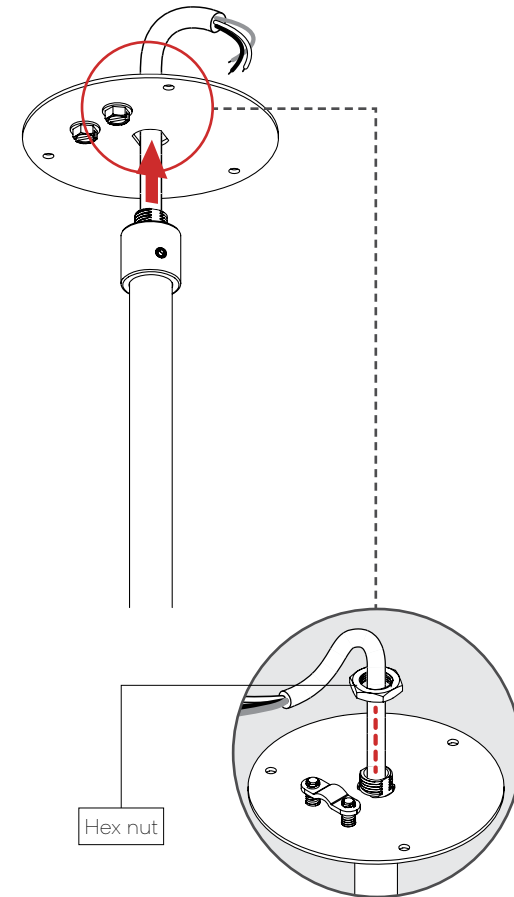
## FIELD-CUTTABLE STEM

**11** ATTACH STEM TO HOUSING.



**Note:** Hold the power cord at the top to prevent it from twisting.

**12** ATTACH STEM TO TO BRACKET.



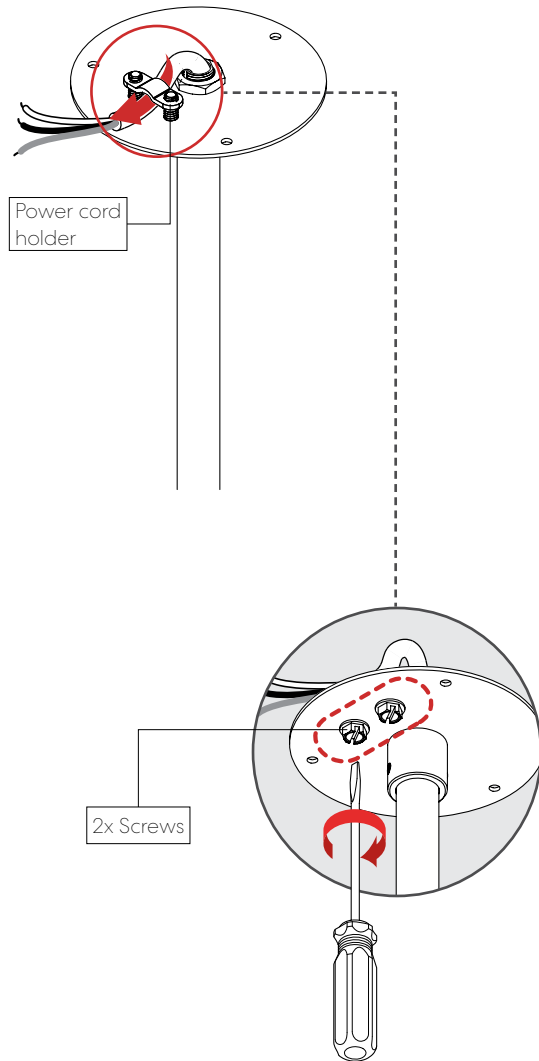
# CYLINDER / CUBOID

Pendant - Direct Mount - Remodel

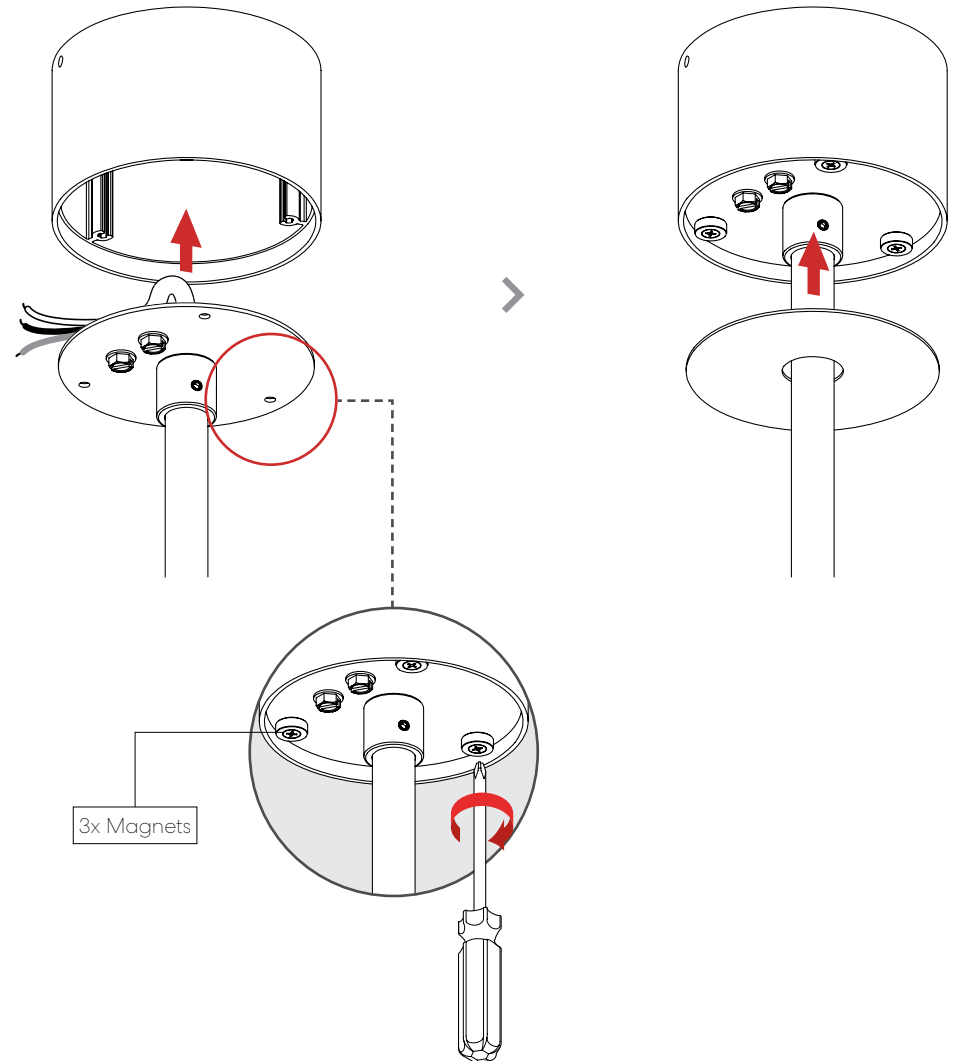


## FIELD-CUTTABLE STEM

### 13 SECURE POWER CORD.



### 14 ATTACH STEM TO CANOPY ASSEMBLY.



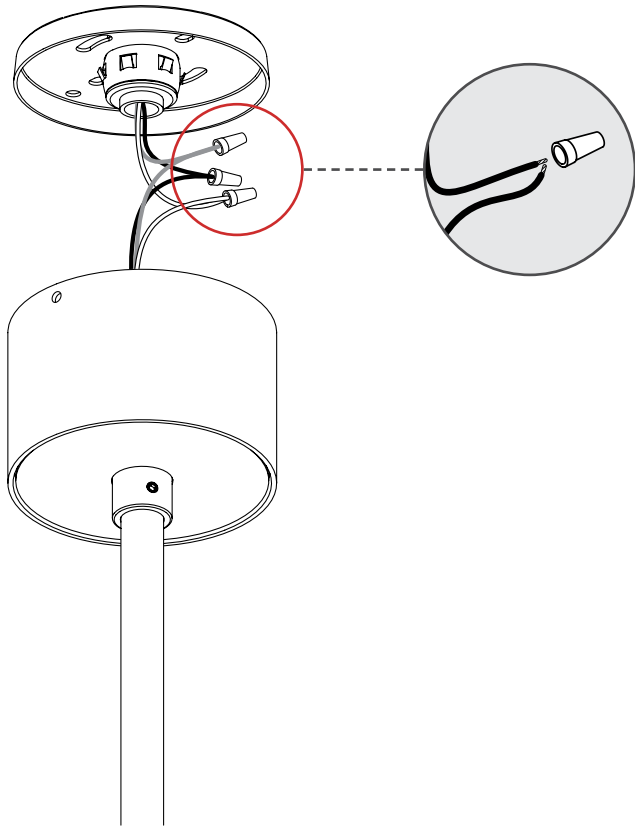
# CYLINDER / CUBOID

Pendant - Direct Mount - Remodel



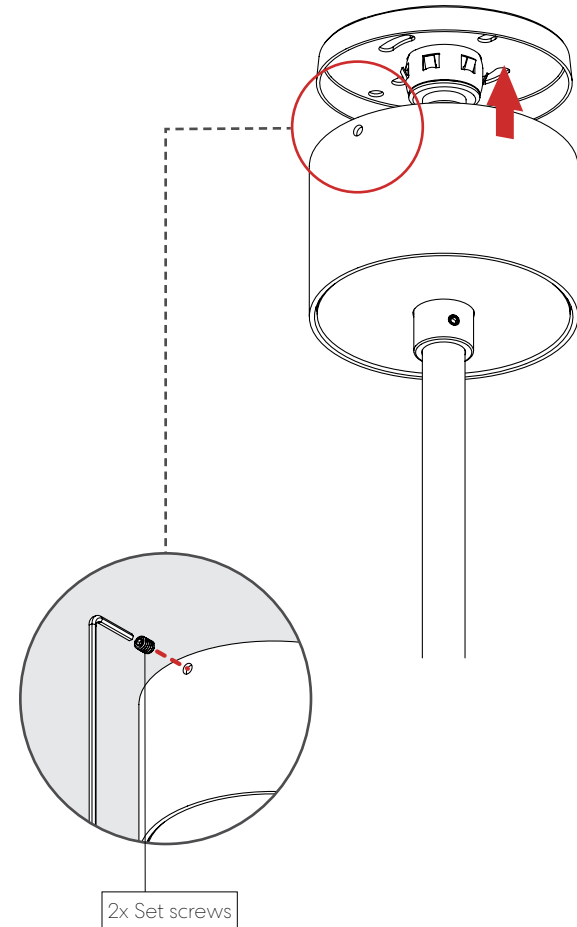
## FIELD-CUTTABLE STEM

**15** MAKE ELECTRICAL CONNECTIONS.



**Note:** Number of wires may vary.

**16** INSTALL CANOPY ASSEMBLY.



2x Set screws