
 This product must be installed in accordance with the National Electrical Code and all applicable local codes, by a person familiar with the construction and operation of the product, and the hazards involved. Proper grounding is required for safety.

Ce produit doit être installé suivant le code national de l'électricité, ainsi que tous les codes locaux applicables, par une personne familière avec la construction et le fonctionnement du produit, ainsi que tous les risques qui y sont associés. La mise à terre électrique est obligatoire pour la sécurité.

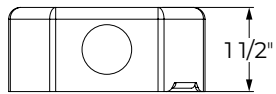
 Wire dimming conductors as Class 1.

 These instructions are also applicable for mounting Dot or Box on a wall.

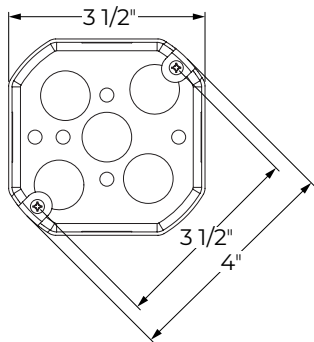
## OVERVIEW (Remote driver)

See pages [7 to 11](#) for Canopy Driver installation instructions

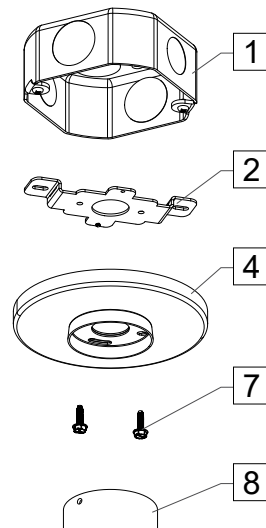
### Junction box (by others)



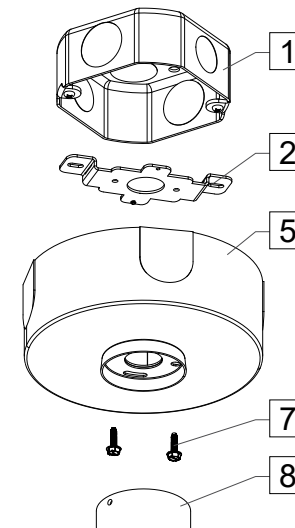
Standard 4" octagonal junction box



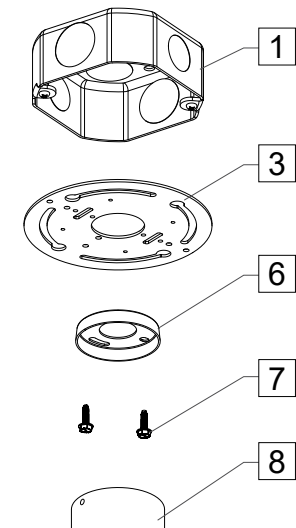
### Flat canopy



### Conduit feed canopy



### Direct mount




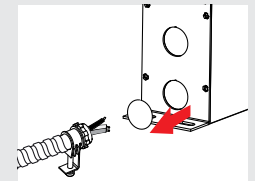
### Items list


1	Junction box (by others)
2	Crossbar
3	Mounting plate
4	Flat canopy assembly
5	Conduit canopy assembly
6	Adapter piece
7	6-32 screw
8	Housing assembly

### Tools required

- Allen key 5/64
- Philips screwdriver
- Socket screwdriver 1/4"
- Gypsum cutter or milling hand tool

 For remote driver box, please refer to the [remote driver installation sheet](#) for more information.

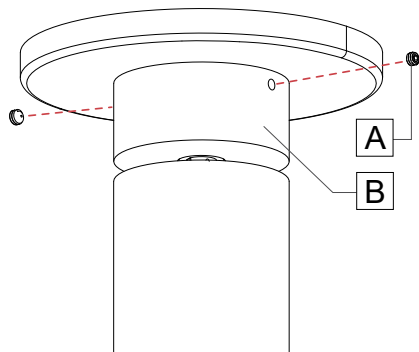


 For electrical connections, please refer to the [Wiring Diagram Guide](#).

## FLAT CANOPY

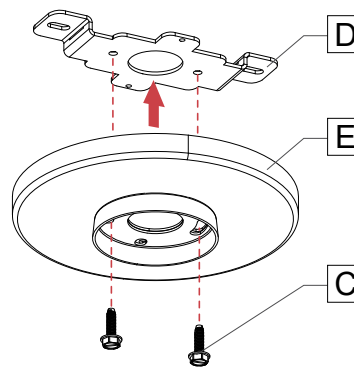
### 1 REMOVE SET SCREWS.

Remove set screws [A] from the housing assembly [B].



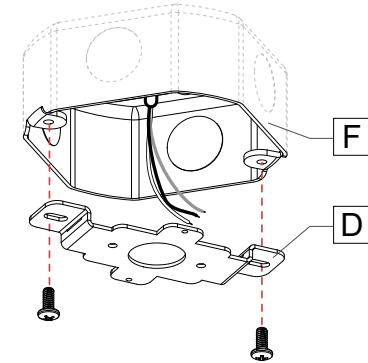
### 2 DETACH CROSSBAR.

Remove two screws [C] to detach the crossbar [D] from the canopy assembly [E].



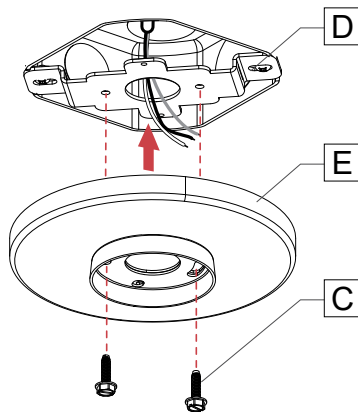
### 3 INSTALL CROSSBAR.

Attach and secure the crossbar [D] onto the junction box [F].



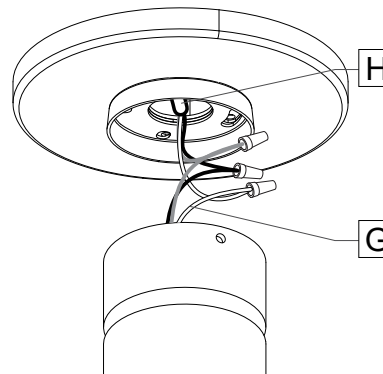
### 4 INSTALL CANOPY ASSEMBLY.

Attach the canopy assembly [E] with provided two screws [C] onto the crossbar [D].



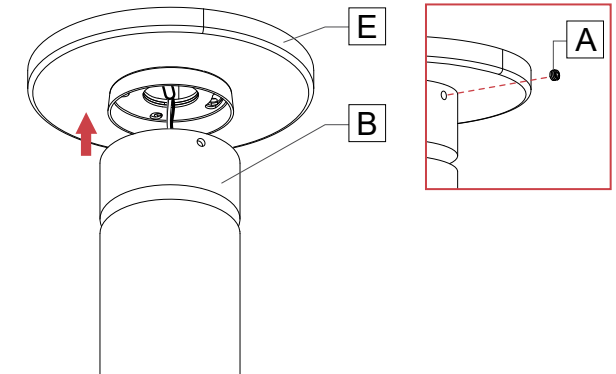
### 5 MAKE ELECTRICAL CONNECTIONS.

Make electrical connections between the fixture cable [G] and the main power [H] using wire nuts (by others).



### 6 INSTALL HOUSING ASSEMBLY.

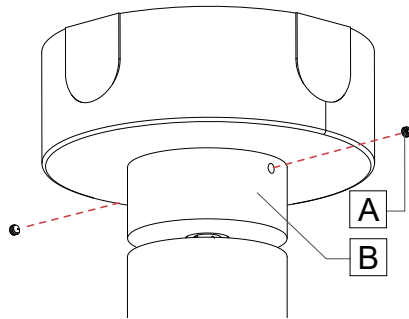
Place the housing assembly [B] over the canopy assembly [E] and secure with the provided set screws [A].



## CONDUIT FEED CANOPY

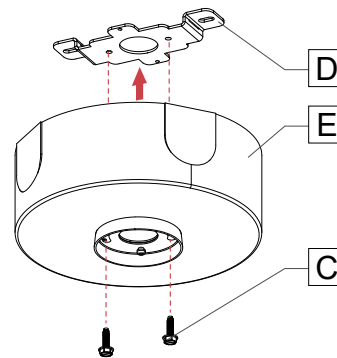
### 1 REMOVE SET SCREWS.

Remove set screws [A] from the housing assembly [B].



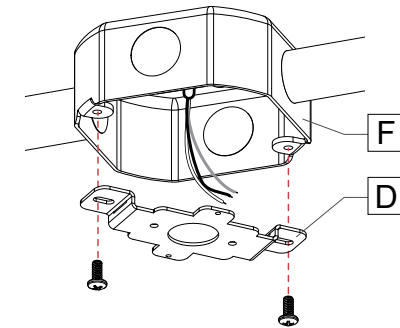
### 2 DETACH CROSSBAR.

Remove hex screws [C] to detach the crossbar [D] from the canopy assembly [E].



### 3 INSTALL CROSSBAR.

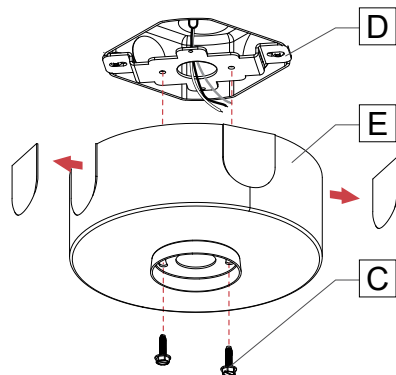
Attach and secure the crossbar [D] onto the junction box [F].



### 4 INSTALL CANOPY ASSEMBLY.

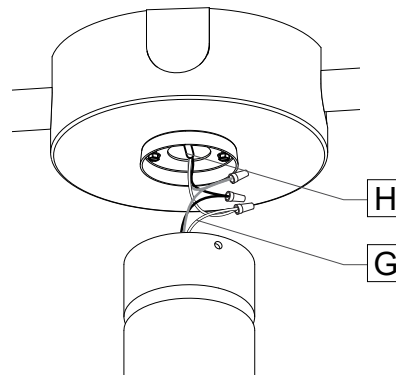
Remove the necessary knock outs to allow the conduits to connect onto junction box.

Attach the canopy assembly [E] with provided hex screws [C] onto the crossbar [D].



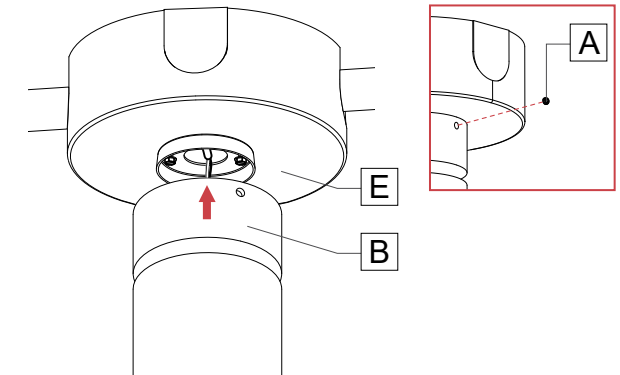
### 5 MAKE ELECTRICAL CONNECTIONS.

Make electrical connections between the fixture cable [G] and the main power [H] using wire nuts (by others).



### 6 INSTALL HOUSING ASSEMBLY.

Place the housing assembly [B] over the canopy assembly [E] and secure with the provided set screws [A].

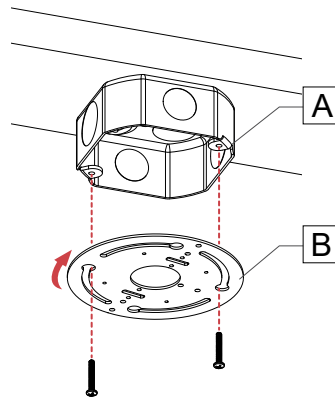


## DIRECT - JUNCTION BOX (Install option A - New construction)

### 1 INSTALL JUNCTION BOX AND MOUNTING PLATE.

Install and reinforce junction box [A] (by others) to ceiling structure.

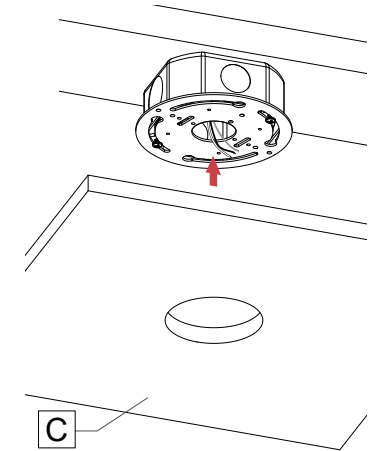
Mount and turn the mounting plate [B] to place on the junction box. Tighten screws to secure the mounting plate to the junction box.



### 2 PREPARE DRYWALL CEILING.

Install the drywall [C]. Prepare the area where the fixture is going to be installed.

Cut a 1 3/4" dia hole in the drywall.

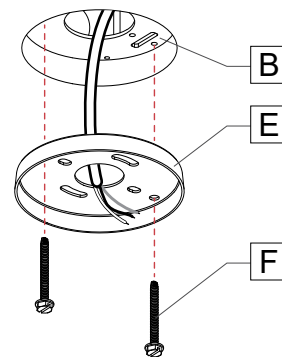
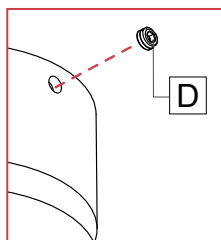


### 3 INSTALL ADAPTER PIECE TO CEILING.

Remove set screws [D] from the housing assembly.

Pass the main power cable through the adapter piece [E].

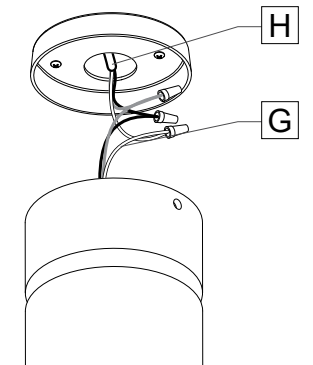
Attach the adapter piece [E] with provided hex screws [F] onto the mounting plate [B].



### 4 MAKE ELECTRICAL CONNECTIONS.

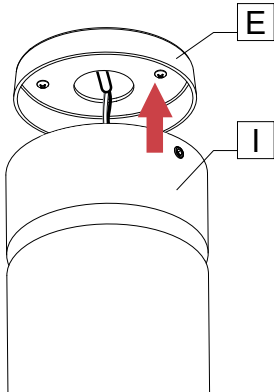
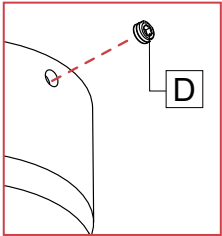
Make electrical connections between the fixture cable [G] and the main power [H] using wire nuts (by others).

**WARNING:** A luminaire with more than one power supply connection means shall be connected to only one branch circuit.



## 5 INSTALL HOUSING ASSEMBLY.

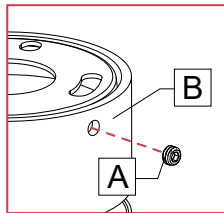
Put the housing assembly [I] back to the adapter piece [E] and secure with the provided set screws [D].



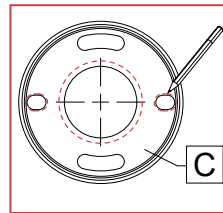
## DIRECT - DIRECT FEED (Install option B - Remodel)

### 1 INSTALL ADAPTER PIECE TO CEILING.

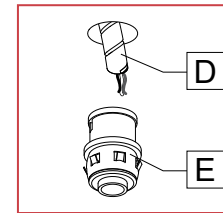
Remove set screws [A] from the housing assembly [B].



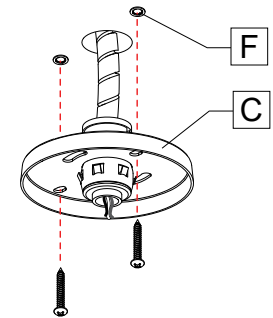
Locate where the fixture will be installed. Use the adapter piece [C] as a model to mark 2 mounting points and a 7/8" dia hole.



Pierce a 7/8" dia hole and bring the power cable [D] through the hole and connect the power cable to the adapter [E] (by others).



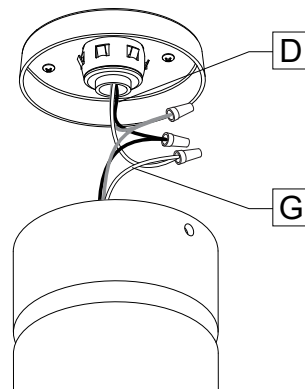
Install screw anchors [F] (by others) where the hole was made and install the adapter piece [C] with screws (by others).



### 2 MAKE ELECTRICAL CONNECTIONS.

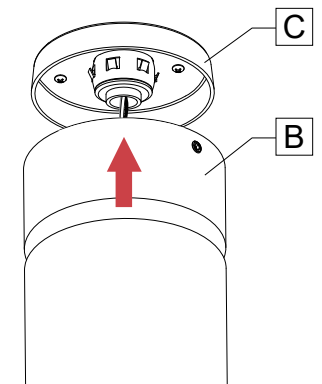
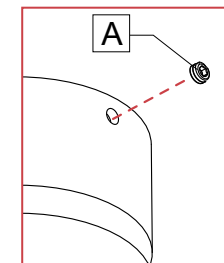
Make electrical connections between the fixture cable [G] and the main power [D] using wire nuts (by others).

**WARNING:** A luminaire with more than one power supply connection means shall be connected to only one branch circuit.



### 3 INSTALL HOUSING ASSEMBLY.

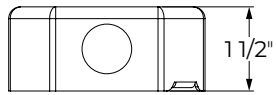
Place the housing assembly [B] back to the adapter piece [C] and secure with the provided set screws [A].



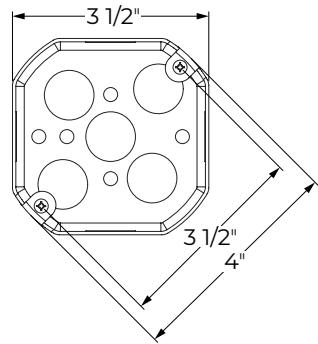
## OVERVIEW (Canopy Driver)

See pages [1 to 6](#) for Remote Driver installation instructions

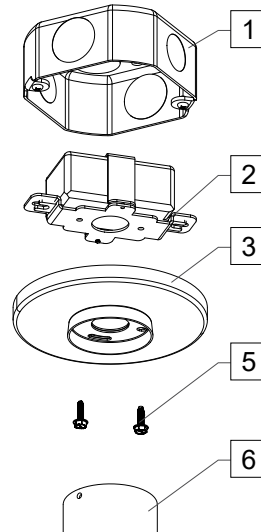
### Junction box (by others)



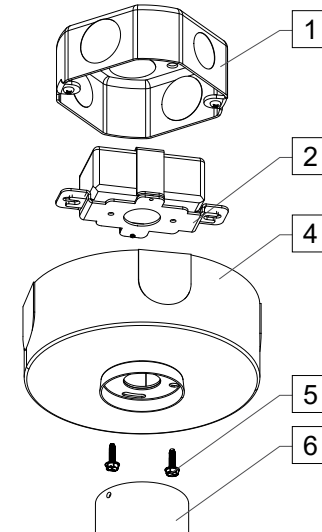
Standard 4" octagonal junction box



### Flat canopy



### Conduit feed



### Items list

1	Junction box (by others)
2	Driver bracket
3	Flat canopy assembly
4	Conduit canopy assembly
5	6-32 screw
6	Housing assembly

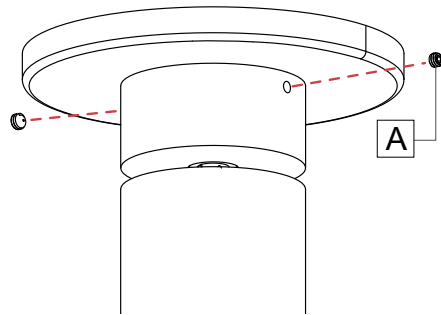
### Tools required

- Allen key 5/64
- Philips screwdriver
- Socket screwdriver 1/4"

## FLAT CANOPY

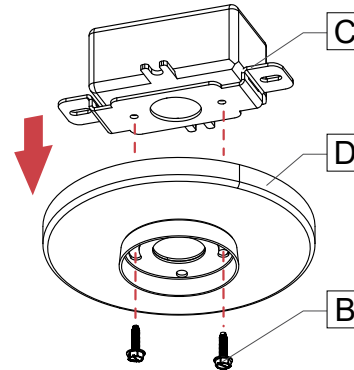
### 1 REMOVE SET SCREWS.

Remove set screws **[A]** from the housing assembly.



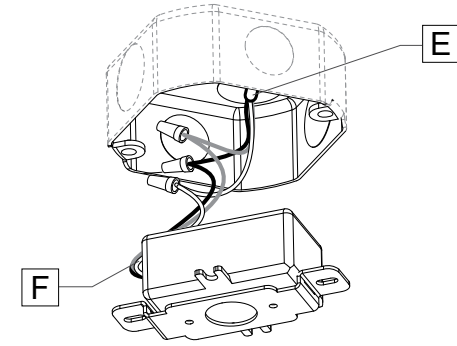
### 2 DETACH DRIVER BRACKET.

Remove hex screws **[B]** to detach the driver bracket **[C]** from the canopy assembly **[D]**.



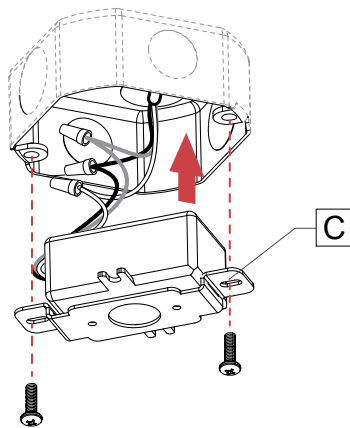
### 3 MAKE ELECTRICAL CONNECTIONS.

Make the electrical connections between the main power cable **[E]** and the wires **[F]** from the driver box with the wire nuts (by others).



### 4 INSTALL DRIVER BRACKET.

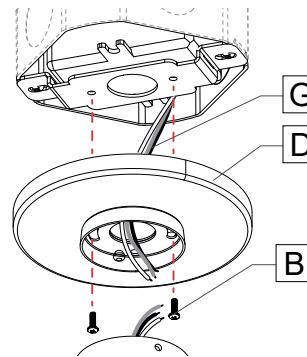
Mount and secure the driver bracket **[C]** on the junction box.



### 5 INSTALL CANOPY ASSEMBLY.

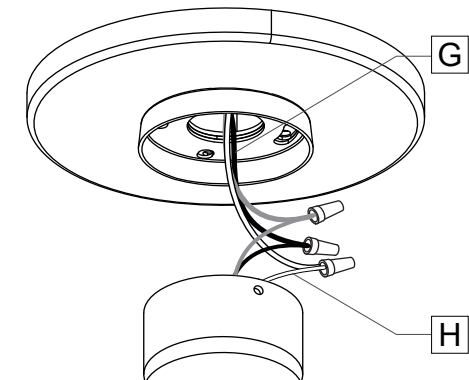
Pull the wires **[G]** from the driver box through the canopy assembly **[D]**.

Attach the canopy assembly **[D]** with provided hex screws **[B]** onto the driver bracket **[C]**.



### 6 MAKE ELECTRICAL CONNECTIONS.

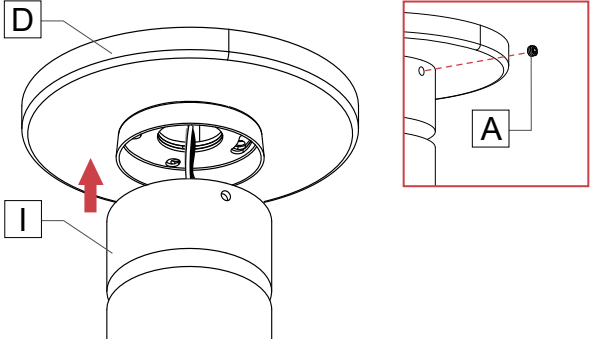
Make electrical connections between the fixture cable **[H]** and the wires **[G]** from the driver using wire nuts (by others).





## 7 INSTALL HOUSING ASSEMBLY. ....

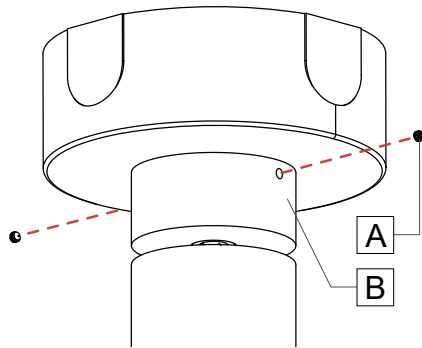
Place the housing assembly [I] over the canopy assembly [D] and secure with the provided set screws [A].



## CONDUIT FEED CANOPY

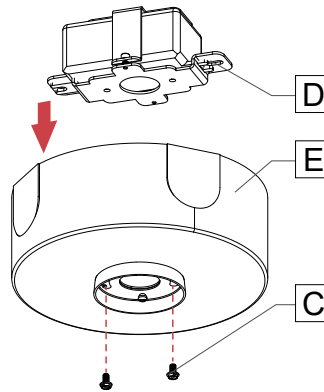
### 1 REMOVE SET SCREWS.

Remove set screws [A] from the housing assembly [B].



### 2 DETACH DRIVER BRACKET.

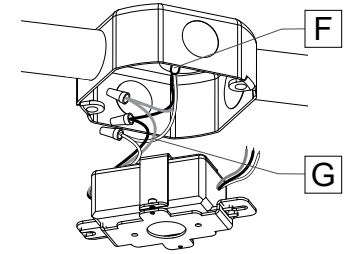
Remove two screws [C] to detach the driver bracket [D] from the canopy assembly [E].



### 3 MAKE ELECTRICAL CONNECTIONS.

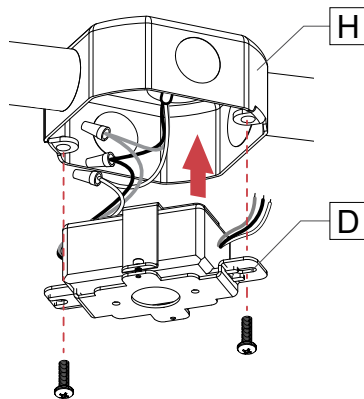
Make the electrical connections between the main power [F] and the wires [G] from the driver with the wire nuts (by others).

**WARNING:** A luminaire with more than one power supply connection means shall be connected to only one branch circuit.



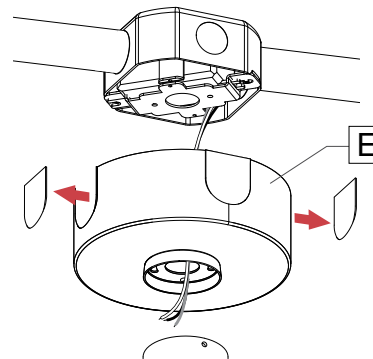
### 4 INSTALL DRIVER BRACKET.

Fix the driver bracket [D] to the junction-box [H] with screws.



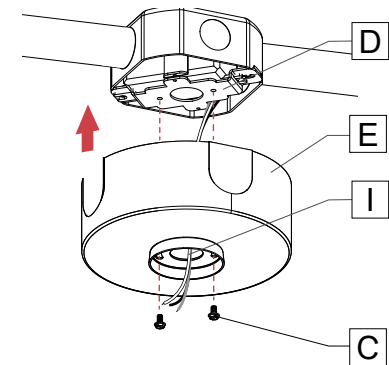
### 5 INSTALL CANOPY ASSEMBLY.

Remove the necessary knock outs to allow the conduits [E] to connect onto junction box.



Pull the wires [I] from the driver box through the canopy assembly [E].

Attach the canopy assembly [E] with provided hex screws [C] onto the driver bracket [D].

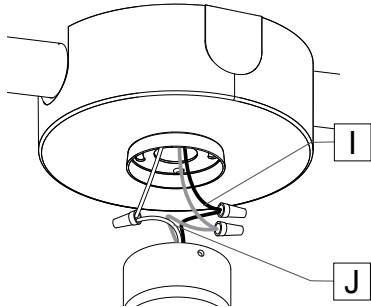


# DOT/BOX/DOT CYLINDER

LUMENWERX

## 6 MAKE ELECTRICAL CONNECTIONS TO FIXTURE.

Make the electrical connections between the wires [I] from the driver and the fixture cable [J] with the wire nuts (by others).



## 7 INSTALL HOUSING ASSEMBLY.

Place the housing assembly [B] over the canopy assembly [E] and secure with the provided set screws [A].

