

DOWNLIGHT

Mounting options - ASB, FMB, ACB, AHC



INSTALLATION INSTRUCTIONS

! This product must be installed in accordance with the National Electrical Code and all applicable local codes, by a person familiar with the construction and operation of the product, and the hazards involved. Proper grounding is required for safety.

Ce produit doit être installé selon le code national de l'électricité, ainsi que tous les codes locaux applicables, par une personne familière avec la construction et le fonctionnement du produit, ainsi que tous les risques qui y sont associés. La mise à terre électrique est obligatoire pour la sécurité.

! Install per national installation and accident prevention regulations.

Clearance between sides of luminaire and parts of building must be 1/2" minimum; clearance to insulating materials to be 3" minimum, unless luminaire is IC rated.

Fixtures must be installed in applications where the ambient temperature does not exceed 40 °C during normal operation.

! Disconnect power before installation or servicing.

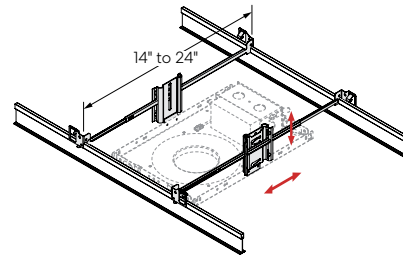
! Wire dimming conductors as Class 1.

💡 A luminaire with more than one power supply connection means shall be connected to only one branch circuit.

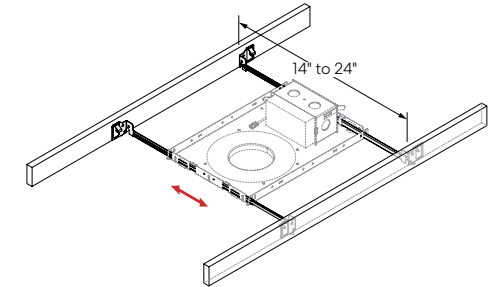
💡 For electrical connections, please refer to the [wiring diagram guide](#).



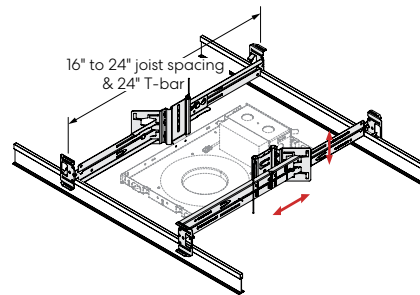
💡 Shown with Open Frame Type Non-IC (OF) installation type. Applicable to all installation types.



ASB - ADJUSTABLE STANDARD BAR HANGERS

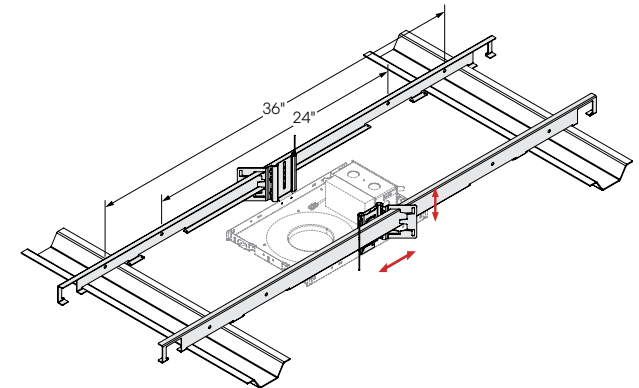


FMB - FLUSH MOUNT BARS



ACB - ADJUSTABLE COMMERCIAL BAR HANGERS

* Extensions to 36' and 48' available, consult factory



AHC - ADJUSTABLE HAT CHANNEL BARS

INDEX

Preparation	P2
Bar hanger installation	
ASB	P3
FMB	P4
ACB	P5
AHC	P6

Housing installation	
T-bar structure	P7
Wooden joist structure	P8
Hat channel structure	P9
Electrical connections	P10

TOOLS REQUIRED

- Philips screwdriver
- Hammer (for ASB, FMB, ACB)
- Pliers (as required)

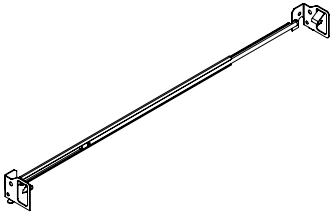
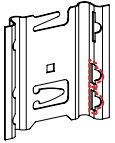
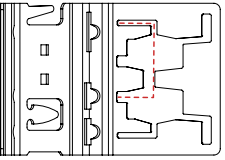
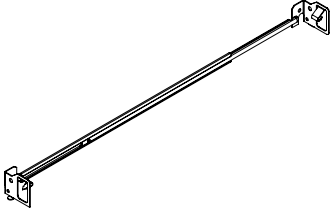
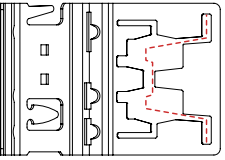
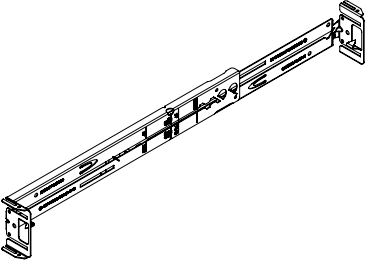
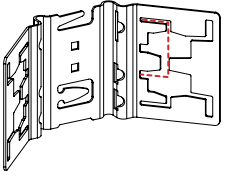
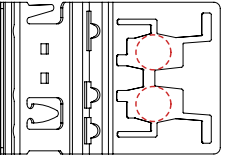
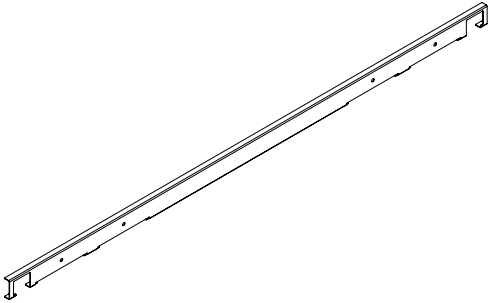
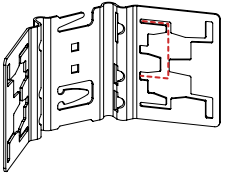
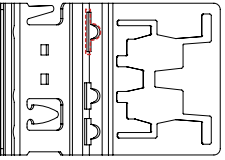
DOWNLIGHT

Mounting options - ASB, FMB, ACB, AHC



PREPARATION

Identify the bar hanger position in the butterfly bracket based on your type of bar hanger.

BAR HANGERS		BRACKETS		BAR HANGERS		BRACKETS	
ASB		1/2" bar hangers		ACB (bar hangers by others)	1/2" x 1 1/2" channel (2 positions)		
FMB		The bar hangers are installed into the slots of the mounting plate.			Furring strip channel		
ACB		1/2" x 1 1/2" channel (2 positions)			Ø 1/2" EMT		
AHC		1/2" x 1 1/2" channel (2 positions)			5/8" - 3/4" bar hangers		

DOWNLIGHT

Mounting options - ASB, FMB, ACB, AHC

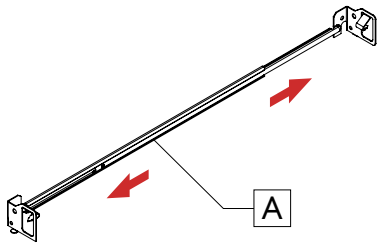


BAR HANGER INSTALLATION

ASB - ADJUSTABLE STANDARD BAR HANGERS

1 PREPARE BAR HANGERS.

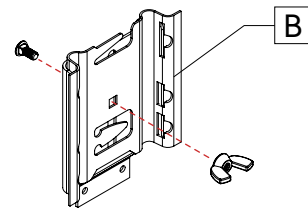
Separate the bar hangers [A].



2 MOUNT BRACKETS.

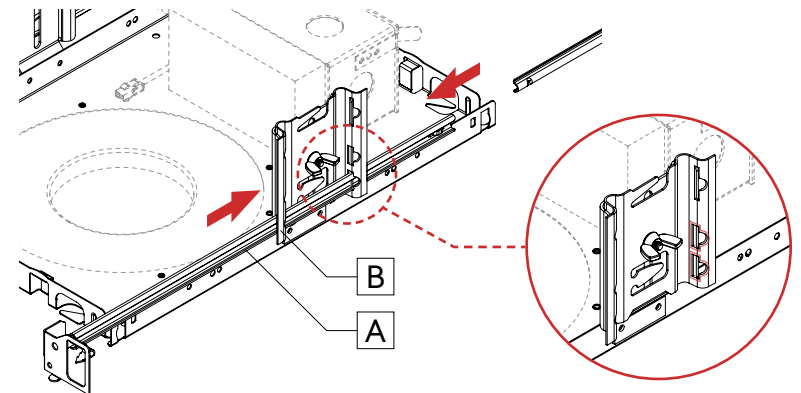
Mount caterpillar brackets [B] to housing brackets with screws and wing nuts.

Note: Do not overtighten screws.



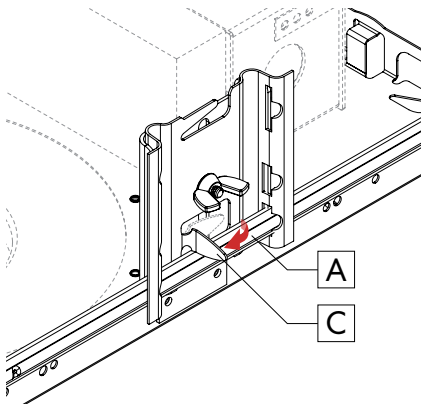
3 INSTALL BAR HANGERS.

Slide the bar hangers [A] into the caterpillar brackets [B] and adjust to the required length.



4 LOCK BAR HANGERS.

Lock bar hangers [A] in place by twisting tabs [C] outwards with pliers.



DOWNLIGHT

Mounting options - ASB, FMB, ACB, AHC

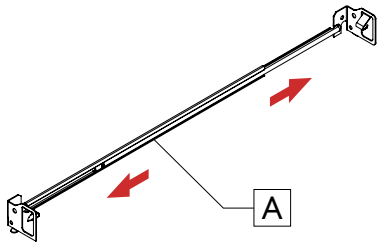


BAR HANGER INSTALLATION

FMB - FLUSH MOUNT BARS

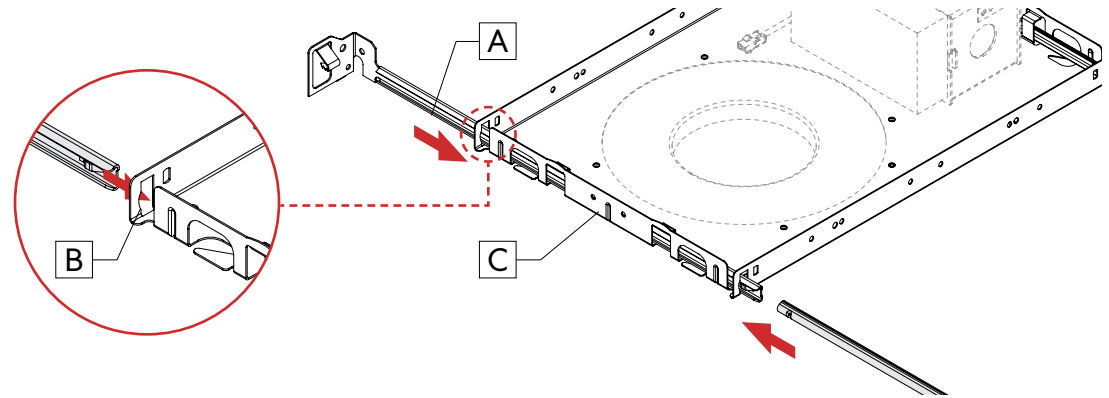
1 PREPARE BAR HANGERS.

Separate the bar hangers [A].



2 INSTALL BAR HANGERS.

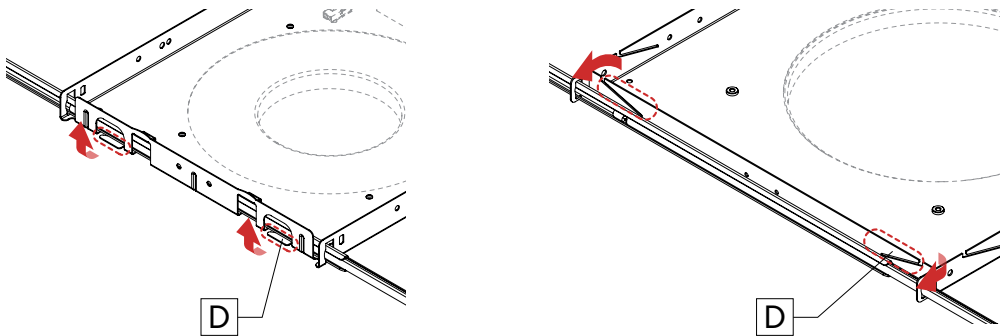
Slide the flush mount bars [A] into the slots [B] of the mounting frame [C] and adjust to the required length.



3 LOCK BAR HANGERS.

Lock flush mount bars in place by twisting tabs [D] upwards or outwards with pliers.

Note: Locking tabs may vary depending on the mounting plate.



DOWNLIGHT

Mounting options - ASB, FMB, ACB, AHC

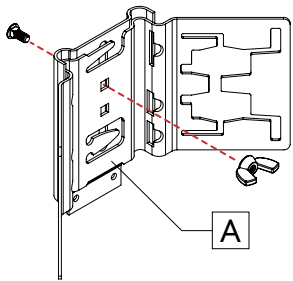
BAR HANGER INSTALLATION

ACB - ADJUSTABLE COMMERCIAL BAR HANGERS

1 MOUNT BRACKETS.

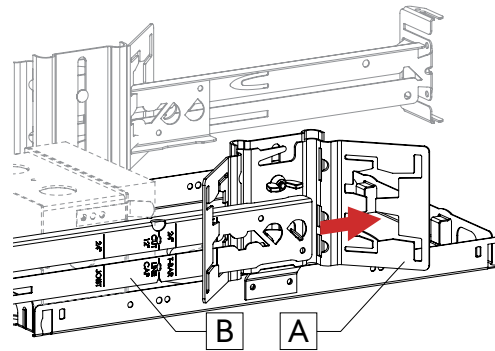
Mount butterfly brackets [A] to housing brackets with screws and wing nuts.

Note: Do not overtighten screws.

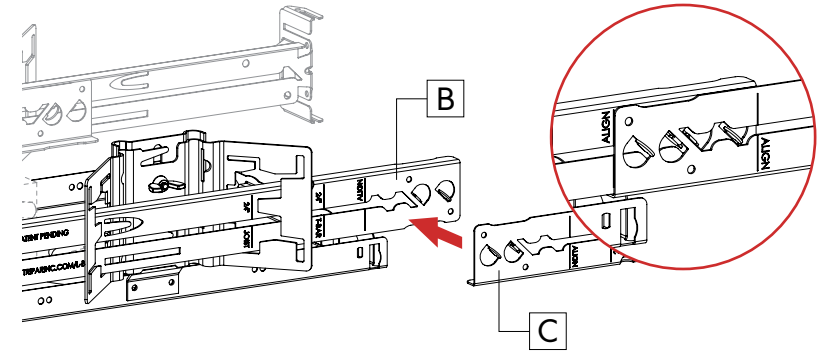


2 INSTALL BAR HANGERS.

Slide the first part [B] of the adjustable commercial bar hanger into the butterfly bracket [A].



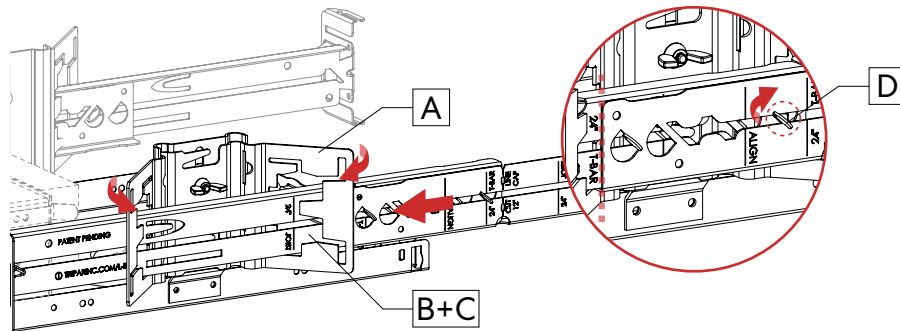
Align the second part [C] of the adjustable commercial bar hanger to the first part [B] and slide it.



3 ADJUST BAR HANGER LENGTH.

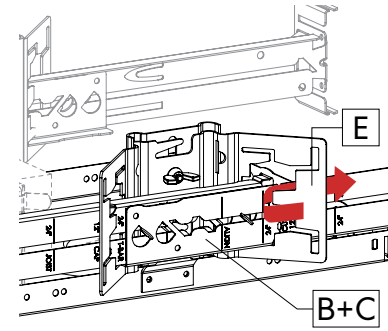
Push the bar hangers [B+C] together further into the butterfly bracket [A] and adjust to the required length. Twist tabs [D] vertically with pliers.

Note: Squeeze the edges of the butterfly bracket for easier sliding, and release to lock.



4 LOCK BAR HANGERS.

Lock the bar hangers [B+C] in place by twisting the tabs [E] inwards with pliers to the bar hangers.



DOWNLIGHT

Mounting options - ASB, FMB, ACB, AHC

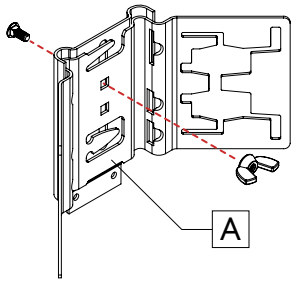
BAR HANGER INSTALLATION

AHC - ADJUSTABLE HAT CHANNEL BARS

1 MOUNT BRACKETS.

Mount butterfly brackets [A] to housing brackets with screws and wing nuts.

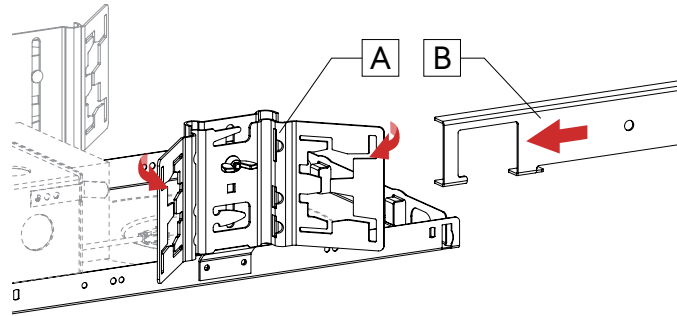
Note: Do not overtighten screws.



2 INSTALL BAR HANGERS.

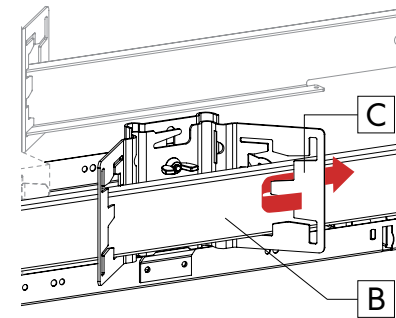
Slide the hat channel bar hangers [B] into the butterfly brackets [A] and adjust to the required position.

Note: Squeeze the edges of the butterfly bracket for easier sliding, and release to lock.



3 LOCK BAR HANGERS.

Lock the hat channel bar hangers [B] in place by twisting the tabs [C] inwards with pliers to the bar hangers.



DOWNLIGHT

Mounting options - ASB, FMB, ACB, AHC

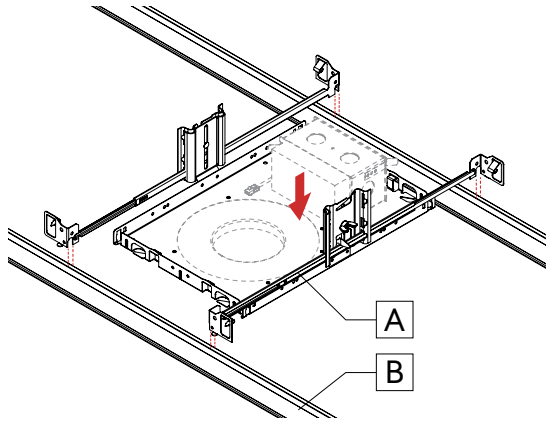


HOUSING INSTALLATION

T-BAR (ASB, ACB)

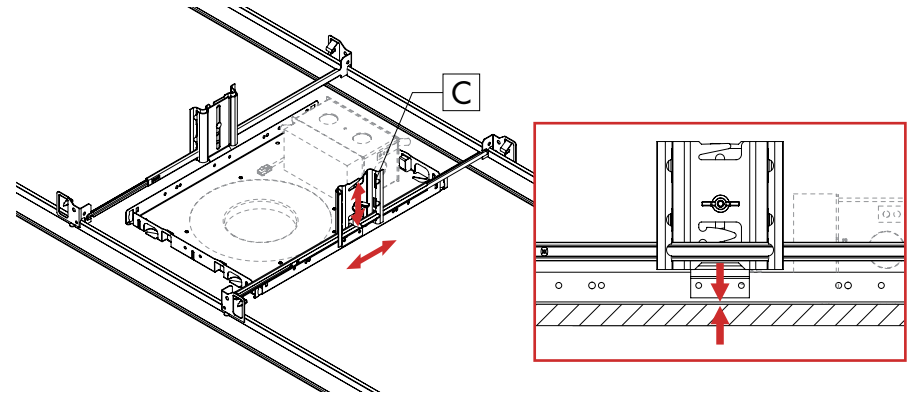
1 MOUNT HOUSING ON T-BAR.

Mount bar hangers [A] on T-bar [B] in ceiling.



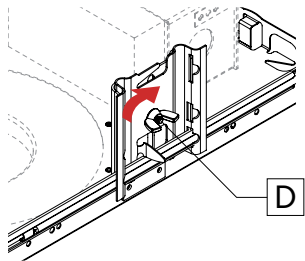
2 ADJUST HOUSING POSITION.

Adjust the caterpillar brackets [C] or butterfly brackets to align the bottom of the mounting plate to the top of the ceiling surface.

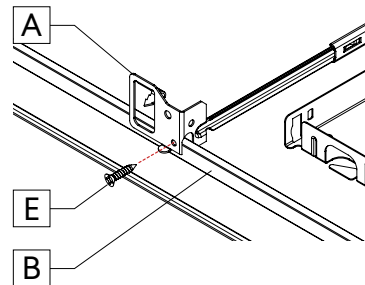


3 LOCK BRACKETS AND BAR HANGERS.

Once height adjustment is done, tighten the screws [D].



Secure the bar hangers [A] to the T-bars [B] with screws [E] (by others).



DOWNLIGHT

Mounting options - ASB, FMB, ACB, AHC



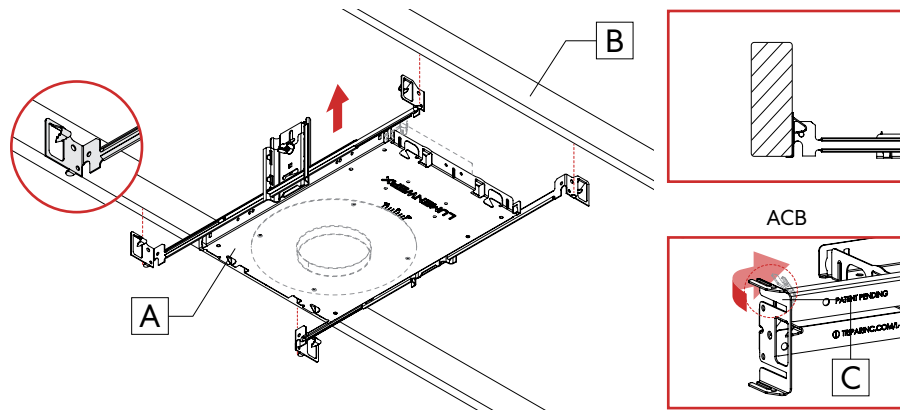
HOUSING INSTALLATION

WOODEN JOIST (ASB, FMB, ACB)

1 MOUNT HOUSING IN CEILING.

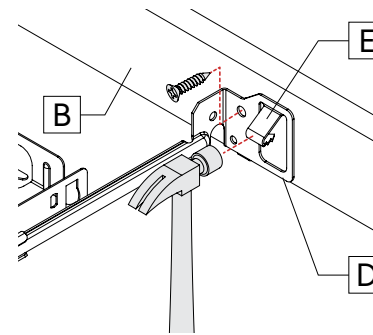
Raise the housing [A] to the wooden joist [B] from below.

Note: For ACB, bend the upper alignment tabs [C] inwards before raising the housing.



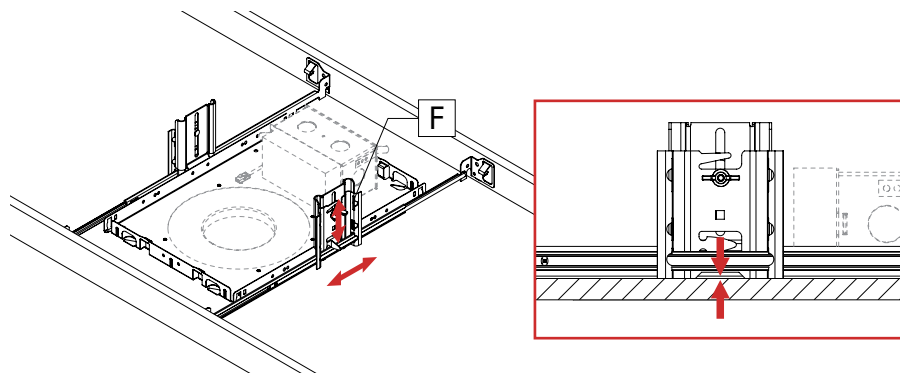
Mount bar hangers [D] into the wooden joist [B] by hammering in pin tabs [E].

Secure the bar hangers [D] to the wooden joist [B] with screws (by others).



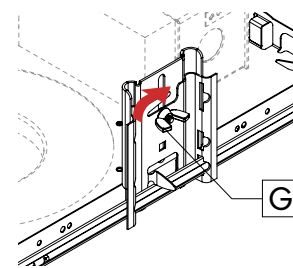
2 ADJUST HOUSING POSITION.

Adjust the caterpillar brackets [F] or butterfly brackets to align the bottom of the mounting plate to the top of the ceiling surface.



3 LOCK BRACKETS.

Once height adjustment is done, tighten the screws [G].



DOWNLIGHT

Mounting options - ASB, FMB, ACB, AHC

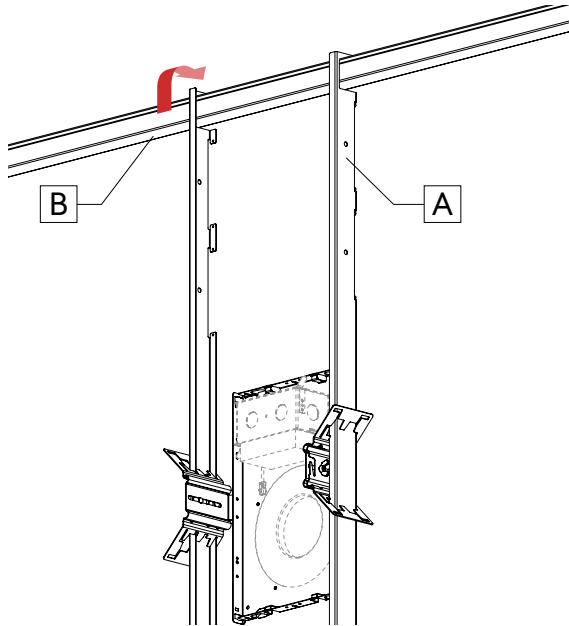


HOUSING INSTALLATION

HAT CHANNEL (AHC)

1 HANG MOUNTING FRAME.

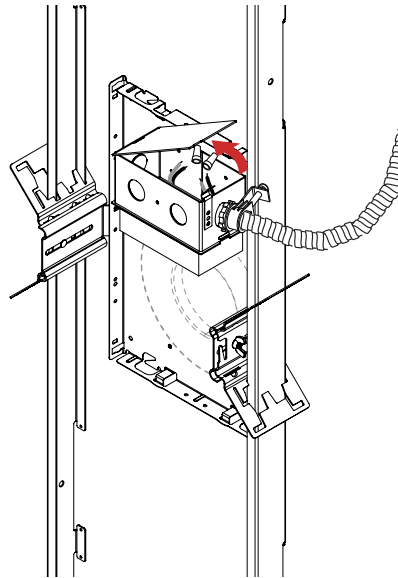
With hat channel bar hangers [A] locked in place, hang the housing onto the hat channel [B] in ceiling.



2 MAKE ELECTRICAL CONNECTIONS.

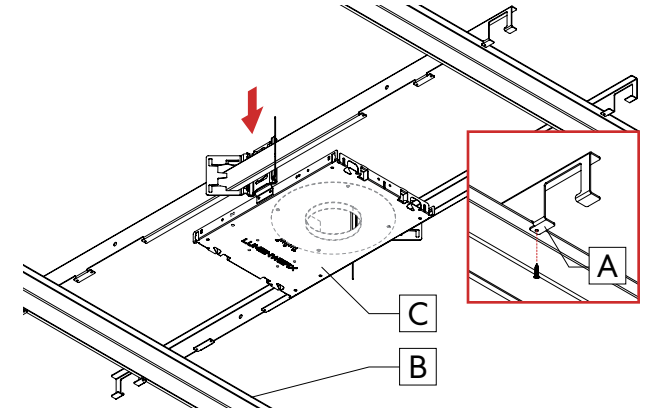
Make electrical connections.

Note: See page 10 for electrical connection steps.



3 MOUNT ON HAT CHANNEL.

Place housing [C] onto hat channels [B] in ceiling. Secure the bar hangers [A] to the hat channels with screws (by others).



DOWNLIGHT

Mounting options - ASB, FMB, ACB, AHC

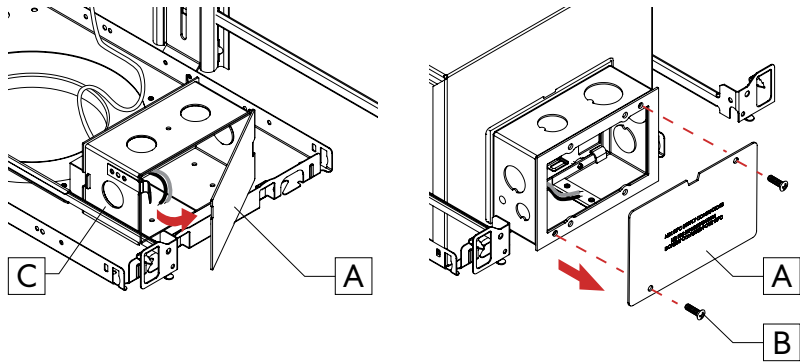


ELECTRICAL CONNECTIONS

1 OPEN ELECTRICAL BOX.

Unsnap and pivot the cover [A] or remove screws [B] to access the electrical box [C].

Note: Driver boxes may vary. Refer to the fixture's installation sheet.



2 MAKE ELECTRICAL CONNECTIONS.

Install the armored main power cable [D] (by others) to knockout and make the electrical connections with wire nuts [E] (by others). Snap or screw the cover [A] back to finish.

Note: For electrical connections, please refer to the [wiring diagram guide](#).

