

# ECANA 3" DOWNLIGHT

## SQUARE RECESSED WALL WASH



Trimless



Flanged Trim



The Ecana downlight family is designed as round or square fixtures with simple detailing, available in 3", 4", and 6" sizes. The family includes fixed, adjustable, and wall wash configurations and blends effortlessly into various settings, enriching small and large-scale projects with practical, cost-effective, and finely tuned lighting.

### Ceiling Types



Drywall



Millwork



Acoustic Tile

### Beam Angles



Wall Wash

Low UGR < 10

### Plenum Clearance

As low  
as 4"



### Performance

LUMEN OUTPUT <sup>1</sup>	WATTS	EFFICACY
601 lm	10 W	60 lm/W
822 lm	14 W	59 lm/W
1135 lm	20 W	57 lm/W

<sup>1</sup>Lumen packages are assuming 3500K, 80 CRI.

### Light Source

Static White  
SOLA - Dim-to-Warm  
DUO - Tunable White



### Ecana Family (Refer to other spec sheets)



3" / 4" / 6"  
Round / Square  
Recessed Adjustable



3" / 4" / 6"  
Round / Square  
Recessed



3" / 4" / 6"  
Round / Square  
Recessed Wall Wash

# ECANA 3" DOWNLIGHT

## SQUARE RECESSED WALL WASH



Project: \_\_\_\_\_

Type: \_\_\_\_\_

### Order Guide

#### 1 - Housing (Example: EC3SRWW-TRM-SW-OF-ASB-120V-10W-D1-NA)

LUMINAIRE ID <sup>1</sup>	TRIM STYLE	LIGHT SOURCE	INSTALLATION TYPE	MOUNTING OPTION <sup>4</sup>
<b>EC3SRWW</b>				
<b>EC3SRWW</b> - Ecana 3" Square Recessed Wall Wash  <sup>1</sup> Recessed (fixed) and Recessed Adjustable also available. Consult other spec sheets.	<b>TRM</b> - Flanged trim <b>TLMP</b> - Trimless drywall mudplate <b>TLMW</b> <sup>2</sup> - Trimless millwork	<b>SW</b> - Static white  <b>SOLA</b> - Dim-to-warm single channel control <b>DUO</b> - Tunable white 2-channel control	<b>OF</b> - Open Frame Type Non-IC <b>IC</b> <sup>3</sup> - Type-IC <b>RM</b> - Remodel Type Non-IC <b>CP</b> <sup>3</sup> - Chicago Plenum Type-IC (CCEA) <b>AT</b> <sup>3</sup> - Airtight Type-IC  <sup>3</sup> Not available with 19 W output and higher.	<b>ASB</b> <sup>5</sup> - Adjustable standard bar hangers <b>FMB</b> <sup>5</sup> - Flush mount bars <b>ACB</b> <sup>5</sup> - Adjustable commercial bar hangers <b>AHC</b> <sup>5</sup> - Adjustable hat channel bars <b>NA</b> - None  <sup>4</sup> See page 4 for more details. <sup>5</sup> Not available with RM installation type.

VOLTAGE	WATTAGE	DIMMING <sup>7</sup>	OPTION
<b>120V</b> - 120V <b>277V</b> - 277V <b>UNV</b> - 120V-277V <b>347V</b> <sup>6</sup> - 347V  <sup>6</sup> Available with RD1 driver only. Please consult factory.	<b>10W</b> - 10 W output, up to 601 lm <b>14W</b> - 14 W output, up to 822 lm <b>20W</b> <sup>7,8</sup> - 20 W output, up to 1135 lm  <b>SOLA</b> <sup>8</sup> <b>19W</b> - 19 W output, up to 1050 lm  <b>DUO</b> <sup>8</sup> <b>19W</b> - 19 W output, up to 970 lm	<b>INTEGRAL</b> <b>D1</b> - 1% 0-10V <b>ELV</b> <sup>10</sup> - ELV 120V <b>TRI</b> <sup>10</sup> - TRIAC 120V <b>DA</b> <sup>11,12</sup> - DALI <b>ELD1</b> <sup>11</sup> - eldoLED 1% ECOdrive 0-10V <b>ELDO</b> <sup>11</sup> - eldoLED 0.1% SOLOdrive 0-10V <b>PEQO</b> <sup>12,13</sup> - Lutron Hi-lume Premier 0.1% EcoSystem  <sup>9</sup> PoE (Power-over-Ethernet) compatible. Consult factory for details. <sup>10</sup> Available with 120V only. <sup>11</sup> Not available with RM installation type. <sup>12</sup> On-site commissioning is required. <sup>13</sup> Available with OF installation type only.	<b>REMOTE</b> <sup>14</sup> <b>RD1</b> - 1% 0-10V <b>RELV</b> <sup>15</sup> - ELV 120V <b>RTRI</b> <sup>15</sup> - TRIAC 120V <b>RLDE1</b> <sup>16</sup> - Lutron Hi-lume 1% Eco <b>RDA</b> <sup>16</sup> - DALI <b>RELD1</b> - eldoLED 1% ECOdrive 0-10V <b>RELDO</b> - eldoLED 0.1% SOLOdrive 0-10V <b>RPEQO</b> <sup>16</sup> - Lutron Hi-lume Premier 0.1% EcoSystem <b>+EB</b> <sup>17</sup> - Emergency battery  <sup>14</sup> A remote driver box is provided, see page 3 for details. <sup>15</sup> Available with 120V only. <sup>16</sup> On-site commissioning is required. <sup>17</sup> For emergency battery, code will be like the following example: RD1+EB
		<b>SOLA</b> <b>SD1</b> - Single 0-10V input <b>SELV</b> <sup>10</sup> - ELV 120V <b>STRI</b> <sup>10</sup> - TRIAC 120V	<b>PMP</b> <sup>18</sup> - Pre-mounting plate <b>NA</b> - None  <sup>18</sup> Available with RM installation type only.
		<b>SOLA</b> <b>RSD1</b> - Single 0-10V input <b>RSELV</b> <sup>15</sup> - ELV 120V <b>RSTRI</b> <sup>15</sup> - TRIAC 120V	<b>DUO</b> <b>RDMX</b> <sup>16</sup> - DMX <b>RDDA</b> <sup>16</sup> - DALI DT6 <b>RDDA8</b> <sup>16</sup> - DALI DT8 <b>RDD1</b> - Dual 0-10V input for CCT/intensity <b>RPSQO</b> <sup>16</sup> - Lutron T-Series 1% tunable white

#### 2 - Light & Baffle (Example: EC3SRWWB-SW-10W-WW-2STP-90CRI-27K-TRM-WW-FTMW-FTMW)

LUMINAIRE ID	LIGHT SOURCE Specify same as Housing	WATTAGE Specify same as Housing	BEAM	COLOR QUALITY	CRI	COLOR TEMP.
<b>EC3SRWWB</b>			<b>WW</b>			
<b>EC3SRWWB</b> - Ecana 3" Square Recessed Wall Wash	<b>SW</b> - Static white	<b>10W</b> - 10 W output, up to 601 lm <b>14W</b> - 14 W output, up to 822 lm <b>20W</b> <sup>19,20</sup> - 20 W output, up to 1135 lm  <sup>19</sup> Not available with 95 CRI when specified with RM. <sup>20</sup> Not available with IC/CP/AT.	<b>WW</b> - Wall wash	<b>2STP</b> - 2 Step MacAdam Ellipse <b>3STP</b> - 3 Step MacAdam Ellipse	<b>90CRI</b> - 90 CRI <b>95CRI</b> - 95 CRI <b>80CRI</b> - 80 CRI	<b>27K</b> - 2700K <b>30K</b> - 3000K <b>35K</b> - 3500K <b>40K</b> - 4000K
	<b>SOLA</b> - Dim-to-warm single channel control <b>DUO</b> - Tunable white 2-channel control	<b>SOLA</b> <sup>20</sup> <b>19W</b> - 19 W output, up to 1050 lm  <b>DUO</b> <sup>20</sup> <b>19W</b> - 19 W output, up to 970 lm		<b>3STP</b> - 3 Step MacAdam Ellipse	<b>90CRI</b> - 90 CRI	<b>SOLA</b> <b>30K18K</b> - 3000K to 1800K <b>27K18K</b> - 2700K to 1800K  <b>DUO</b> <b>65K27K</b> - 6500K to 2700K <b>50K27K</b> - 5000K to 2700K

TRIM STYLE Specify same as Housing	LENS	BAFFLE FINISH	TRIM FLANGE FINISH Specify NA for Trimless
	<b>WW</b>		
<b>TRM</b> - Flanged trim <b>TLMP</b> - Trimless drywall mudplate <b>TLMW</b> <sup>21</sup> - Trimless millwork  <sup>21</sup> For remodel (RM) installation type, TLMW adapter must be installed from above the ceiling or before ceiling is installed.	<b>WW</b> - Wall wash diffuser	<b>FTMW</b> - Textured matte white <b>FTMB</b> - Textured matte black <b>CF#</b> - Custom finish, specify RAL#	<b>FTMW</b> - Textured matte white <b>FTMB</b> - Textured matte black <b>CF#</b> - Custom finish, specify RAL# <b>NA</b> - Not applicable



# ECANA 3" DOWNLIGHT

## SQUARE RECESSED WALL WASH



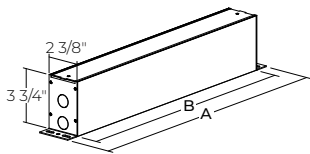
### Housing

INSTALLATION TYPES		
<b>OF</b> - Open Frame Type Non-IC	<b>IC</b> - Type-IC	<b>CP</b> - Chicago Plenum Type-IC (CCEA) <b>AT</b> - Airtight Type-IC
<b>RM</b> - Remodel Type Non-IC		
Integral	Remote	<b>PMP (Optional)</b> - Pre-mounting plate

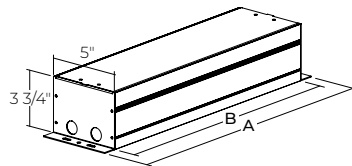
- For height dimension C, see the PLENUM CLEARANCE & CUT-OUT DIMENSIONS table below.
- For OF, IC, CP, and AT installation types with remote dimming, a remote driver box is provided.

### REMOTE DRIVER BOX

RDB8 / RDB18 / RDB24

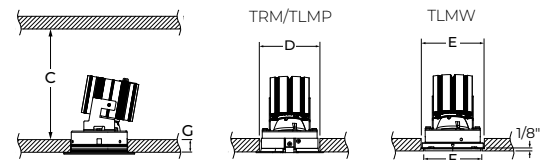


RDB24W



	RDB8	RDB18	RDB24	RDB24W
<b>A</b>	10"	20"	26"	26"
<b>B</b>	8"	18"	24"	24"
<b>DRIVER</b>	<b>RD1</b> - 1% 0-10V <b>RELV</b> - ELV 120V <b>RTRI</b> - TRIAC 120V <b>RPEQ0</b> - Lutron Hi-lume Premier 0.1% EcoSystem  <b>SOLA</b> <b>RSDI</b> - Single 0-10V input <b>RSELV</b> - ELV 120V <b>RSTRI</b> - TRIAC 120V	<b>RLDE1</b> - Lutron Hi-lume 1% Eco <b>RDA</b> - DALI <b>RELD1</b> - eldoLED 1% ECOdrive 0-10V <b>RELD0</b> - eldoLED 0.1% SOLOdrive 0-10V	Emergency battery (+EB) with the following driver options. <b>RD1+EB</b> - 1% 0-10V <b>RELV+EB</b> - ELV 120V <b>RTRI+EB</b> - TRIAC 120V <b>RPEQ0+EB</b> - Lutron Hi-lume Premier 0.1% EcoSystem  <b>DUO</b> <b>RDMX</b> - DMX <b>RDDA</b> - DALI DT6 <b>RDDA8</b> - DALI DT8 <b>RDD1</b> - Dual 0-10V input for CCT/intensity <b>RPSQ0</b> - Lutron T-Series 1% tunable white	Emergency battery (+EB) with the following driver options. <b>RLDE1+EB</b> - Lutron Hi-lume 1% Eco <b>RDA+EB</b> - DALI <b>RELD1+EB</b> - eldoLED 1% ECOdrive 0-10V <b>RELD0+EB</b> - eldoLED 0.1% SOLOdrive 0-10V

### PLENUM CLEARANCE & CUT-OUT DIMENSIONS



PLENUM CLEARANCE HEIGHT		
REMOTE & INTEGRAL		
<b>C</b>	<b>OF</b>	4" (10 W/14 W) 4 1/2" (20 W)
	<b>IC</b>	6 1/2"
	<b>CP/AT</b>	7"
	<b>RM</b>	4" (10 W/14 W) 4 1/2" (20 W)
CUT-OUT DIMENSIONS		
<b>D</b>	<b>TRM/ TLMP</b>	3 1/2" x 3 1/2"
<b>E</b>	<b>TLMW</b>	3 1/2" x 3 1/2"
<b>F</b>		3 1/16" x 3 1/16" with 1/8" lip
MAXIMUM CEILING THICKNESS		
<b>G</b>	<b>TRM/ TLMP</b>	1 3/8"
	<b>TLMW</b>	5/8"

# ECANA 3" DOWNLIGHT

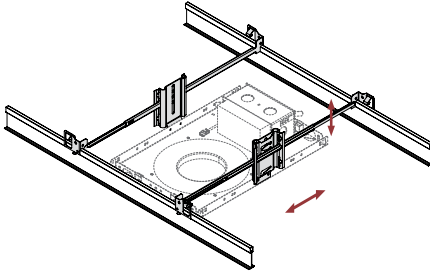
## SQUARE RECESSED WALL WASH



### Housing

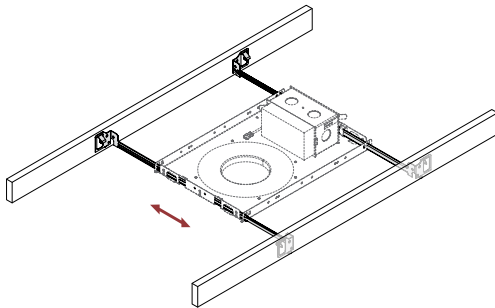
#### MOUNTING OPTIONS

##### ASB - Adjustable Standard Bar Hangers



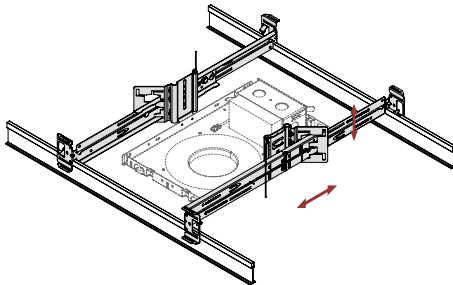
Adjustable Standard Bar hangers can be used in both commercial and residential applications and are adjustable to various heights in both Grid Ceiling and Drywall mounting. ASB hangers are less rigid and versatile than ACB hangers.

##### FMB - Flush Mount Bars



Flush Mount Bars are best used in residential applications, fitting snug to the surface and suitable for Wood, Metal, and Drywall mounting. The flush mounted bars are static and can't be adjusted.

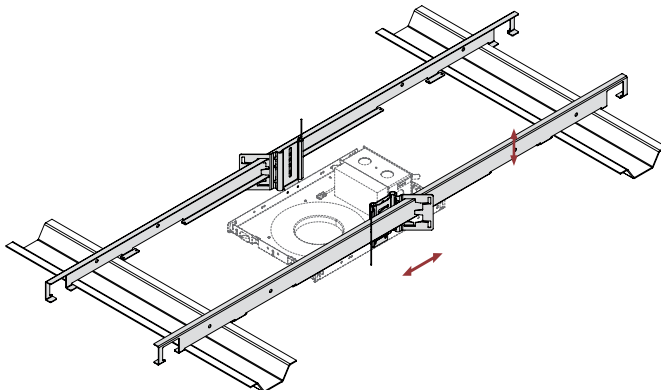
##### ACB - Adjustable Commercial Bar Hangers



Adjustable Commercial Bar hangers can be used in both commercial and residential applications and are by far the most versatile mounting bar we offer with its adjustability to various heights. ACB hangers are suitable for Grid Ceiling, Drywall, Metal, Wood and Frame mounting.

- Extremely rigid
- Fits into C-Channel notches in a Butterfly Bracket

##### AHC - Adjustable Hat Channel Bars



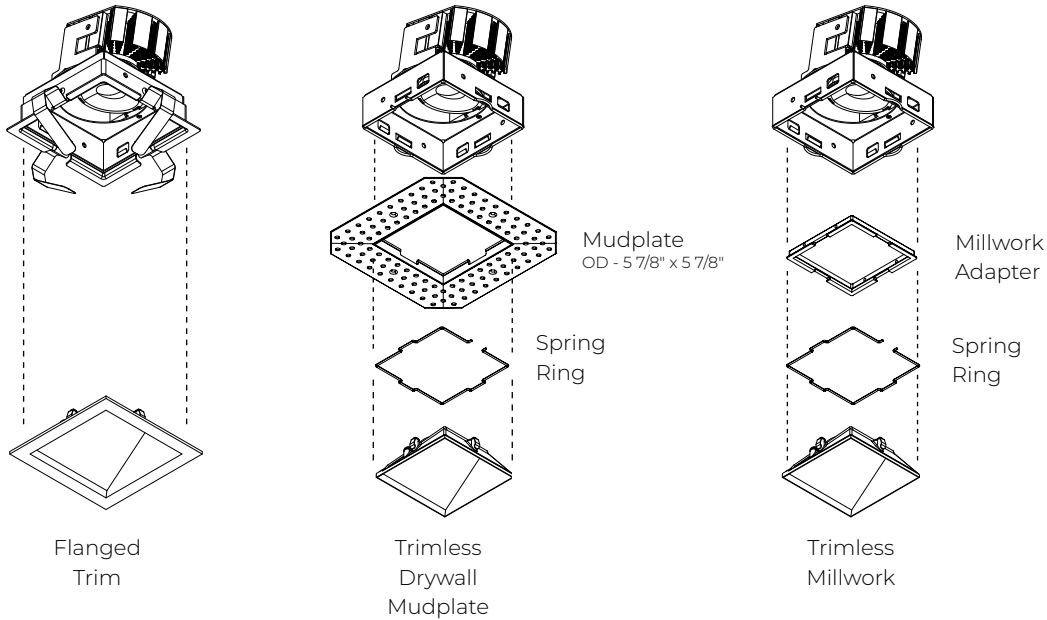
Adjustable Hat Channel bars can be used in both commercial and residential applications and come with a butterfly clip to adjust to various heights. AHC bars can be hung downward by 90 degrees in vertical position, and once wired, can be shifted onto the horizontal mounting plane. AHC bars are suitable for both Drywall and wood ceiling applications.

# ECANA 3" DOWNLIGHT

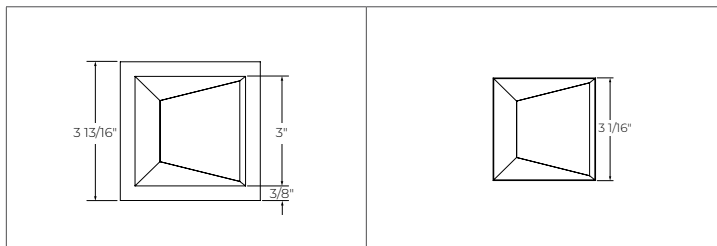
## SQUARE RECESSED WALL WASH



### Light & Baffle



TRM Flanged Trim	TLMP/TLMW Trimless Drywall Mudplate /Trimless Millwork
<p>■ Baffle finish</p> <p>■ Trim flange finish</p>	



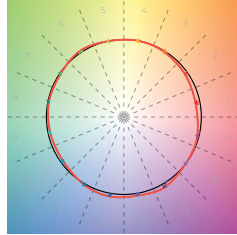
# ECANA 3" DOWNLIGHT

## SQUARE RECESSED WALL WASH



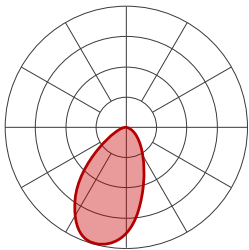
### Color Quality

COLOR QUALITY - 3500K	
TM-30 R <sub>r</sub>	92
TM-30 R <sub>g</sub>	100
CRI	90
R9	> 50



### Photometrics

Values calculated with white wall wash baffle, and based on 3500K for static white.



#### STATIC WHITE

	90 CRI		95 CRI		80 CRI	
	lm	lm/W	lm	lm/W	lm	lm/W
10 W	562	56	433	43	601	60
14 W	768	55	591	42	822	59
20 W	1061	53	817	41	1135	57

#### SOLA

	3000K		2700K	
	lm	lm/W	lm	lm/W
19 W	1050	55	1050	55

#### DUO

	6500K		5000K		2700K	
	lm	lm/W	lm	lm/W	lm	lm/W
19 W	970	51	970	51	845	44

### MULTIPLIERS

Please follow the multiplier tables to ensure correct lumen value. CCT and baffle colors will change the lumen value.

CCT		TRIM STYLE AND BAFFLE FINISH	
STATIC WHITE		Flanged trim	1
2700K	0.9	Trimless	1
3000K	0.95	White	1
3500K	1	Black	1
4000K	1.05		

# ECANA 3" DOWNLIGHT

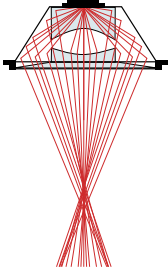
## SQUARE RECESSED WALL WASH



### Technical Specifications

#### OPTIC

XPoint™ Refraction Technology optics provide precise optical control in a remarkably compact form. Micro optical paths from the chip on board converge and then disperse in precise beam angles, resulting in a crisp and exacting light quality.



#### LIGHT SOURCE

##### Static white

Compact COB (Chip-On-Board) LED module, available in 2700K, 3000K, 3500K and 4000K with a choice of 80 CRI, 90 CRI, or 95 CRI, with elevated R9 value for 90 CRI and above. Color consistency is maintained to within 2 SDCM. All LEDs have been tested in accordance with IESNA LM-80-08 and the results have shown L80 lumen maintenance greater than 60,000 hours. Absolute product photometry is measured and presented in accordance with IESNA LM-79, unless otherwise indicated. Optional full spectrum LEDs can be incorporated in the fixture to increase Cyanosis Observation Index (COI) and assist in regulating circadian rhythms.

##### Chromawerx SOLA

Chromawerx SOLA is single-channel control that dims output while warming the color temperature in a pre-determined relationship. Two color temperature range options are offered: 3000K to 1800K, and 2700K to 1800K. A simple analog control adjusts a specially populated LED array to emulate the effect of dimming a filament source.

##### Chromawerx DUO

Chromawerx DUO offers a two-channel control system which uses analog or digital protocols for synchronous control of both cool to warm LED arrays - maintaining a CRI above 90. Two color temperature range options are offered: 6500K to 2700K, and 5000K to 2700K. The range of color DUO offers is useful for entraining circadian rhythms, stimulating alertness, and compensating for jet lag among other applications. The Chromawerx drivers are programmed to limit maximum light output and power usage across all color temperatures. When paired with DALI drivers (DDA/DDA8), color tuning follows a linear dimming curve.

#### ELECTRICAL

Unless otherwise specified, dimming down to 1%. At maximum driver load: efficiency>84%, PF>0.9, THD<20%.

**Integral:** 0-10V, ELV, TRIAC, Lutron Hi-Lume 1% EcoSystem, DALI, eldoLED 0.1% SOLOdrive 0-10V, eldoLED 1% ECOdrive 0-10V

**Remote:** 0-10V, ELV, TRIAC, Lutron Hi-Lume 1% EcoSystem, DALI, eldoLED 0.1% SOLOdrive 0-10V, eldoLED 1% ECOdrive 0-10V, DMX, Lutron T-series (tunable white)

**Emergency battery options:** Remotely-installed, long-life, high-temperature, maintenance-free, Bodine Lithium-Ion battery pack with self-test functionality, test switch and charge indicator. IOTA and Fulham options available upon request. Minimum of 90 minutes operation, and recharge time of 24 hours. For fixtures less than 10 W, the battery provides 6 W of emergency light output. For fixtures 10 W and over, the battery provides 10 W.

#### PoE

Depending on the PoE manufacturer selected, Lumenwerx will install the node in factory as either integral to the luminaire or as a remote module. Factory programming of the PoE node may or may not enable the following functionalities: lumen package, DUO (tunable white), QUADRO (RGBW), emergency battery backup, and sensor integration. These must be addressed and evaluated on a case-by-case basis.

#### CONSTRUCTION

##### Housing

For new construction, 20 gauge powder coated steel. Open frame, type-IC, or Chicago Plenum (CCEA) rated. 18 gauge galvanized steel junction box with ½" trade size knockouts. Adjustable hanger bars and butterfly brackets are included. Adjustable commercial hat channel and flush mounted brackets are also available.

##### Light element

**LED module:** Integral COB module. 90 CRI and 2 SDCM, Standard with options of 80 CRI, or 95 CRI. L80 > 60,000 hours.

**XPoint™ Refraction Technology optic:** Micro optical paths from the chip on board converge and then disperse in precise beam angles, resulting in a crisp and exacting light quality.

**Thermal management:** Die-cast aluminum heat sink to maximize thermal dissipation.

**Baffle:** Die-cast aluminum mounted with retaining spring clips

**Trim style:** Trimmed and trimless with mudplate or millwork adapter

# ECANA 3" DOWNLIGHT

## SQUARE RECESSED WALL WASH



### WEIGHT

**Open frame:** 4.3 lbs - 1.9 kg

**Type-IC:** 4.5 lbs - 2.0 kg

**Chicago Plenum:** 7.5 lbs - 3.4 kg

**Remodel:** 3.25 lbs - 1.5 kg

### ENVIRONMENT

Ambient temperature at fixture location shall be within 0°C/32°F - 25°C/77°F, indoor dry or damp as well as outdoor damp use (canopies or marquees).

### CERTIFICATIONS

**ETL:** Rated for indoor dry/damp locations. Conforms to UL Standard 1598 and certified to CAN/CSA Standard C22.2 No. 250.0.

**Chicago Plenum:** City of Chicago approved (CCEA) when specified with CP installation type option.

**IC rated:** Suitable for direct contact with insulation when specified with IC, CP or AT installation type options.

### WARRANTY

Lumenwerx provides a five-year limited warranty on electrical and mechanical performance of the luminaires, including the LED boards, drivers, and auxiliary electronics. Lumenwerx will repair or replace defective luminaires or components at our discretion, provided they have been installed and operated in accordance with our specifications. Other limitations apply, please refer to the full warranty on our website.