


ELIA MULTIPLE

Pendant - Remote Driver Box (RDB) - Single Canopy


LUMENWERX

OVERVIEW

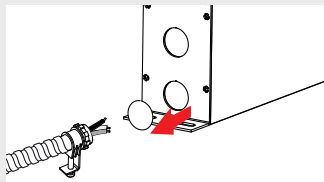
 This product must be installed in accordance with the National Electrical Code and all applicable local codes, by a person familiar with the construction and operation of the product, and the hazards involved. Proper grounding is required for safety.

Ce produit doit être installé suivant le code national de l'électricité, ainsi que tous les codes locaux applicables, par une personne familière avec la construction et le fonctionnement du produit, ainsi que tous les risques qui y sont associés. La mise à terre électrique est obligatoire pour la sécurité.

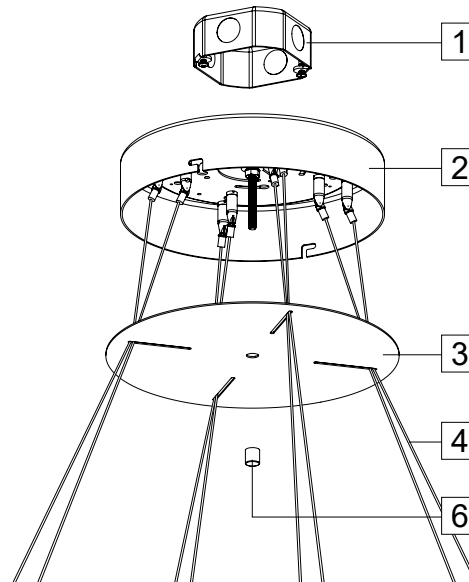
 Wire dimming conductors as Class 1.

 For electrical connections, follow the wiring diagrams on page 6 according to specified drivers in product configuration.

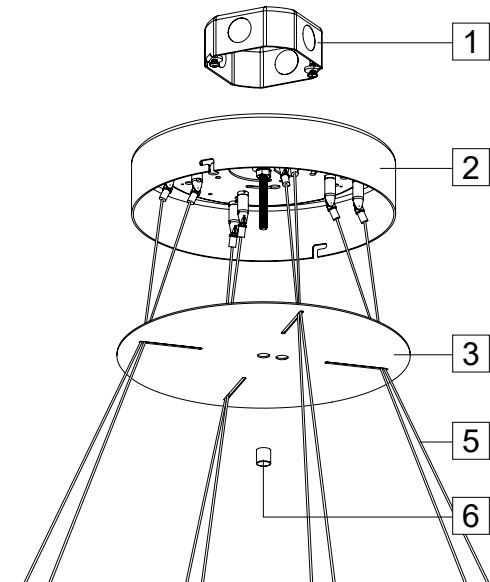
 For remote driver box, please refer to the [remote driver installation sheet](#) for more information.



POC
Power-over-aircraft cable



AC
Power cable + aircraft cable



Index

Go to pages related to product configuration.

POC.....	P.2
AC.....	P.4
Wiring diagrams.....	P.6

Items list

1	Standard J-box (by others)
2	Canopy
3	Canopy plate
4	Power-over-aircraft cable
5	Aircraft cable
6	Decorative nut

ELIA MULTIPLE

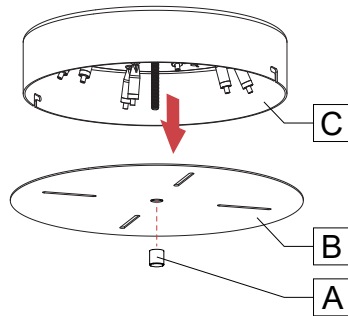
Pendant - Remote Driver Box (RDB) - Single Canopy

LUMENWERX

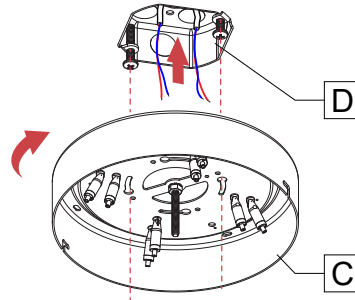
POC (Power-over-aircraft cable)

1 PREPARE MOUNTING POINTS.

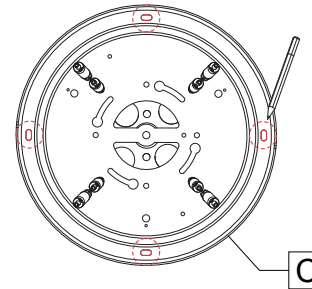
Loosen the decorative nut [A] on the canopy plate [B]. Separate the canopy plate [B] from the canopy [C].



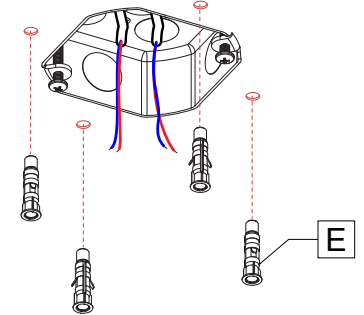
Fix the canopy [C] on the junction box [D].



Use the canopy [C] as a model to mark 4 holes.

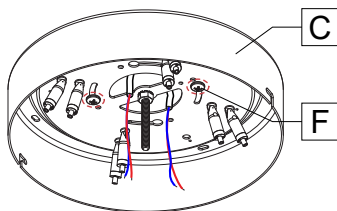


Remove the canopy. Drill holes (1/4" diameter) following the red marks. Install #8 screw anchors [E].

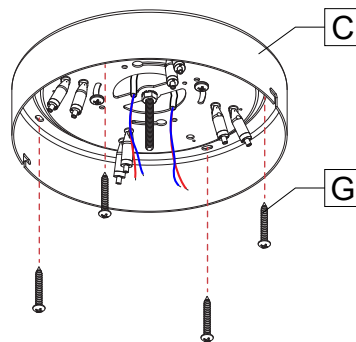


2 FIX CANOPY TO CEILING.

Tighten the two screws [F] to secure the canopy [C] to the junction box.



Use #8 screws [G] to fasten the canopy [C] to the ceiling.

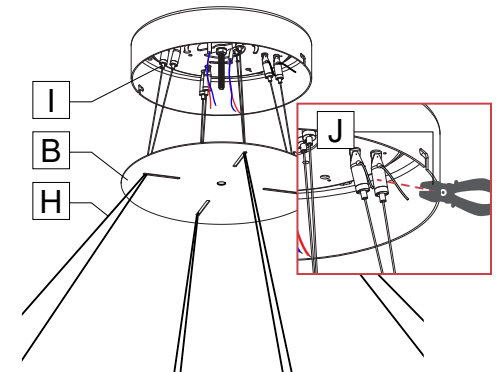


3 INSTALL AIRCRAFT CABLES.

Pass all aircraft cables [H] through the canopy plate [B]. Insert them into the griplocks [I]. Adjust the cables by pushing the feeder tube [I].

Cut the excess cables with an aircraft cable cutter [J].

Notes: Height adjustment of the fixture must be done at this step. Leave POC (power-over-aircraft cable) length of 1.5" to make the connection inside the canopy. Number of aircraft cables may vary.



ELIA MULTIPLE

Pendant - Remote Driver Box (RDB) - Single Canopy

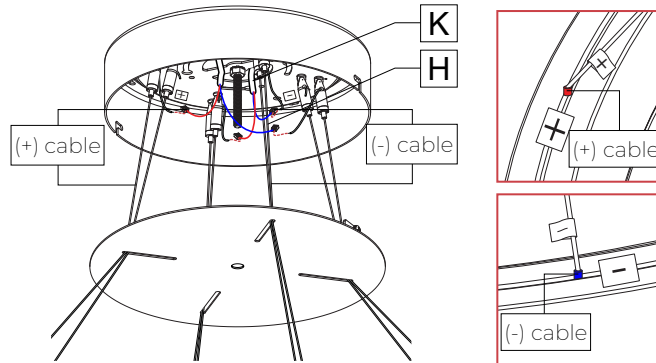
LUMENWERX

4 MAKE ELECTRICAL CONNECTIONS.

Make electrical connections between POC (power-over-aircraft cable) [H] and the remote driver feed [K].

Notes: Make sure that you are connecting the negative (-) POC (as mark on the fixture with blue color and a label) to your negative wire and the positive (+) POC (as mark on the fixture with red color and a label) to your positive wire.

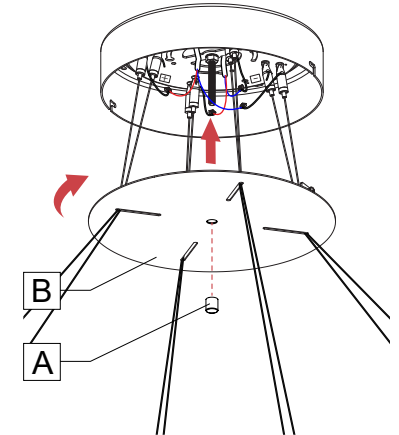
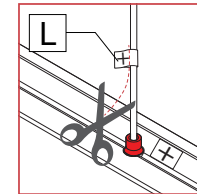
Warning: A luminaire with more than one power supply connection means shall be connected to only one branch circuit.



5 REINSTALL CANOPY PLATE.

Put the canopy plate [B] back in place and fix using the decorative nut [A].

Cut the labels [L] off the wires.



ELIA MULTIPLE

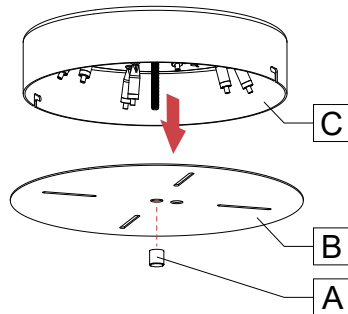
Pendant - Remote Driver Box (RDB) - Single Canopy

LUMENWERX

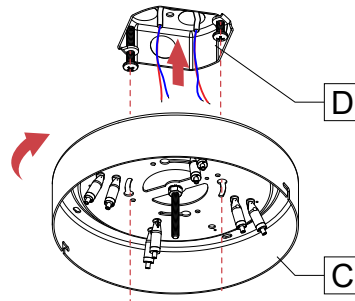
AC (Power cord + aircraft cable)

1 PREPARE MOUNTING POINTS.

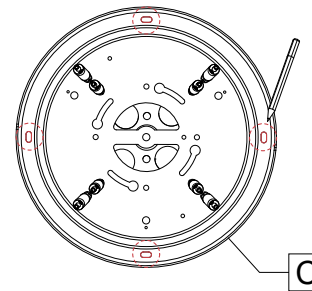
Loosen the decorative nut [A] on the canopy plate [B]. Separate the canopy plate [B] from the canopy [C].



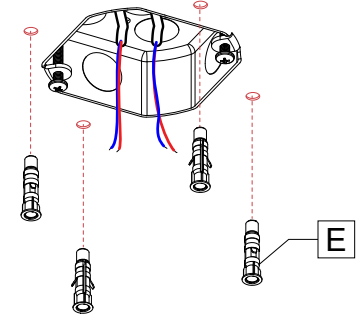
Fix the canopy [C] on the junction box [D].



Use the canopy [C] as a model to mark 4 holes.

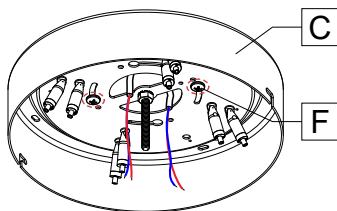


Remove the canopy. Drill holes (1/4" diameter) following the red marks. Install #8 screw anchors [E].

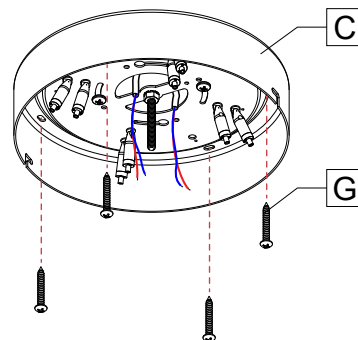


2 FIX CANOPY TO CEILING.

Tighten the two screws [F] to secure the canopy [C] to the junction box.



Use #8 screws [G] to fasten the canopy [C] to the ceiling.

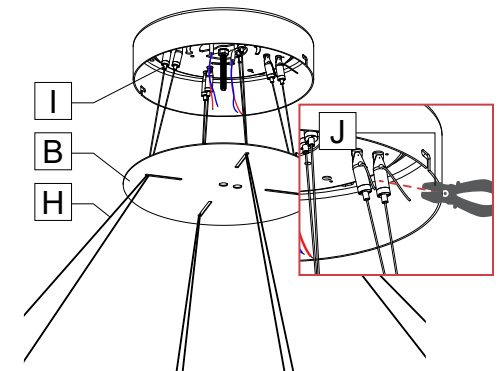


3 INSTALL AIRCRAFT CABLES.

Pass all aircraft cables [H] through the canopy plate [B]. Insert them into the griplocks [I]. Adjust the cables by pushing the feeder tube [I].

Cut the excess cables with an aircraft cable cutter [J].

Notes: Height adjustment of the fixture must be done at this step. Number of aircraft cables may vary.



ELIA MULTIPLE

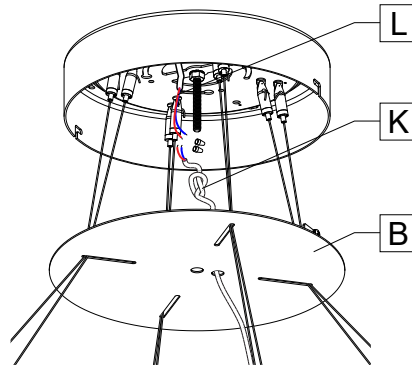
Pendant - Remote Driver Box (RDB) - Single Canopy

LUMENWERX

4 MAKE ELECTRICAL CONNECTIONS.

Pass the power cord [K] into the canopy plate [B] and make a knot. Make electrical connections between the power cord [K] and the remote driver feed [L].

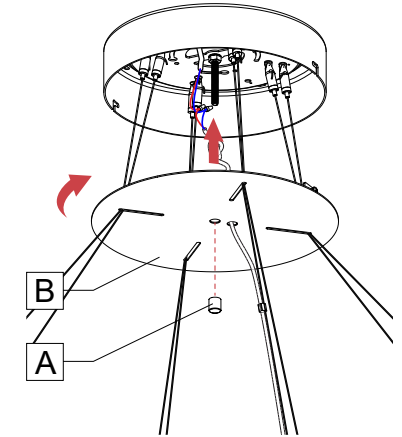
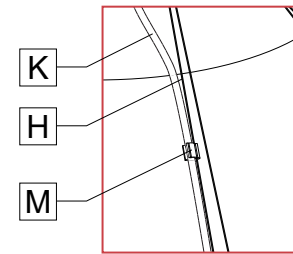
Warning: A luminaire with more than one power supply connection means shall be connected to only one branch circuit.



5 REINSTALL CANOPY PLATE.

Secure the power cord [K] to the aircraft cable [H] with plastic clip [M].

Put the canopy plate [B] back in place and fix using the decorative nut [A].



ELIA MULTIPLE

Pendant - Remote Driver Box (RDB) - Single Canopy

WIRING DIAGRAMS (1 Circuit)

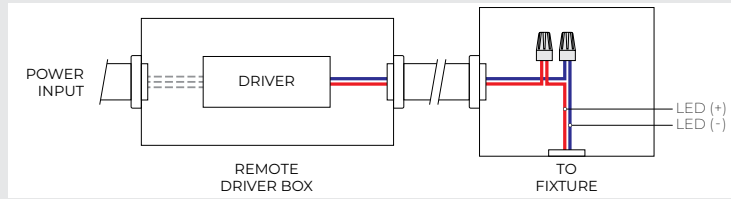
For electrical connections, follow the wiring diagrams according to specified drivers in product configuration.

REMOTE DRIVER - STATIC WHITE

RED	LED (+)
BLUE	LED (-)

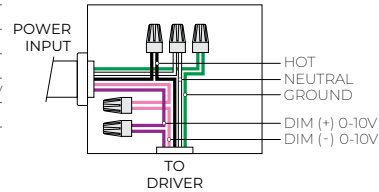
Note:
For remote driver wiring in the remote driver box (RDB), refer to the applicable driver wiring.

For max wire distance from driver, please check our website: WWW.LUMENWERX.COM



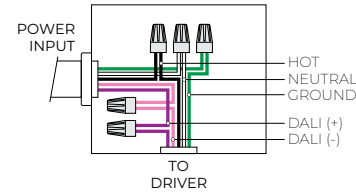
D1 / ELD1 / ELDO

BLACK	HOT
WHITE	NEUTRAL
GREEN	GROUND
PURPLE	DIM (+) 0-10V
PINK or GRAY	DIM (-) 0-10V



DA

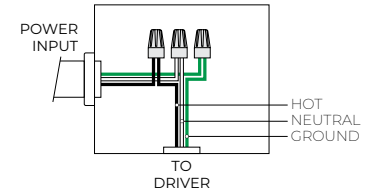
BLACK	HOT
WHITE	NEUTRAL
GREEN	GROUND
PURPLE	DALI (+)
PINK or GRAY	DALI (-)



LTEA2W

BLACK	HOT
WHITE	NEUTRAL
GREEN	GROUND

Note:
120V max input voltage



LDE1

BLACK	HOT
WHITE	NEUTRAL
GREEN	GROUND
PURPLE	E1 TO ECOSYSTEM DIGITAL LINK
PINK or GRAY	E2 TO ECOSYSTEM DIGITAL LINK

