

ELIA MULTIPLE ROUND

LUMENWERX

PENDANT
STATIC WHITE

Project: _____

Type: _____



DESCRIPTION

Elia Multiple Round pendants are the result of bringing two or three Elia Round fixtures (with diameters from 2' to 5' only) together, arranged on different planes and sharing one canopy. Elia is equipped with LED arrays illuminating inward and outward from its circular housing. Elia fixtures serve as decorative, modern focal points of interior spaces. It is also available with Chromawerx Sola, Duo, and Quadro.



Order Guide

LUMINAIRE ID	SIZE	OPTIC	LIGHT SOURCE ¹	CRI	
ELIMRP		ULO	SW	90	
ELIMRP - Elia Multiple Round Pendant	2 RINGS 2+3 - Elia 24" + Elia 36" 2+4 - Elia 24" + Elia 48" 2+5 - Elia 24" + Elia 60" 3+4 - Elia 36" + Elia 48" 3+5 - Elia 36" + Elia 60" 4+5 - Elia 48" + Elia 60"	3 RINGS 2+3+4 - Elia 24" + Elia 36" + Elia 48" 2+3+5 - Elia 24" + Elia 36" + Elia 60" 2+4+5 - Elia 24" + Elia 48" + Elia 60" 3+4+5 - Elia 36" + Elia 48" + Elia 60"	ULO - Uniform Lambertian Optic	SW - Static white ¹ Chromawerx Sola, Duo and Quadro also available. Consult factory for details.	90 - 90 CRI

LUMEN PACKAGE (lm)				COLOR TEMP.	VOLTAGE	REMOTE DRIVER ³	ELECTRICAL ⁵		
							1C		
2 RINGS			3 RINGS			D1 - 1% 0-10V DA ⁴ - DALI LTEA2W - Lutron 1% - 2 wire FP 120V LDE1 ⁴ - Lutron Hi-Lume 1% Eco ELD1 - eldoLED 1% ECOdrive 0-10V ELDO - eldoLEDO.1% SOLOdrive 0-10V	1C - 1 circuit ⁵ For other circuit configurations, consult factory.		
	Low	Med.	High	2+3+4	Low			Med.	High
2+3	7500	10000	12500		13500			18000	22500
2+4	9000	12000	15000		15000			20000	25000
2+5	10500	14000	17500		16500			22000	27500
3+4	10500	14000	17500	3+4+5	18000			24000	30000
3+5	12000	16000	20000						
4+5	13500	18000	22500						
				27 - 2700K 30 - 3000K 35 - 3500K 40 - 4000K	120 - 120V 277 - 277V UNV - 120V-277V 347 ² - 347V	² Available with D1 driver only.	³ PoE (Power-over-Ethernet) compatible. Consult factory for details. ⁴ On-site commissioning is required.		

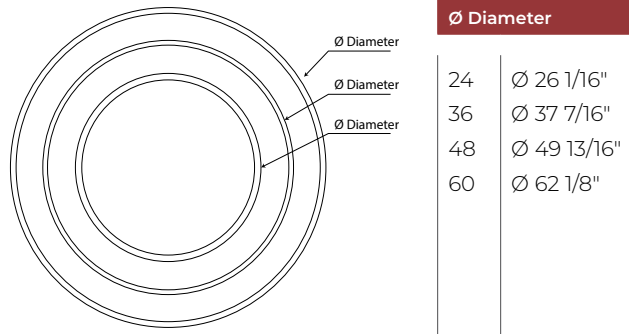
MOUNTING				FINISH											
RDB				SC											
DRIVER BOX ⁶	CANOPY FINISH	POWER	MOUNTING POINTS	MOUNTING CABLE LENGTH ⁸											
RDB ⁷ - Remote driver box	W - White AL - Aluminum B - Black CF - Custom finish, specify RAL#	POC - Integrated suspension power-over-aircraft cable BAC - Black power cord + aircraft cable WAC - White power cord + aircraft cable	SC - Single canopy	18IN - 18" 24IN - 24" 36IN - 36" 48IN - 48" 60IN - 60"	72IN - 72" 96IN - 96" 120IN - 120" ##IN - Specify nominal length in inches										
				⁸ Minimum mounting heights are based on the size of the ring on top (closest to ceiling) of the stack.											
				<table border="1"> <thead> <tr> <th>Fixture size</th> <th>Minimum height</th> </tr> </thead> <tbody> <tr> <td>Ø 24"</td> <td>min height 14"</td> </tr> <tr> <td>Ø 36"</td> <td>min height 21"</td> </tr> <tr> <td>Ø 48"</td> <td>min height 28"</td> </tr> <tr> <td>Ø 60"</td> <td>min height 35"</td> </tr> </tbody> </table>		Fixture size	Minimum height	Ø 24"	min height 14"	Ø 36"	min height 21"	Ø 48"	min height 28"	Ø 60"	min height 35"
Fixture size	Minimum height														
Ø 24"	min height 14"														
Ø 36"	min height 21"														
Ø 48"	min height 28"														
Ø 60"	min height 35"														
See website for the Pendant Mounting Guide															

ELIA MULTIPLE ROUND

LUMENWERX

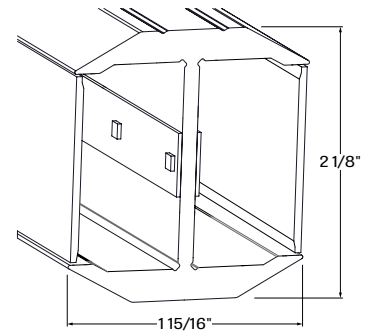
PENDANT
STATIC WHITE

Dimensions



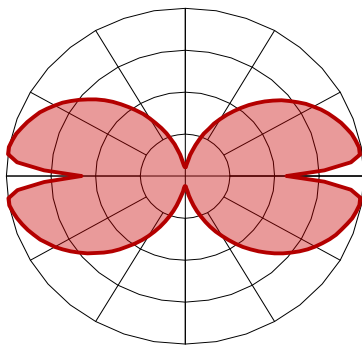
ELIMRP - Elia Multiple Round Pendant

SECTION VIEW



ELIMRP - Elia Multiple Round Pendant

Photometrics



Delivered lumens at 40K at 90 CRI

24" diameter

LED output	WATTS	NOMINAL DELIVERED LUMENS	LPW
Low	34.6	3000	87
Medium	47.7	4000	84
High	61.7	5000	81

36" diameter

LED output	WATTS	NOMINAL DELIVERED LUMENS	LPW
Low	51.7	4500	87
Medium	71.7	6000	84
High	92.3	7500	81

48" diameter

LED output	WATTS	NOMINAL DELIVERED LUMENS	LPW
Low	69.2	6000	87
Medium	95.4	8000	84
High	123.5	10000	81

60" diameter

LED output	WATTS	NOMINAL DELIVERED LUMENS	LPW
Low	86.5	7500	87
Medium	119.3	10000	84
High	154.2	12500	81

Multiplier @ CRI90

CCT (K)	Watts	LPW
2700	1.08	0.92
3000	1.05	0.96
3500	1.02	0.98
4000	1.00	1.00

ELIA MULTIPLE ROUND

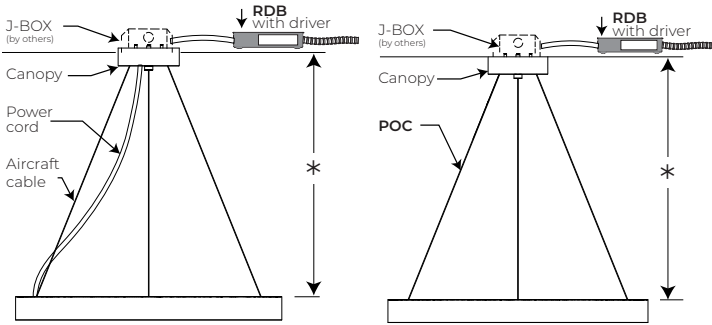
LUMENWERX

PENDANT
STATIC WHITE

Mounting Options

RDB - REMOTE DRIVER BOX

SC - SINGLE CANOPY



AC - Aircraft cable

POC - Power-over-aircraft cable

*Minimum height

For single canopy option, the minimum required mounting heights:

Fixture size	* Minimum height
Ø 24"	min height 14"
Ø 36"	min height 21"
Ø 48"	min height 28"
Ø 60"	min height 35"

ELIA MULTIPLE ROUND

LUMENWERX

PENDANT
STATIC WHITE

Technical Specifications

OPTIC

Uniform Lambertian Optic (ULO) - Thermoformed from impact-modified white PMMA, the ULO provides even luminosity, with up to 88% transmission.

Combined with the LED array running around the inside of the housing, the open form and optic create a widespread 50% inward and 50% outward light distribution with spacing criteria of 1.6.

LIGHT SOURCE

Custom array of mid-flux LEDs are mounted directly to the housing for optimal thermal performance. Available in 2700K, 3000K, 3500K and 4000K with 90 CRI and elevated R9 value. Color consistency is maintained to 3 SDCM. LEDs are operated at a reduced drive current to optimize efficacy and lumen maintenance.

All LEDs have been tested in accordance with IESNA LM-80-08 and results have shown L80 lumen maintenance are greater than 60,000 hours. Absolute product photometry is measured and presented in accordance with IESNA LM-79, unless otherwise indicated.

ELECTRICAL

Factory-set, adjustable output current LED driver with universal (120-277VAC) input. Dimmable from 100% to 1% with 0-10V dimming control. Rated life (90% survivorship) of 50,000 hours at 50°C max. ambient (and 70°C max. case) temperature. At maximum driver load: Efficiency > 84%, PF > 0.9, THD < 20%. Other specifiable options include Lutron Hi-Lume 1% (specify 2-wire, or Ecosystem Dim-to-Off), eldoLED 1% ECOdrive 0-10V, eldoLED 0.1% SOLOdrive 0-10V, and DALI protocol drivers. All of our standard 0-10V drivers are NEMA 410 compliant.

PoE

Depending on the PoE manufacturer selected, Lumenwerx will install the node in factory as either integral to the luminaire or as a remote module. Factory programming of the PoE node may or may not enable the following functionalities: lumen package, Duo (tunable white), Quadro (RGBW) emergency battery backup, and sensor integration. These must be addressed and evaluated on a case-by-case basis.

FINISH

Interior - 95% reflective, matte white powder coating

Exterior - Matte white, matte black or aluminum powder coating. Custom finishes are also available.

CONSTRUCTION

Housing - Rolled and seamlessly welded aluminum extrusion, wide variety of colored powder coating

Diffuser - Uniform Lambertian optic, co-extruded flexible polycarbonate satine finished lens

WEIGHT

Elia round 24 - 10lbs - 4.4kg

Elia round 36 - 15lbs - 6.8kg

Elia round 48 - 20lbs - 9kg

Elia round 60 - 25lbs - 11.2kg

CERTIFICATIONS

ETL - Rated for Indoor Dry/Damp locations. Conforms to UL Standard 1598 and certified to CAN/CSA Standard C22.2 No. 250.0.

WARRANTY

Lumenwerx provides a five-year limited warranty of electrical and mechanical performance of the luminaires, including the LED boards, drivers, and auxiliary electronics. Lumenwerx will repair or replace defective luminaires or components at our discretion, provided they have been installed and operated in accordance with our specifications. Other limitations apply, please refer to the full warranty on our website.