




OVERVIEW


 This product must be installed in accordance with the National Electrical Code and all applicable local codes, by a person familiar with the construction and operation of the product, and the hazards involved. Proper grounding is required for safety.

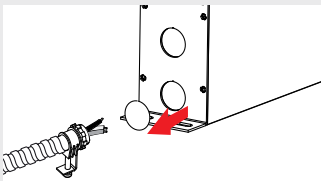
Ce produit doit être installé suivant le code national de l'électricité, ainsi que tous les codes locaux applicables, par une personne familière avec la construction et le fonctionnement du produit, ainsi que tous les risques qui y sont associés. La mise à terre électrique est obligatoire pour la sécurité.

 Wire dimming conductors as Class 1.

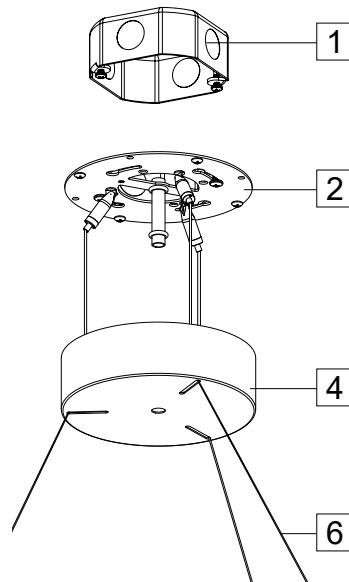
 For electrical connections, follow the wiring diagrams on page 7 according to specified drivers in product configuration.

 Shown with round canopy. Applicable to square canopy.

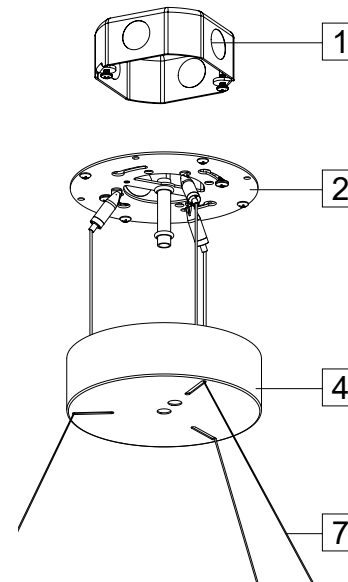
 For remote driver box, please refer to the [remote driver installation sheet](#) for more information.



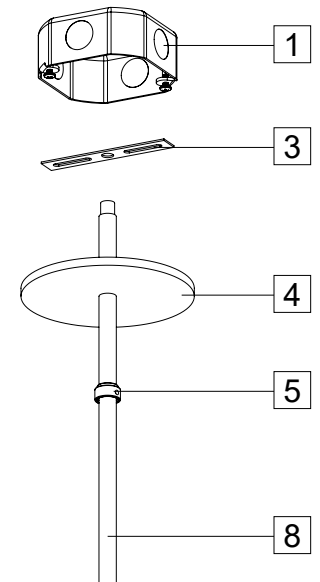
POC Power-over-aircraft cable



AC Power cable + aircraft cable



Stem



Index

Go to pages related to product configuration.

| | |
|----------------------|-----|
| POC..... | P.2 |
| AC..... | P.4 |
| Stem..... | P.6 |
| Wiring diagrams..... | P.7 |

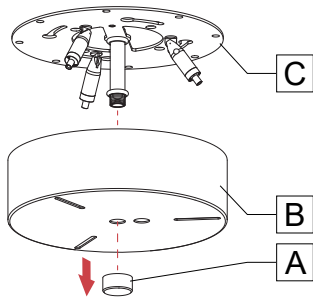
Items list

| | |
|---|----------------------------|
| 1 | Standard J-box (by others) |
| 2 | Mounting plate |
| 3 | Crossbar |
| 4 | Canopy |
| 5 | Slip ring |
| 6 | Power-over-aircraft cable |
| 7 | Aircraft cable |
| 8 | Stem |

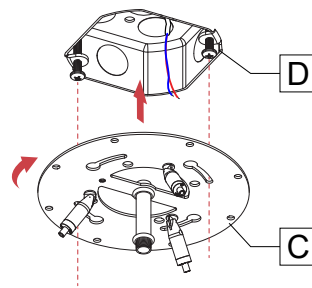
POC (Power-over-aircraft cable)

1 PREPARE MOUNTING POINTS.

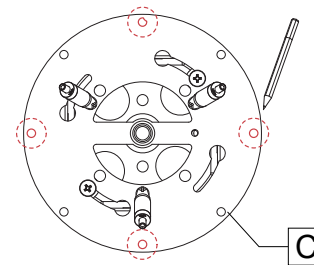
Loosen the decorative nut [A] on the canopy [B]. Separate the canopy [B] from the mounting plate [C].



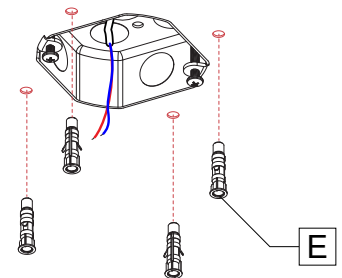
Fix the mounting plate [C] on the junction box [D].



Use the mounting plate [C] as a model to mark 4 holes.

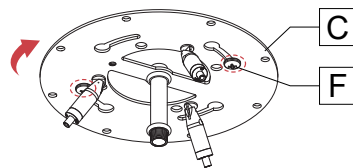


Remove the mounting plate. Drill holes (1/4" diameter) following the red marks. Install #8 screw anchors [E].

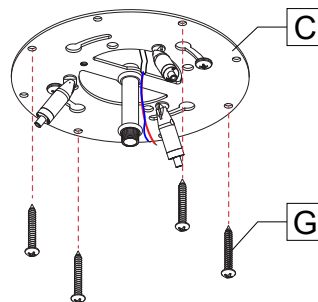


2 FIX MOUNTING PLATE TO CEILING.

Tighten the two screws [F] to secure the mounting plate [C] to the junction box.



Use #8 screws [G] to fasten the mounting plate [C] to the ceiling.

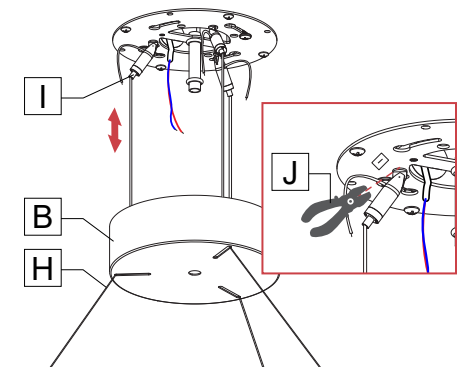


3 INSTALL AIRCRAFT CABLES.

Pass all aircraft cables [H] through the canopy [B]. Insert them into the griplocks [I]. Adjust the cables by pushing the feeder tube [I].

Cut the excess cables with an aircraft cable cutter [J].

Notes: Height adjustment of the fixture must be done at this step. Leave POC (power-over-aircraft cable) length of 1.5" to make the connection inside the junction box.

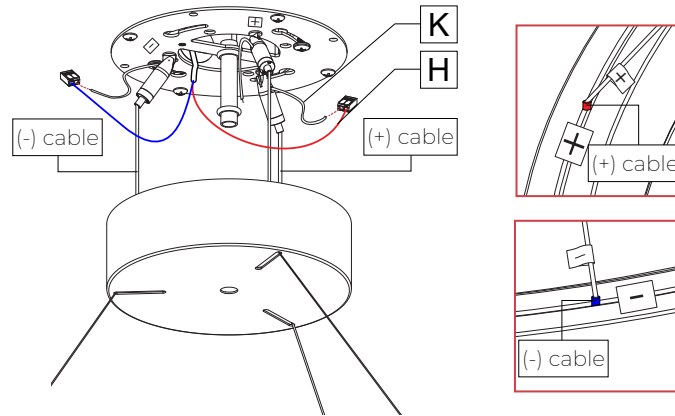


4 MAKE ELECTRICAL CONNECTIONS.

Make electrical connections between POC (Power Over Cable) [H] and the remote driver feed [K].

Notes: Make sure that you are connecting the negative (-) POC (as mark on the fixture with blue color and a label) to your negative wire and the positive (+) POC (as mark on the fixture with red color and a label) to your positive wire.

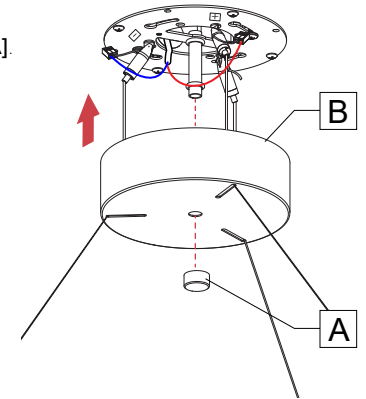
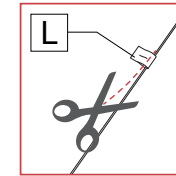
Warning: A luminaire with more than one power supply connection means shall be connected to only one branch circuit.



5 REINSTALL CANOPY.

Put the canopy [B] back in place and fix using the decorative nut [A].

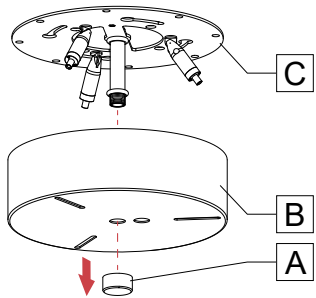
Cut the labels [L] off the wires.



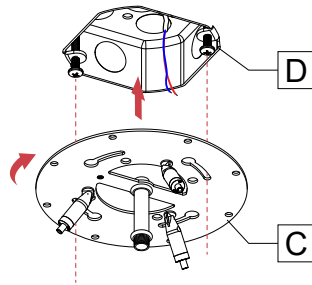
AC (Power cord + aircraft cable)

1 PREPARE MOUNTING POINTS.

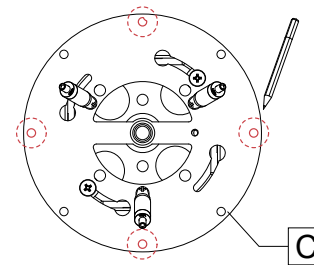
Loosen the decorative nut [A] on the canopy [B]. Separate the canopy [B] from the mounting plate [C].



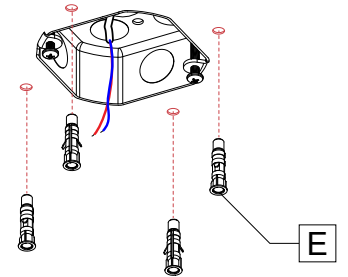
Fix the mounting plate [C] on the junction box [D].



Use the mounting plate [C] as a model to mark 4 holes.

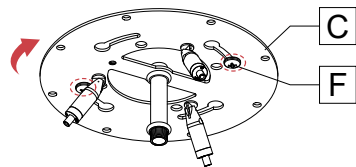


Remove the mounting plate. Drill holes (1/4" diameter) following the red marks. Install #8 screw anchors [E].

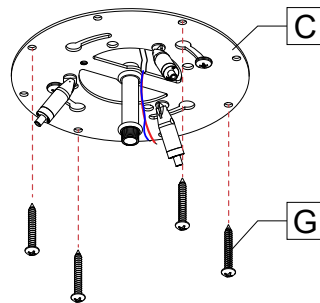


2 FIX MOUNTING PLATE TO CEILING.

Tighten the two screws [F] to secure the mounting plate [C] to the junction box.



Use #8 screws [G] to fasten the mounting plate [C] to the ceiling.

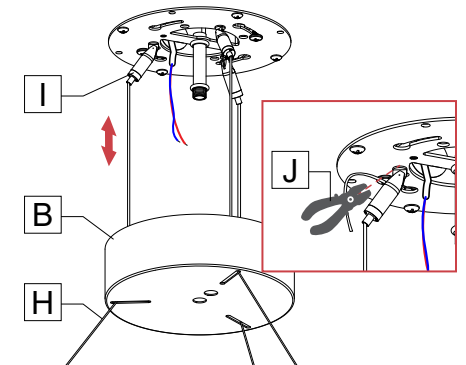


3 INSTALL AIRCRAFT CABLES.

Pass all aircraft cables [H] through the canopy [B]. Insert them into the griplocks [I]. Adjust the cables by pushing the feeder tube [I].

Cut the excess cables with an aircraft cable cutter [J].

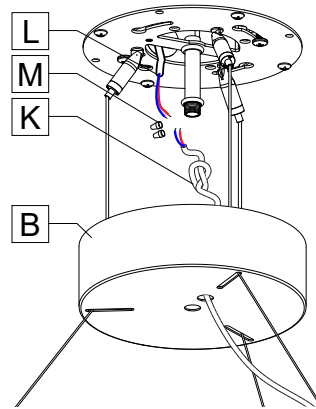
Notes: Height adjustment of the fixture must be done at this step.



4 MAKE ELECTRICAL CONNECTIONS.

Pass the power cord [K] into the canopy [B] and make a knot. Make electrical connections between the power cord [K] and the remote driver feed [L] with wire nuts [M] (by others).

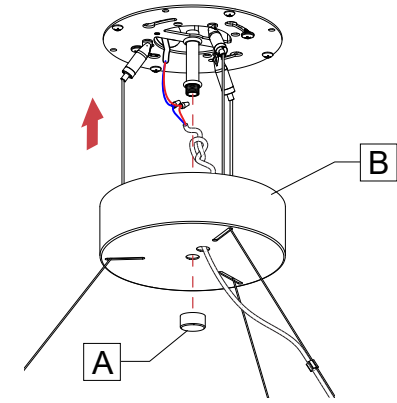
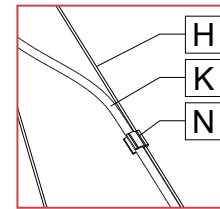
Warning: A luminaire with more than one power supply connection means shall be connected to only one branch circuit.



5 REINSTALL CANOPY.

Secure the power cord [K] to the aircraft cable [H] with plastic clip [N].

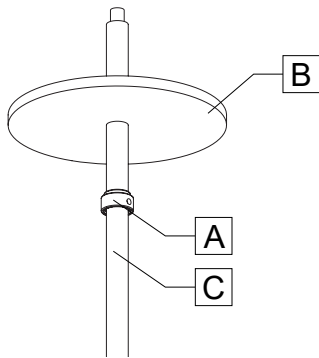
Put the canopy [B] back in place and fix using the decorative nut [A].



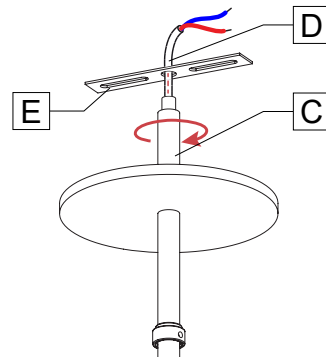
Stem

1 INSTALL STEM.

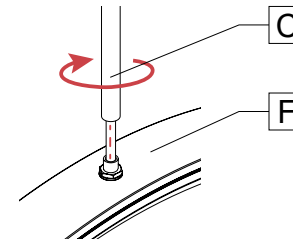
Slide the slip ring [A] and the canopy [B] over the stem [C] and leave some space.



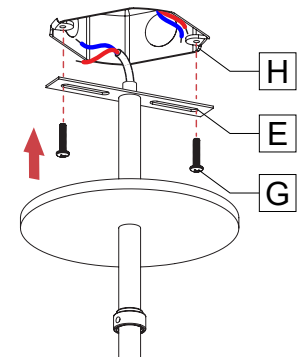
Pass the power cord [D] through the stem [C] and the crossbar [E]. Screw the crossbar [E] onto the stem [C].



Screw the stem [C] on the fixture [F].



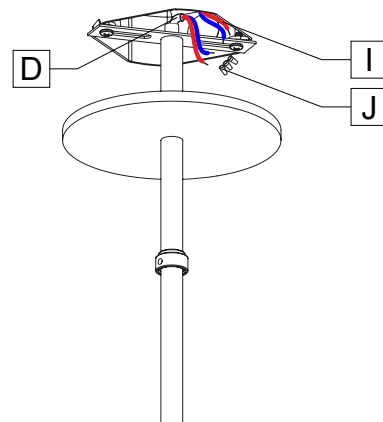
Raise the fixture and tighten the crossbar [E] with screws [G] (by others) to the junction box [H].



2 MAKE ELECTRICAL CONNECTIONS.

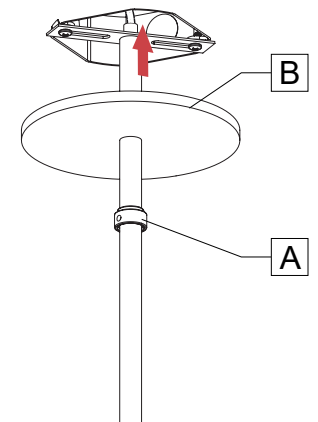
Make electrical connections between the power cord [D] and the remote driver feed [I] with wire nuts [J] (by others).

Warning: A luminaire with more than one power supply connection means shall be connected to only one branch circuit.



3 INSTALL CANOPY.

Slide the canopy [B] up and tighten with the slip ring [A].



Pendant - Remote Driver Box (RDB) - Single Canopy

WIRING DIAGRAMS (1 Circuit)

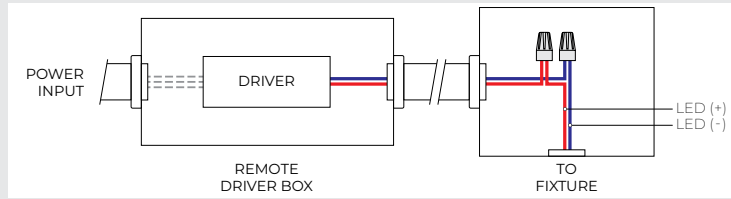
For electrical connections, follow the wiring diagrams according to specified drivers in product configuration.

REMOTE DRIVER - STATIC WHITE

| | |
|------|---------|
| RED | LED (+) |
| BLUE | LED (-) |

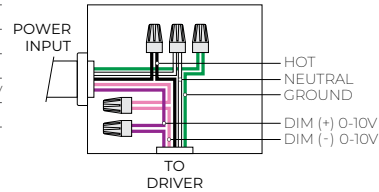
Note:
For remote driver wiring in the remote driver box (RDB), refer to the applicable driver wiring.

For max wire distance from driver, please check our website: WWW.LUMENWERX.COM



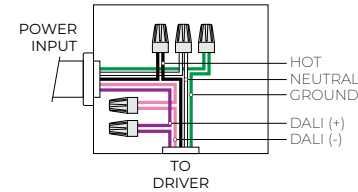
D1 / ELD1 / ELDO

| | |
|--------------|---------------|
| BLACK | HOT |
| WHITE | NEUTRAL |
| GREEN | GROUND |
| PURPLE | DIM (+) 0-10V |
| PINK or GRAY | DIM (-) 0-10V |



DA

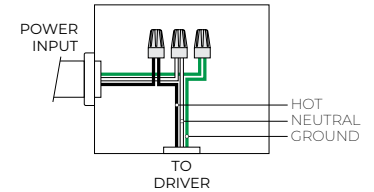
| | |
|--------------|----------|
| BLACK | HOT |
| WHITE | NEUTRAL |
| GREEN | GROUND |
| PURPLE | DALI (+) |
| PINK or GRAY | DALI (-) |



LTEA2W

| | |
|-------|---------|
| BLACK | HOT |
| WHITE | NEUTRAL |
| GREEN | GROUND |

Note:
120V max input voltage



LDE1

| | |
|--------------|------------------------------|
| BLACK | HOT |
| WHITE | NEUTRAL |
| GREEN | GROUND |
| PURPLE | E1 TO ECOSYSTEM DIGITAL LINK |
| PINK or GRAY | E2 DIGITAL LINK |

