



### OVERVIEW

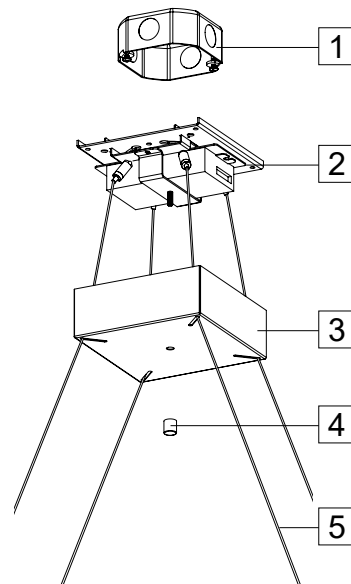
 This product must be installed in accordance with the National Electrical Code and all applicable local codes, by a person familiar with the construction and operation of the product, and the hazards involved. Proper grounding is required for safety.

Ce produit doit être installé suivant le code national de l'électricité, ainsi que tous les codes locaux applicables, par une personne familière avec la construction et le fonctionnement du produit, ainsi que tous les risques qui y sont associés. La mise à terre électrique est obligatoire pour la sécurité.

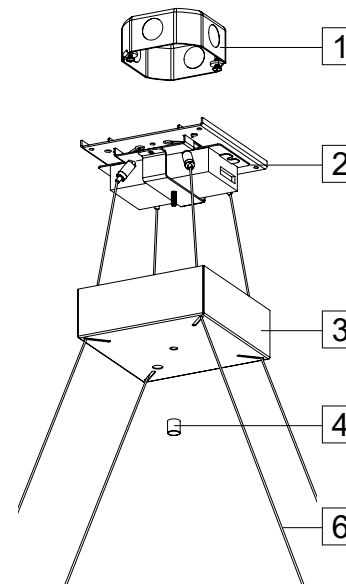
 Wire dimming conductors as Class 1.

 For electrical connections, follow the wiring diagrams on page 8 according to specified drivers in product configuration.

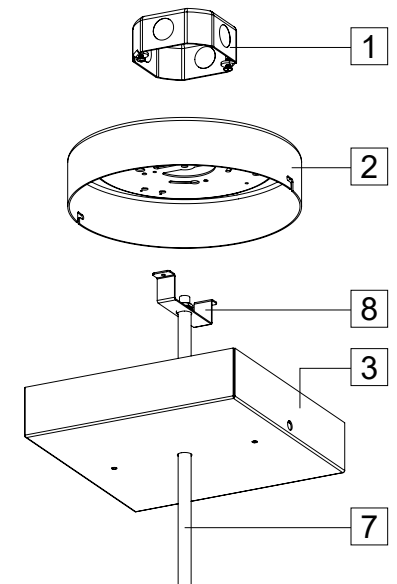
**POC**  
Power-over-aircraft cable



**AC**  
Power cable + aircraft cable



**Stem**



#### Index

Go to pages related to product configuration.

POC.....	P.2
AC.....	P.4
Stem.....	P.6
Wiring Diagrams.....	P.8

#### Items list

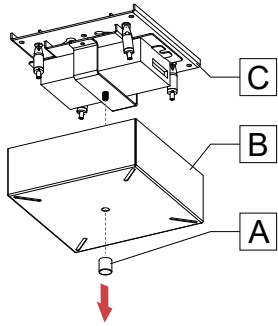
1	Standard J-box (by others)
2	Mounting plate
3	Canopy driver box
4	Decorative nut
5	Power-over-aircraft cable
6	Aircraft cable
7	Stem
8	Stem bracket

## Pendant - Square Canopy Driver Box (SCD) - Single Canopy

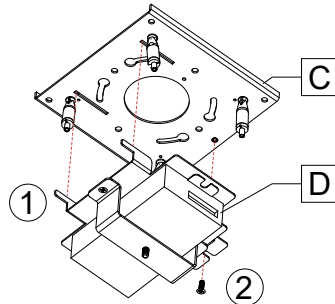
POC (Power-over-aircraft cable)

### 1 PREPARE MOUNTING POINTS.

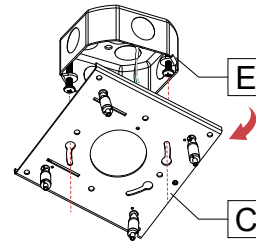
Loosen the decorative nut [A] on the canopy [B]. Separate the canopy [B] from the mounting plate [C].



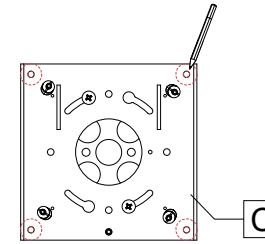
Unscrew to remove the canopy driver [D] from the mounting plate [C] in the order of the numbers.



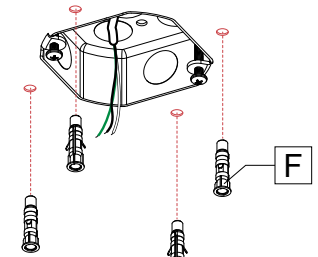
Fix the mounting plate [C] on the junction box [E].



Use the mounting plate [C] as a model to mark 4 holes.

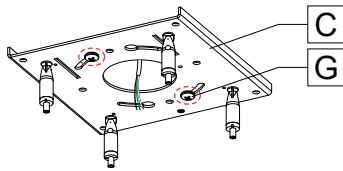


Remove the mounting plate. Drill holes (1/4" diameter) following the red marks. Install #8 screw anchors [F].

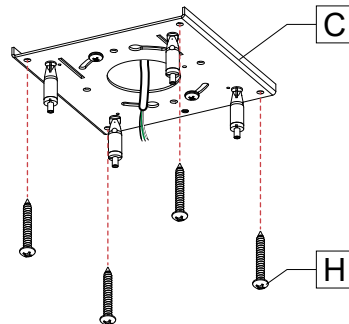


### 2 FIX MOUNTING PLATE TO CEILING.

Tighten the two screws [G] to secure the mounting plate [C] to the junction box.



Use #8 screws [H] to fasten the mounting plate [C] to the ceiling.

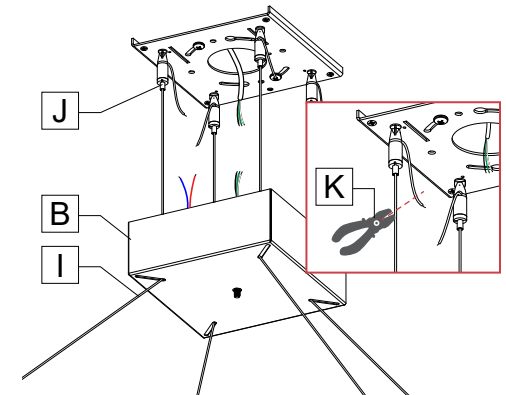


### 3 INSTALL AIRCRAFT CABLES.

Pass all aircraft cables [I] through the canopy [B]. Insert them into the griplocks [J]. Adjust the cables by pushing the feeder tube [J].

Cut the excess cables with an aircraft cable cutter [K].

**Notes:** Height adjustment of the fixture must be done at this step. Leave POC (power-over-aircraft cable) length of 1.5" to make the connection inside the canopy.



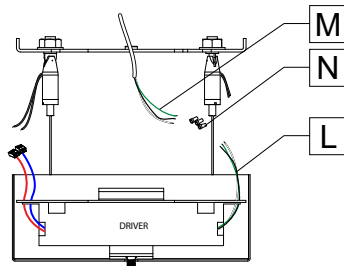
## Pendant - Square Canopy Driver Box (SCD) - Single Canopy

### 4 MAKE ELECTRICAL CONNECTIONS.

Make electrical connections between the driver [L] and the main power [M] with wire nuts [N] (by others).

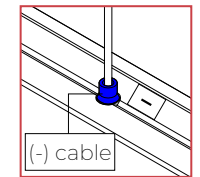
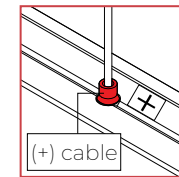
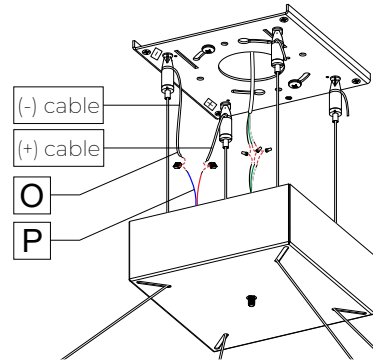
**Notes:** Connect the green wire to your ground wire. Make sure to have a steady hold of the fixture. So, it is never hanging loosely from POC (power-over-aircraft cable) if installation is not complete.

**Warning:** A luminaire with more than one power supply connection means shall be connected to only one branch circuit.



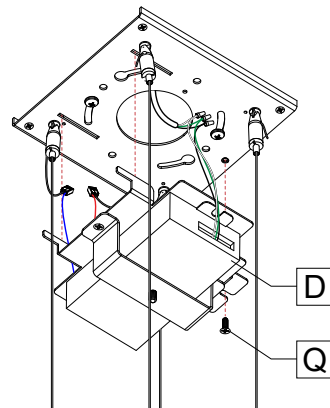
Make electrical connections between POC (power-over-aircraft cable) [O] and the driver [P].

**Notes:** Make sure that you are connecting the negative (-) POC (as mark on the fixture with blue color and a label) to your negative wire and the positive (+) POC (as mark on the fixture with red color and a label) to your positive wire.



### 5 REINSTALL DRIVER.

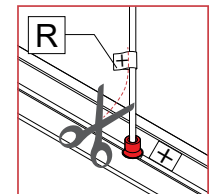
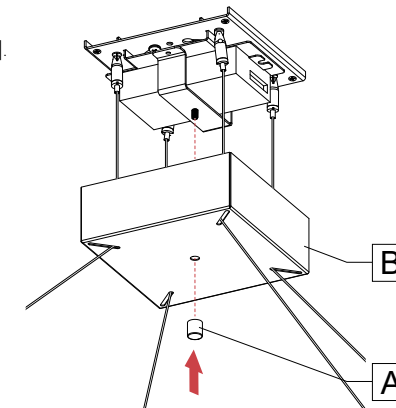
Secure the canopy driver [D] with screw [Q].



### 6 REINSTALL CANOPY.

Put the canopy [B] back in place and fix using the decorative nut [A].

Cut the labels [R] off the wires.

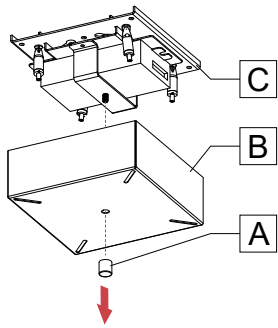


## Pendant - Square Canopy Driver Box (SCD) - Single Canopy

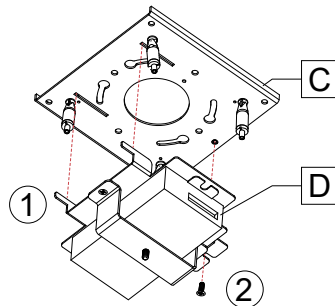
AC (Power cord + aircraft cable)

### 1 PREPARE MOUNTING POINTS.

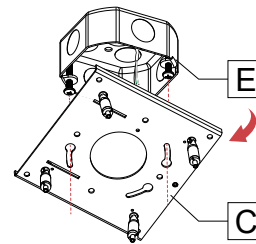
Loosen the decorative nut [A] on the canopy [B]. Separate the canopy [B] from the mounting plate [C].



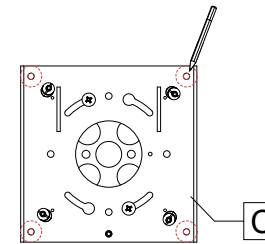
Unscrew to remove the canopy driver [D] from the mounting plate [C] in the order of the numbers.



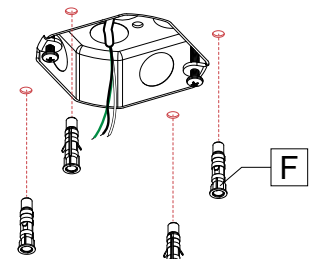
Fix the mounting plate [C] on the junction box [E].



Use the mounting plate [C] as a model to mark 4 holes.

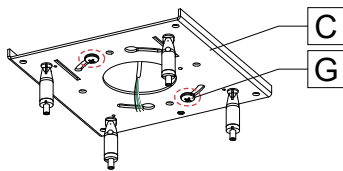


Remove the mounting plate. Drill holes (1/4" diameter) following the red marks. Install #8 screw anchors [F].

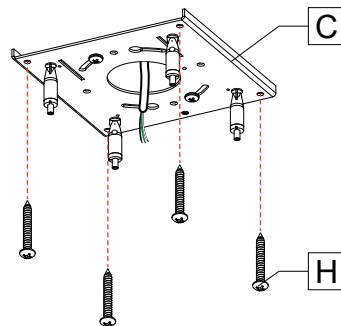


### 2 FIX MOUNTING PLATE TO CEILING.

Tighten the two screws [G] to secure the mounting plate [C] to the junction box.



Use #8 screws [H] to fasten the mounting plate [C] to the ceiling.

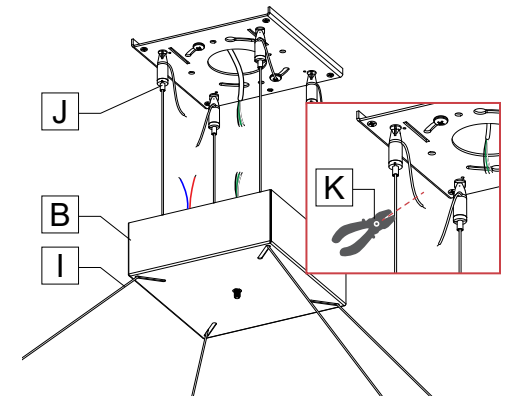


### 3 INSTALL AIRCRAFT CABLES.

Pass all aircraft cables [I] through the canopy [B]. Insert them into the griplocks [J]. Adjust the cables by pushing the feeder tube [J].

Cut the excess cables with an aircraft cable cutter [K].

**Notes:** Height adjustment of the fixture must be done at this step.



# ELIA

## Pendant - Square Canopy Driver Box (SCD) - Single Canopy

# LUMENWERX

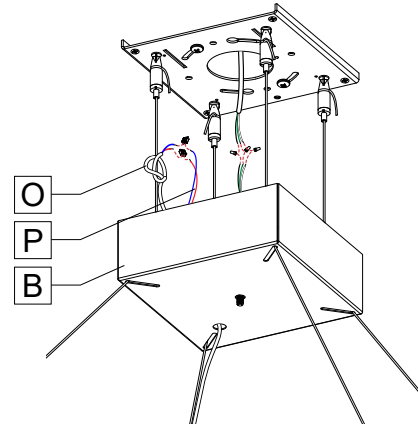
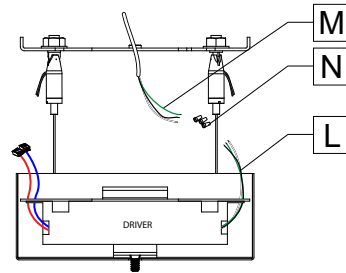
### 4 MAKE ELECTRICAL CONNECTIONS.

Make electrical connections between the driver [L] and the main power [M] with wire nuts [N] (by others).

**Notes:** Connect the green wire to your ground wire.

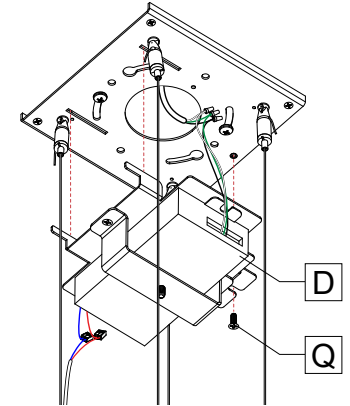
Pass the power cord [O] into the canopy [B] and make a knot. Make electrical connections between the power cord [O] and the driver [P].

**Warning:** A luminaire with more than one power supply connection means shall be connected to only one branch circuit.



### 5 REINSTALL DRIVER.

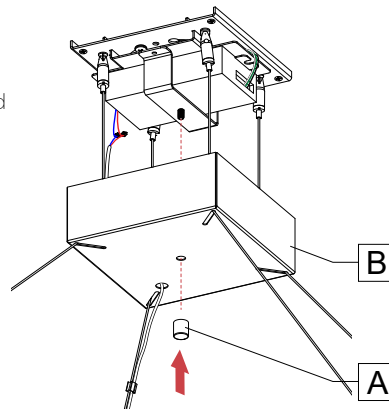
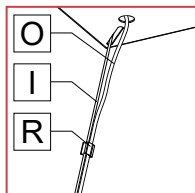
Secure the canopy driver [D] with screw [Q].



### 6 REINSTALL CANOPY.

Secure the power cord [O] to the aircraft cable [I] with plastic clip [R].

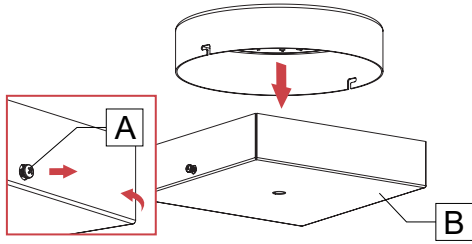
Put the canopy [B] back in place and fix using the decorative nut [A].



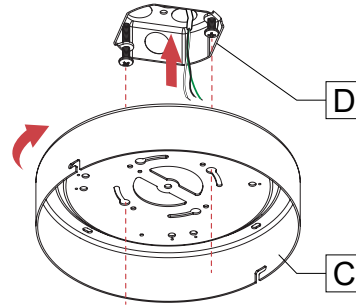
### STEM

#### 1 PREPARE MOUNTING POINTS.

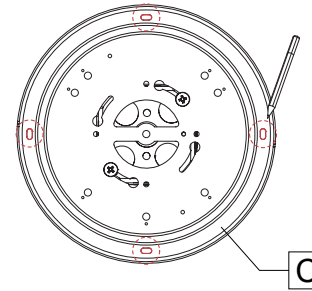
Slightly loosen the screws [A] on the side of the canopy [B]. Remove the canopy [B].



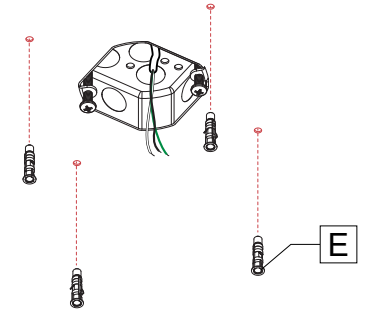
Fix the mounting plate [C] to the junction box [D].



Use the mounting plate [C] as a model to mark 4 holes.

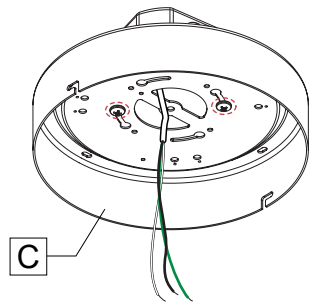


Remove the mounting plate. Drill holes (1/4" diameter) following the red marks. Install #8 screw anchors [E].

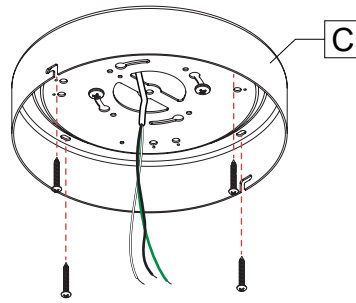


#### 2 FIX MOUNTING PLATE TO CEILING.

Tighten the two screws to secure the mounting plate [C] to the junction box.

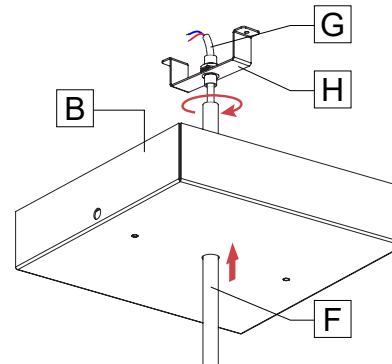


Use #8 screws to fasten the mounting plate [C] to the ceiling.



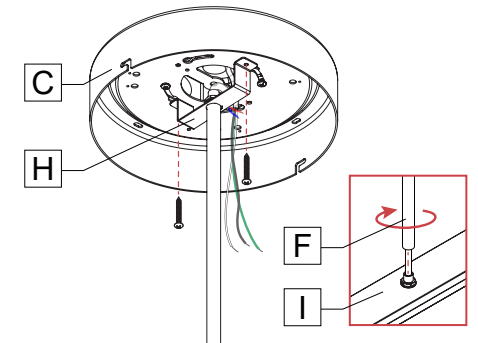
#### 3 INSTALL STEM.

Slide the canopy [B] over the stem [F]. Pass the power cord [G] through the stem [F] and the stem bracket [H]. Mount the stem [F] on the stem bracket [H].



Install the stem bracket [H] on the mounting plate [C] with screws.

Screw the stem [F] on the fixture [I].



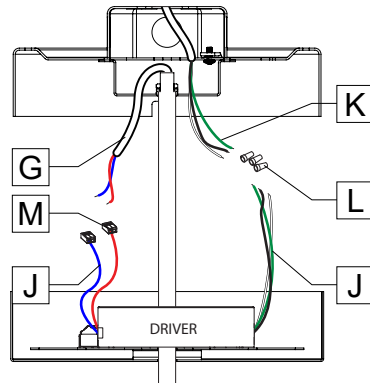
### 4 MAKE ELECTRICAL CONNECTIONS.

Make electrical connections between the driver [J] and the main power [K] with wire nuts [L] (by others).

Make electrical connections between the power cord [G] and the driver [J] using quick connectors [M].

**Notes:** Connect the green wire to your ground wire.

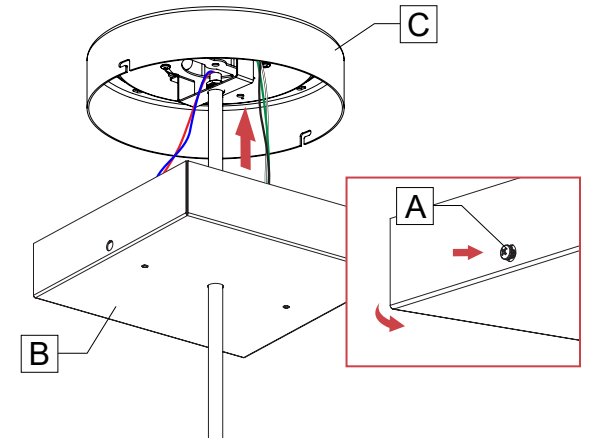
**Warning:** A luminaire with more than one power supply connection means shall be connected to only one branch circuit.



### 5 REINSTALL CANOPY PLATE.

Put the canopy [B] back in place turn to fix it.

Secure the canopy [B] onto the mounting plate [C] by tightening the two screws [A] on the sides.



## Pendant - Square Canopy Driver Box (SCD) - Single Canopy

### WIRING DIAGRAMS (1 Circuit)

For electrical connections, follow the wiring diagrams according to specified drivers in product configuration.

#### STATIC WHITE

D1 / ELD1 / ELDO		DA		LTEA2W	
BLACK	HOT	BLACK	HOT	BLACK	HOT
WHITE	NEUTRAL	WHITE	NEUTRAL	WHITE	NEUTRAL
GREEN	GROUND	GREEN	GROUND	GREEN	GROUND
PURPLE	DIM (+) 0-10V	PURPLE	DALI (+)		
PINK or GRAY	DIM (-) 0-10V	PINK or GRAY	DALI (-)		

TO FIXTURE

TO FIXTURE

TO FIXTURE

Note:  
120V max input voltage

LDE1	
BLACK	HOT
WHITE	NEUTRAL
GREEN	GROUND
PURPLE	E1 TO ECOSYSTEM
PINK or GRAY	E2 ECOSYSTEM DIGITAL LINK

TO FIXTURE