

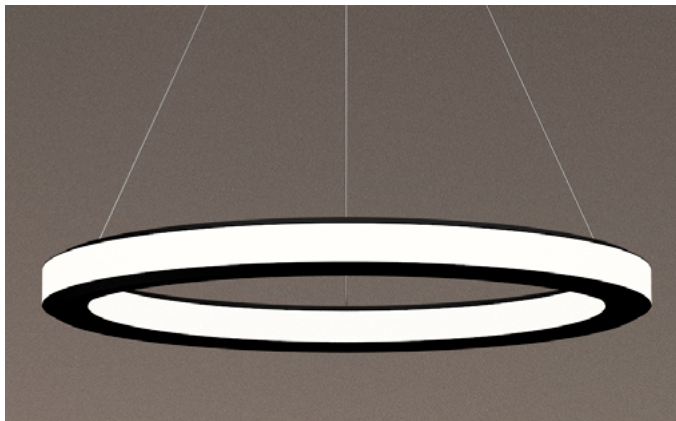
# ELIA ROUND

PENDANT  
STATIC WHITE

# LUMENWERX

Project: \_\_\_\_\_

Type: \_\_\_\_\_



## DESCRIPTION

Available in six standard sizes, from 2' to 8' diameter, Elia Round fixtures are decorative with a sleek profile suitable in any interior environment. Elia Round is equipped with LED arrays illuminating inward and outward from its circular housing. Certain smaller Elia Round sizes can be combined (two to three fixtures only) to form Multiple Round luminaires. It is also available with Chromawerx Sola, Duo, and Quadro.



## Order Guide

LUMINAIRE ID	SIZE	OPTIC	LIGHT SOURCE <sup>2</sup>	CRI	LUMEN PACKAGE (lm)				COLOR TEMP.	VOLTAGE
<b>ELIRP</b>		<b>ULO</b>	<b>SW</b>	<b>90</b>						
<b>ELIRP</b> - Elia Round Pendant	<b>24</b> - 24" diameter <b>36</b> - 36" diameter <b>48</b> - 48" diameter <b>60</b> - 60" diameter <b>72</b> - 72" diameter <b>96<sup>1</sup></b> - 96" diameter  <sup>1</sup> Shipped in separate pieces.	<b>ULO</b> - Uniform Lambertian Optic	<b>SW</b> - Static white  <sup>2</sup> Chromawerx Sola, Duo and Quadro also available. Consult factory for details.	<b>90</b> - 90CRI	24" 36" 48" 60" 72" 96"	Low <b>3000</b> <b>4500</b> <b>6000</b> <b>7500</b> <b>9000</b> <b>12000</b>	Medium <b>4000</b> <b>6000</b> <b>8000</b> <b>10000</b> <b>12000</b> <b>16000</b>	High <b>5000</b> <b>7500</b> <b>10000</b> <b>12500</b> <b>15000</b> <b>20000</b>	<b>27</b> - 2700K <b>30</b> - 3000K <b>35</b> - 3500K <b>40</b> - 4000K	<b>120</b> - 120V <b>277</b> - 277V <b>UNV</b> - 120V-277V <b>347<sup>3</sup></b> - 347V  <sup>3</sup> Available with D1 RDB only.

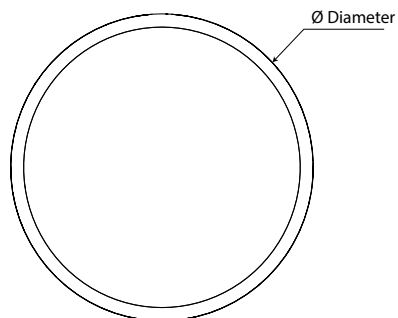
DRIVER <sup>4</sup>	ELECTRICAL <sup>6</sup>	MOUNTING				FINISH	
	<b>1C</b>						
<b>D1</b> - 1% 0-10V <b>DA<sup>5</sup></b> - DALI <b>LTEA2W</b> - Lutron 1% - 2 wire FP 120V <b>LDE1<sup>5</sup></b> - Lutron Hi-Lume 1% Eco <b>ELD1</b> - eldoLED 1% ECOdrive 0-10V <b>ELDO</b> - eldoLED0.1% SOLOdrive 0-10V  <sup>4</sup> PoE (Power-over-Ethernet) compatible. Consult factory for details. <sup>5</sup> On-site commissioning is required.	<b>1C</b> - 1 circuit  <sup>6</sup> For other circuit configurations, consult factory.	<b>DRIVER BOX <sup>7</sup></b> <b>RCD<sup>8</sup></b> - Round canopy driver box <b>RDB<sup>9</sup></b> - Remote driver box  <sup>7</sup> For more information see page 3. <sup>8</sup> Not available with 347V. <sup>9</sup> Multiple remote driver boxes may be necessary for lumen packages higher than 10000 lm.	<b>CANOPY FINISH</b> <b>W</b> - White <b>AL</b> - Aluminum <b>B</b> - Black <b>CF</b> - Custom finish, specify RAL#	<b>POWER</b> <b>POC</b> - Integrated suspension power-over-aircraft cable <b>BAC</b> - Black power cord + aircraft cable <b>WAC</b> - White power cord + aircraft cable	<b>MOUNTING POINTS</b> <b>SC<sup>10,11</sup></b> - Single canopy <b>MC<sup>12,13</sup></b> - Multiple canopies  <sup>10</sup> Available up to 60" only. <sup>11</sup> Available up to 6000 lm only (or 3500 lm with Lutron drivers) when specified with the RCD option. <sup>12</sup> 3 Canopies provided for Elia 24". 4 Canopies provided for other sizes. <sup>13</sup> With the RCD option, the type of each canopy may differ based on the selected lumen package and driver options. Consult factory for details.	<b>MOUNTING CABLE LENGTH <sup>14</sup></b> <b>18IN</b> - 18" <b>24IN</b> - 24" <b>36IN</b> - 36" <b>48IN</b> - 48" <b>60IN</b> - 60"  <sup>14</sup> For single canopy option, the minimum required mounting heights are (distance from ceiling to top of fixture in inches):	<b>W</b> - White <b>AL</b> - Aluminum <b>B</b> - Black <b>CF</b> - Custom finish, specify RAL#
<a href="#">See website for the Pendant Mounting Guide</a>							

# ELIA ROUND

PENDANT  
STATIC WHITE

# LUMENWERX

## Dimensions

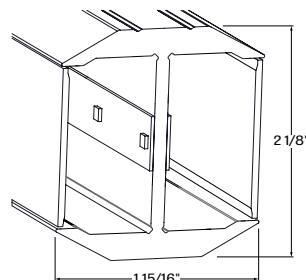


Ø Diameter

	ROUND
24	Ø 26 1/16"
36	Ø 37 7/16"
48	Ø 49 13/16"
60	Ø 62 1/8"
72	Ø 73 13/16"
96	Ø 98 7/16"

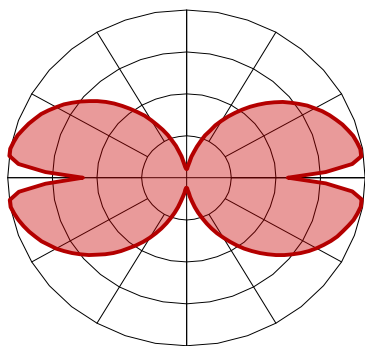
ELIRP - Elia Round Pendant

## SECTION VIEW



ELIRP - Elia Round Pendant

## Photometrics



Delivered lumens at 40K at 90 CRI

### Multiplier @ CRI90

CCT (K)	Watts	LPW
2700	1.08	0.92
3000	1.05	0.96
3500	1.02	0.98
4000	1.00	1.00

### 24" diameter

LED output	WATTS	NOMINAL DELIVERED LUMENS	LPW
Low	34.6	3000	87
Medium	47.7	4000	84
High	61.7	5000	81

### 48" diameter

LED output	WATTS	NOMINAL DELIVERED LUMENS	LPW
Low	69.2	6000	87
Medium	95.4	8000	84
High	123.5	10000	81

### 72" diameter

LED output	WATTS	NOMINAL DELIVERED LUMENS	LPW
Low	103.9	9000	87
Medium	143.2	12000	84
High	185.1	15000	81

### 36" diameter

LED output	WATTS	NOMINAL DELIVERED LUMENS	LPW
Low	52	4500	87
Medium	71.7	6000	84
High	92.3	7500	81

### 60" diameter

LED output	WATTS	NOMINAL DELIVERED LUMENS	LPW
Low	86.2	7500	87
Medium	119.3	10000	84
High	154.2	12500	81

### 96" diameter

LED output	WATTS	NOMINAL DELIVERED LUMENS	LPW
Low	138.5	12000	87
Medium	190.9	16000	84
High	246.9	20000	81

# ELIA ROUND

LUMENWERX

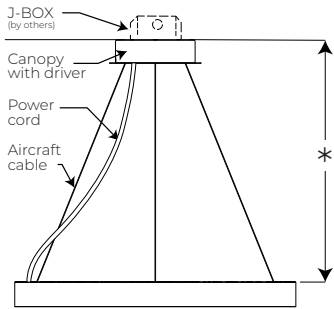
PENDANT  
STATIC WHITE

## Mounting Options

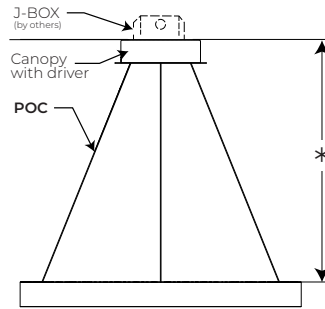
### RCD - ROUND CANOPY DRIVER BOX

#### SC - SINGLE CANOPY

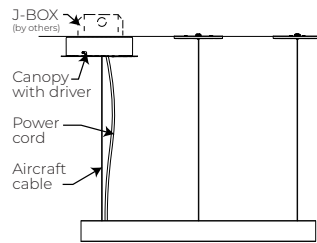
#### MC - MULTIPLE CANOPY



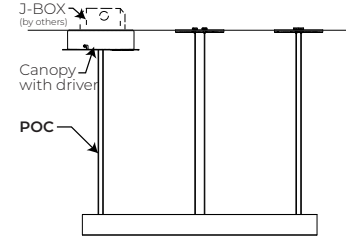
AC - Aircraft cable



POC - Power-over-aircraft cable



AC - Aircraft cable

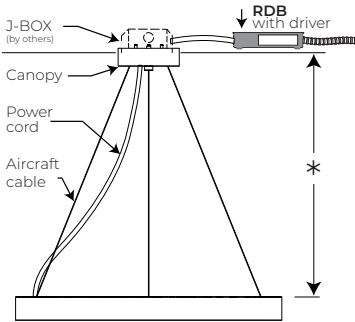


POC - Power-over-aircraft cable

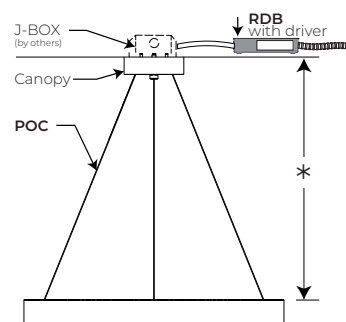
### RDB - REMOTE DRIVER BOX

#### SC - SINGLE CANOPY

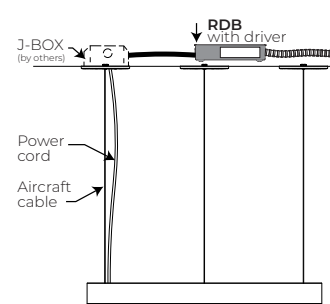
#### MC - MULTIPLE CANOPY



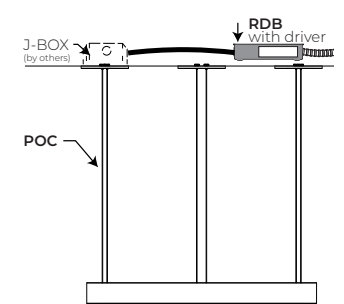
AC - Aircraft cable



POC - Power-over-aircraft cable



AC - Aircraft cable



POC - Power-over-aircraft cable

\*minimum height

For single canopy option, the minimum required mounting heights:

Fixture size	* Minimum height
Ø 24"	min height 15"
Ø 36"	min height 22"
Ø 48"	min height 29"
Ø 60"	min height 36"

# ELIA ROUND

PENDANT  
STATIC WHITE

# LUMENWERX

## Technical Specifications

### OPTIC

**Uniform Lambertian Optic (ULO)** - Thermoformed from impact-modified white PMMA, the ULO provides even luminosity, with up to 88% transmission.

Combined with the LED array running around the inside of the housing, the open form and ULO create a widespread 50% inward and 50% outward light distribution with spacing criteria of 1.6.

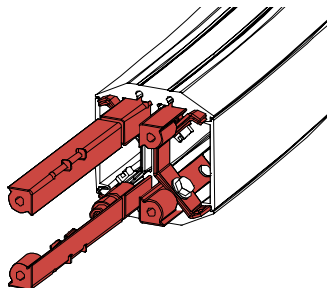
### LIGHT SOURCE - LED

Custom array of mid-flux LEDs are mounted directly to the housing for optimal thermal performance. Available in 2700K, 3000K, 3500K and 4000K with 90 CRI and elevated R9 value. Color consistency is maintained to 3 SDCM. LEDs are operated at a reduced drive current to optimize efficacy and lumen maintenance.

All LEDs have been tested in accordance with IESNA LM-80-08 and results have shown L80 lumen maintenance are greater than 60,000 hours. Absolute product photometry is measured and presented in accordance with IESNA LM-79, unless otherwise indicated.

### JOINER

For sizes that are shipped in separate pieces, all sections are joined together on site using pre-installed die cast joiners.



### ELECTRICAL

Factory-set, adjustable output current LED driver with universal (120-277VAC) input. Dimmable from 100% to 1% with 0-10V dimming control. Rated life (90% survivorship) of 50,000 hours at 50°C max. ambient (and 70°C max. case) temperature. At maximum driver load: Efficiency > 84%, PF > 0.9, THD < 20%. Other specifiable options include Lutron Hi-Lume 1% (specify 2-wire, or Ecosystem Dim-to-Off), eldoLED 1% ECOdrive 0-10V, eldoLED 0.1% SOLOdrive 0-10V, and DALI protocol drivers. All of our standard 0-10V drivers are NEMA 410 compliant.

### PoE

Depending on the PoE manufacturer selected, Lumenwerx will install the node in factory as either integral to the luminaire or as a remote module. Factory programming of the PoE node may or may not enable the following functionalities: lumen package, Duo (tunable white), Quadro (RGBW) emergency battery backup, and sensor integration. These must be addressed and evaluated on a case-by-case basis.

### FINISH

**Interior** - 95% reflective, matte white powder coating

**Exterior** - Matte white, matte black or aluminum powder coating. Custom finishes are also available.

### CONSTRUCTION

**Housing** - Rolled and seamlessly welded aluminum extrusion, wide variety of colored powder coating

**Diffuser** - Uniform Lambertian optic, co-extruded flexible polycarbonate satine finished lens

### WEIGHT

**Elia round 24** - 10lbs - 4.4kg

**Elia round 36** - 15lbs - 6.8kg

**Elia round 48** - 20lbs - 9kg

**Elia round 60** - 25lbs - 11.2kg

**Elia round 72** - 30lbs - 13.6kg

**Elia round 96** - 40.2lbs - 18.2kg

### CERTIFICATIONS

**ETL** - Rated for Indoor Dry/Damp locations. Conforms to UL Standard 1598 and certified to CAN/CSA Standard C22.2 No. 250.0.

### WARRANTY

Lumenwerx provides a five-year limited warranty of electrical and mechanical performance of the luminaires, including the LED boards, drivers, and auxiliary electronics. Lumenwerx will repair or replace defective luminaires or components at our discretion, provided they have been installed and operated in accordance with our specifications. Other limitations apply, please refer to the full warranty on our website.