

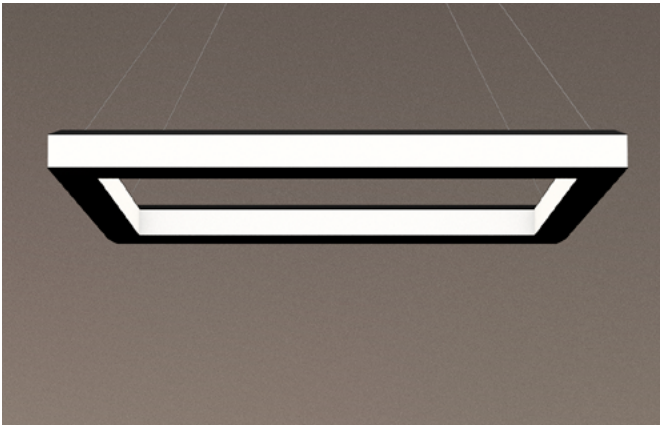
ELIA SQUARE

PENDANT
STATIC WHITE

LUMENWERX

Project: _____

Type: _____



DESCRIPTION

Available in six standard sizes, from 1' x 1' to 8' x 8', Elia Square fixtures are decorative with a sleek profile suitable in any interior environment. Elia Square is equipped with LED arrays illuminating inward and outward from its square housing. It is also available with Chromawerx Sola, Duo, and Quadro.



Order Guide

LUMINAIRE ID	SIZE	OPTIC	LIGHT SOURCE ²	CRI	LUMEN PACKAGE (lm)			COLOR TEMP	VOLTAGE	
ELISP		ULO	SW	90						
ELISP - Elia Square Pendant	12 - 12" x 12" 24 - 24" x 24" 36 - 36" x 36" 48 - 48" x 48" 72 - 72" x 72" 96 ¹ - 96" x 96" ¹ Shipped in separate pieces.	ULO - Uniform Lambertian Optic	SW - Static white ² Chromawerx Sola, Duo and Quadro also available. Consult factory for details.	90 - 90CRI	12 24 36 48 72 96	Low 1900 3800 5800 7700 11500 15400	Medium 2500 5000 7600 10200 15300 20400	High 3100 6300 9500 12800 19100 25500	27 - 2700K 30 - 3000K 35 - 3500K 40 - 4000K	120 - 120V 277 - 277V UNV - 120V-277V 347V ³ - 347V ³ Available with DI RDB only.

DRIVER ⁴	ELECTRICAL ⁶	MOUNTING				FINISH											
	1C																
DI - 1% 0-10V DA ⁵ - DALI LTEA2W - Lutron 1% - 2 wire FP 120V LDEI ⁵ - Lutron Hi-Lume 1% Eco ELD1 - eldoLED 1% ECOdrive 0-10V ELDO - eldoLED0.1% SOLOdrive 0-10V ⁴ PoE (Power-over-Ethernet) compatible. Consult factory for details. ⁵ On-site commissioning is required.	1C - 1 circuit ⁶ For other circuit configurations, consult factory.	DRIVER BOX ⁷ SCD ⁸ - Square canopy driver box RDB ⁹ - Remote driver box ⁷ For more information see page 3. ⁸ Not available with 347V. ⁹ Multiple remote driver boxes may be necessary for lumen packages higher than 10000 lm	CANOPY FINISH W - White AL - Aluminum B - Black CF - Custom finish, specify RAL#	POWER POC - Integrated suspension power-over-aircraft cable BAC - Black power cord + aircraft cable WAC - White power cord + aircraft cable	MOUNTING POINTS SC ^{10,11} - Single canopy MC ^{12,13} - Multiple canopies ¹⁰ Available up to Elia 48 only. ¹¹ Available up to 6000 lm only (or 3500 lm with Lutron drivers) when specified with the SCD option. ¹² 4 Canopies provided. ¹³ With the SCD option, the type of each canopy may differ based on the selected lumen package and driver options. Consult factory for details.	MOUNTING CABLE LENGTH ¹⁴ 18IN - 18" 24IN - 24" 36IN - 36" 48IN - 48" 60IN - 60" 72IN - 72" 96IN - 96" 120IN - 120" ##IN - Specify nominal length in inches ¹⁴ For single canopy option the minimum required mounting height are (distance from ceiling to top of fixture in inches): <table border="1"> <thead> <tr> <th>Fixture size</th> <th>Minimum height</th> </tr> </thead> <tbody> <tr> <td>Elia 12 - 12" x 12"</td> <td>min. 7"</td> </tr> <tr> <td>Elia 24 - 24" x 24"</td> <td>min. 15"</td> </tr> <tr> <td>Elia 36 - 36" x 36"</td> <td>min. 22"</td> </tr> <tr> <td>Elia 48 - 48" x 48"</td> <td>min. 29"</td> </tr> </tbody> </table>	Fixture size	Minimum height	Elia 12 - 12" x 12"	min. 7"	Elia 24 - 24" x 24"	min. 15"	Elia 36 - 36" x 36"	min. 22"	Elia 48 - 48" x 48"	min. 29"	W - White AL - Aluminum B - Black CF - Custom finish, specify RAL#
Fixture size	Minimum height																
Elia 12 - 12" x 12"	min. 7"																
Elia 24 - 24" x 24"	min. 15"																
Elia 36 - 36" x 36"	min. 22"																
Elia 48 - 48" x 48"	min. 29"																
See website for the Pendant Mounting Guide																	

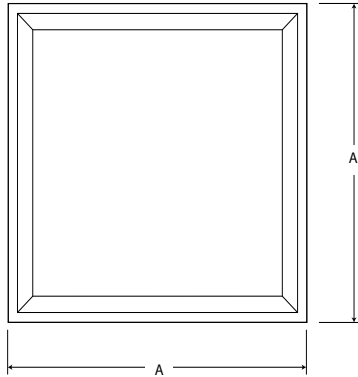
ELIA SQUARE

PENDANT
STATIC WHITE

LUMENWERX

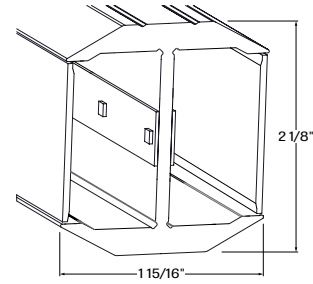
Dimensions

SECTION VIEW



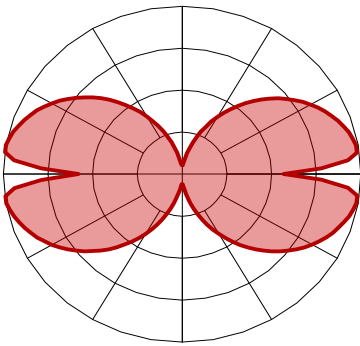
ELISP - Elia Square Pendant

A	
	SQUARE
12	14 7/16"
24	26 7/16"
36	38 7/16"
48	50 7/16"
72	74 7/16"
96	98 7/16"



ELISP - Elia Square Pendant

Photometrics



Delivered lumens at 40K at 90 CRI

Multiplier @ CRI90

CCT (K)	Watts	LPW
2700	1.08	0.92
3000	1.05	0.96
3500	1.02	0.98
4000	1.00	1.00

12" x 12"

LED output	WATTS	NOMINAL DELIVERED LUMENS	LPW
Low	21.8	1900	87
Medium	29.8	2500	84
High	38.2	3100	81

24" x 24"

LED output	WATTS	NOMINAL DELIVERED LUMENS	LPW
Low	43.7	3800	87
Medium	59.5	5000	84
High	77.7	6300	81

36" x 36"

LED output	WATTS	NOMINAL DELIVERED LUMENS	LPW
Low	66.7	5800	87
Medium	90.5	7600	84
High	117.3	9500	81

48" x 48"

LED output	WATTS	NOMINAL DELIVERED LUMENS	LPW
Low	88.5	7700	87
Medium	121.4	10200	84
High	158	12800	81

72" x 72"

LED output	WATTS	NOMINAL DELIVERED LUMENS	LPW
Low	132.2	11500	87
Medium	182.1	15300	84
High	235.8	19100	81

96" x 96"

LED output	WATTS	NOMINAL DELIVERED LUMENS	LPW
Low	177	15400	90
Medium	242.9	20400	87
High	314.8	25500	84

ELIA SQUARE

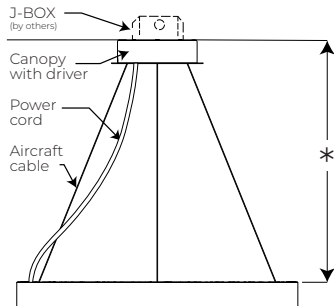
PENDANT
STATIC WHITE

LUMENWERX

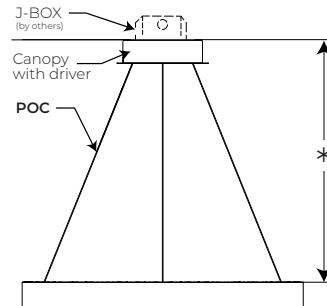
Mounting Options

SCD - SQUARE CANOPY DRIVER BOX

SC - SINGLE CANOPY

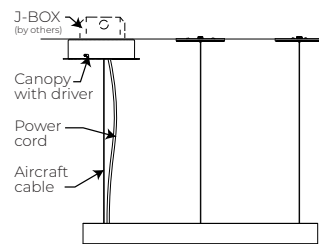


AC - Aircraft cable

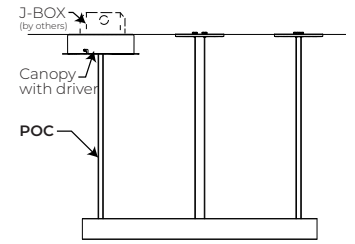


POC - Power-over-aircraft cable

MC - MULTIPLE CANOPY



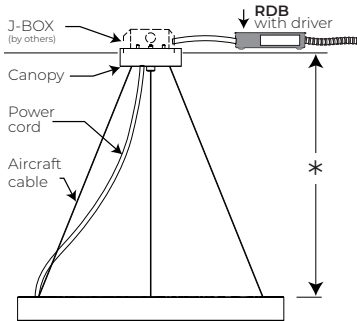
AC - Aircraft cable



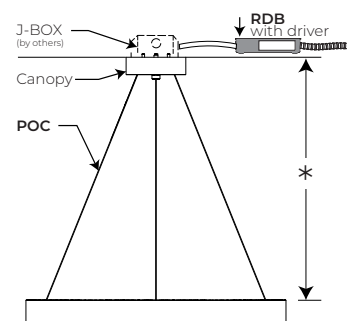
POC - Power-over-aircraft cable

RDB - REMOTE DRIVER BOX

SC - SINGLE CANOPY

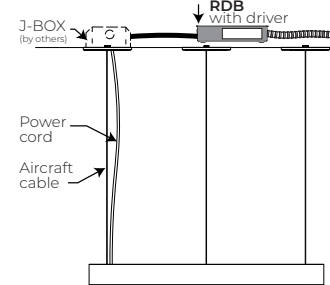


AC - Aircraft cable

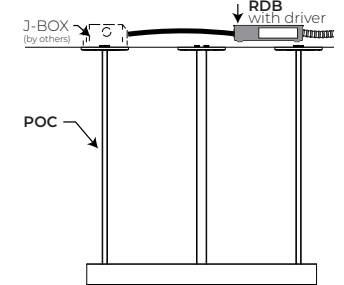


POC - Power-over-aircraft cable

MC - MULTIPLE CANOPY



AC - Aircraft cable



POC - Power-over-aircraft cable

*minimum height

For single canopy option, the minimum required mounting heights:

Fixture size	* Minimum height
Elia 12 - 12" x 12"	min 7"
Elia 24 - 24" x 24"	min 15"
Elia 36 - 36" x 36"	min 22"
Elia 48 - 48" x 48"	min 29"

ELIA SQUARE

LUMENWERX

PENDANT

STATIC WHITE

Technical Specifications

OPTIC

Uniform Lambertian Optic (ULO) - Thermoformed from impact-modified white PMMA, the ULO provides even luminosity, with up to 88% transmission.

Combined with the LED array running around the inside of the housing, the open form and ULO create a widespread 50% inward and 50% outward light distribution with spacing criteria of 1.6.

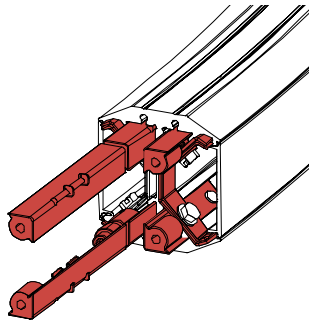
LIGHT SOURCE - LED

Custom array of mid-flux LEDs are mounted directly to the housing for optimal thermal performance. Available in 2700K, 3000K, 3500K and 4000K with 90 CRI and elevated R9 value. Color consistency is maintained to 3 SDCM. LEDs are operated at a reduced drive current to optimize efficacy and lumen maintenance.

All LEDs have been tested in accordance with IESNA LM-80-08 and results have shown L80 lumen maintenance are greater than 60,000 hours. Absolute product photometry is measured and presented in accordance with IESNA LM-79, unless otherwise indicated.

JOINER

For sizes that are shipped in separate pieces, all sections are joined together on site using pre-installed die cast joiners.



ELECTRICAL

Factory-set, adjustable output current LED driver with universal (120-277VAC) input. Dimmable from 100% to 1% with 0-10V dimming control. Rated life (90% survivorship) of 50,000 hours at 50°C max. ambient (and 70°C max. case) temperature. At maximum driver load: Efficiency > 84%, PF > 0.9, THD < 20%. Other specifiable options include Lutron Hi-Lume 1% (specify 2-wire, or Ecosystem Dim-to-Off), eldoLED 1% ECOdrive 0-10V, eldoLED 0.1% SOLOdrive 0-10V, and DALI protocol drivers. All of our standard 0-10V drivers are NEMA 410 compliant.

PoE

Depending on the PoE manufacturer selected, Lumenwerx will install the node in factory as either integral to the luminaire or as a remote module. Factory programming of the PoE node may or may not enable the following functionalities: lumen package, Duo (tunable white), Quadro (RGBW) emergency battery backup, and sensor integration. These must be addressed and evaluated on a case-by-case basis.

FINISH

Interior - 95% reflective, matte white powder coating

Exterior - Matte white, matte black or aluminum powder coating. Custom finishes are also available.

CONSTRUCTION

Housing - Rolled and seamlessly welded aluminum extrusion, wide variety of colored powder coating

Diffuser - Uniform Lambertian optic, co-extruded flexible polycarbonate satine finished lens

WEIGHT

Elia square 12 - 6.4lbs - 2.8kg

Elia square 24 - 12.8lbs - 5.8kg

Elia square 36 - 19.2lbs - 8.6kg

Elia square 48 - 25.6lbs - 11.6kg

Elia square 72 - 38.4lbs - 17.4kg

Elia square 96 - 51.2lbs - 23.2kg

CERTIFICATIONS

ETL - Rated for Indoor Dry/Damp locations. Conforms to UL Standard 1598 and certified to CAN/CSA Standard C22.2 No. 250.0.

WARRANTY

Lumenwerx provides a five-year limited warranty of electrical and mechanical performance of the luminaires, including the LED boards, drivers, and auxiliary electronics. Lumenwerx will repair or replace defective luminaires or components at our discretion, provided they have been installed and operated in accordance with our specifications. Other limitations apply, please refer to the full warranty on our website.