



Evoq Components

Declare.



Fixtures

- 12 inches
- 18 inches
- 48 inches



Ramps

- Mud-in
- Direct Mount
- Field-Curveable
- Other Options



Cables

- Leader Cable
- Leader Cable 90-Degree
- Jumper Cable

EVOQ COMPONENTS

COVE LIGHTING



Project: _____
 Type: _____

Order Guide

1 - Fixture

LUMINAIRE ID	OPTIC	LIGHT SOURCE ²	CRI	LUMEN PACKAGE
EVOQ				
EVOQ ¹ - Evoq ¹ See other spec sheet for Evoq system.	ANO - Asymmetric Narrow Optic AWO - Asymmetric Wide Optic	SW - Static white FS - Full Spectrum SOLA ³ - Dim-to-warm single channel control DUO ³ - Tunable white 2-channel control ² Consult factory for solid colors, such as red, green and blue. ³ Not available with 12" fixtures.	80CRI ⁴ - 80+ CRI 90CRI ⁴ - 90+ CRI 95CRI - 95+ CRI ⁴ Not available with full spectrum.	350LMF - 350 lm/ft 500LMF ⁵ - 500 lm/ft 750LMF ⁶ - 750 lm/ft 1000LMF ⁷ - 1000 lm/ft 1200LMF ^{7,8} - 1200 lm/ft ⁵ Only available with 48" fixtures when specified with ELV/TRI. ⁶ Only available with 18" and 48" fixtures when specified with ELV/TRI. ⁷ Fixture will be bright and not recommended to use in shallow coves. ⁸ Not available with full spectrum.

COLOR TEMPERATURE	LENGTH	VOLTAGE	DRIVER
22K ^{9,10} - 2200K 27K - 2700K 30K - 3000K 35K - 3500K 40K - 4000K 50K - 5000K 65K ¹⁰ - 6500K ⁹ Not available with full spectrum. ¹⁰ Not available with 95+ CRI when specified with static white.	12IN ¹¹ - 12" 18IN - 18" 48IN - 48" ¹¹ Not available with SOLA/DUO.	120V - 120V 277V - 277V UNV - 120V-277V	D1 - 1% 0-10V ELV ^{12,13} - ELV 120V TRI ^{12,13} - TRIAC 120V LDE1 ^{13,14,15} - Lutron Hi-lume 1% Eco ¹² Available with 120V only. ¹³ Not available with 350 lm/ft. ¹⁴ On-site commissioning is required. ¹⁵ Not available with 12" fixtures.
SOLA / DUO ##K##K - Specify the high and low CCT values (##)			DA ^{13,14} - DALI ELD1 ¹³ - eldoLED 1% ECOdrive 0-10V ELDO ¹³ - eldoLED 0.1% SOLOdrive 0-10V +#EMB ^{16,17} - Emergency battery ¹⁶ Available with 48" fixtures only. ¹⁷ Specify quantity (#) and add to the driver code, e.g. D1+EMB. Each battery powers a 48" fixture.
			SOLA SDI - Single 0-10V input
			DUO DMX ^{14,16} - DMX DDA ¹⁴ - DALI DT6 DDA8 ¹⁴ - DALI DT8 DD1 - Dual 0-10V input for CCT/intensity LD2 ^{13,14} - Lutron DALI-2 digital

2 - Leader Cable (order separately)

LUMINAIRE ID ¹⁸
EVLC - Evoq 10' leader cable EVLC90 - Evoq 10' leader cable 90° ¹⁸ See pages 4 for details.

3 - Jumper Cable (optional, order separately)

LUMINAIRE ID ¹⁹	LENGTH
EVJC	
EVJC - Evoq jumper cable ¹⁹ See pages 4 for details.	8IN - 8" 12IN - 12"

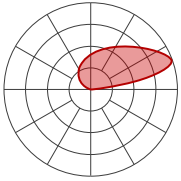
4 - Ramp (optional, order separately)

LUMINAIRE ID	CORNER TYPE	MOUNTING ²⁰	LENGTH	RAMP FINISH	OPTION
EVOQRMP					
EVOQRMP - Evoq ramp	LEVIC - Leveled inside corner LEVOC - Leveled outside corner NA - Not applicable	Linear and Pattern with straight corners <u>Mud-in</u> FE1 - Flat edge FE2 - Flat edge with air return KE1 - Knife edge 35° WCA - Wall cove with adjustable brackets <u>Direct mount</u> DM1 - Flat edge direct mount DM2 - Flat edge direct mount with gasketed clear cover DM3 - Flat edge direct mount with adjustable brackets <u>Rail for existing coves</u> ²¹ ADJ - Adjustable brackets with mounting rail ²⁰ See page 5 to 12 for details. ²¹ For existing coves. No ramp is provided.	Pattern with curved corners <u>Field-curveable (mud-in)</u> FC1 - Field-curveable corners with non-field-curveable straight sections with flat edge FC2 - Field-curveable ramp with flat edge ²² For FC1 and FC2 only. Order for curved corner sections.	4FT ²² - 4' 8FT - 8' UNF ²³ - Unfinished W - Matte white CF# - Custom finish, specify RAL# ²³ Not available with direct mount mounting options.	ECP ^{24,25} - End caps NA - None ²⁴ Two end caps are provided. ²⁵ Not available with ADJ.

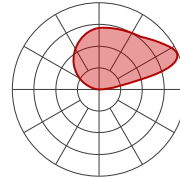


Fixture

OPTICS

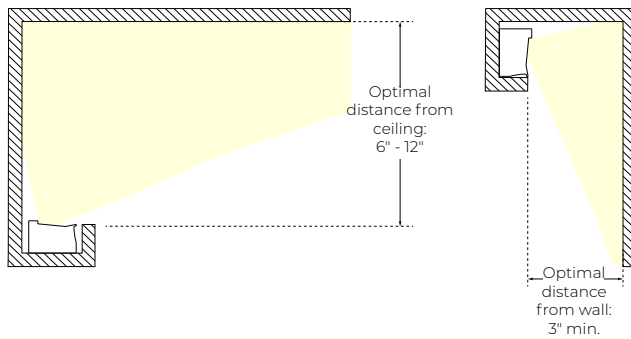


ANO

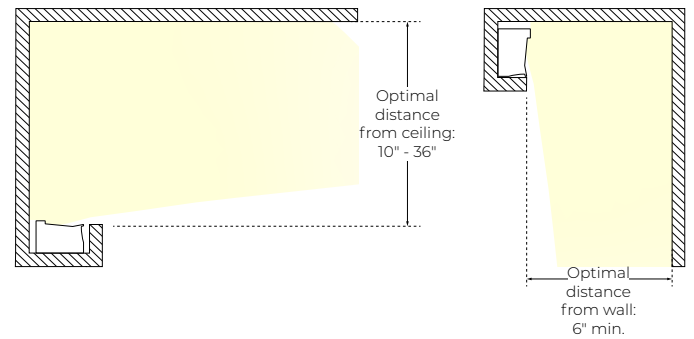


AWO

ANO - Asymmetric Narrow Optic



AWO - Asymmetric Wide Optic



PHOTOMETRICS

Values calculated based on a 12" fixture at 3500K for all optics.

STATIC WHITE
80+ CRI / 90+ CRI

LM/FT	W/FT	LM/W
350	3.4	103
500	5.6	89
750	7.7	97
1000	9.8	102
1200	11.5	104

STATIC WHITE
95+ CRI

LM/FT	W/FT	LM/W
350	4.1	85
500	6.7	75
750	9.3	81
1000	11.8	85
1200	13.9	104

FULL SPECTRUM

LM/FT	W/FT	LM/W
350	5.1	69
500	8.3	60
750	11.5	65
1000	14.6	68
1200	17.2	70

SOLA/DUO

LM/FT	W/FT	LM/W
350	3.5	100
500	5.7	88
750	7.9	95
1000	10.1	99
1200	11.8	102

MULTIPLIER TABLE

Use this table to get results for different color temperatures.

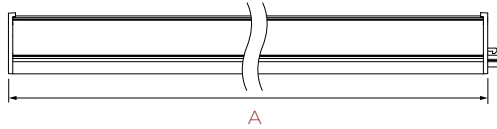
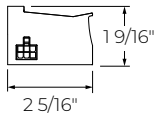
CCT	WATTS	
	80+ CRI/ 90+ CRI/ 95+ CRI	
2200K	1.03	
2700K	1.02	
3000K	1.00	
3500K	1.00	
4000K	0.97	
5000K	0.97	
6500K	0.99	

EVOQ COMPONENTS

COVE LIGHTING

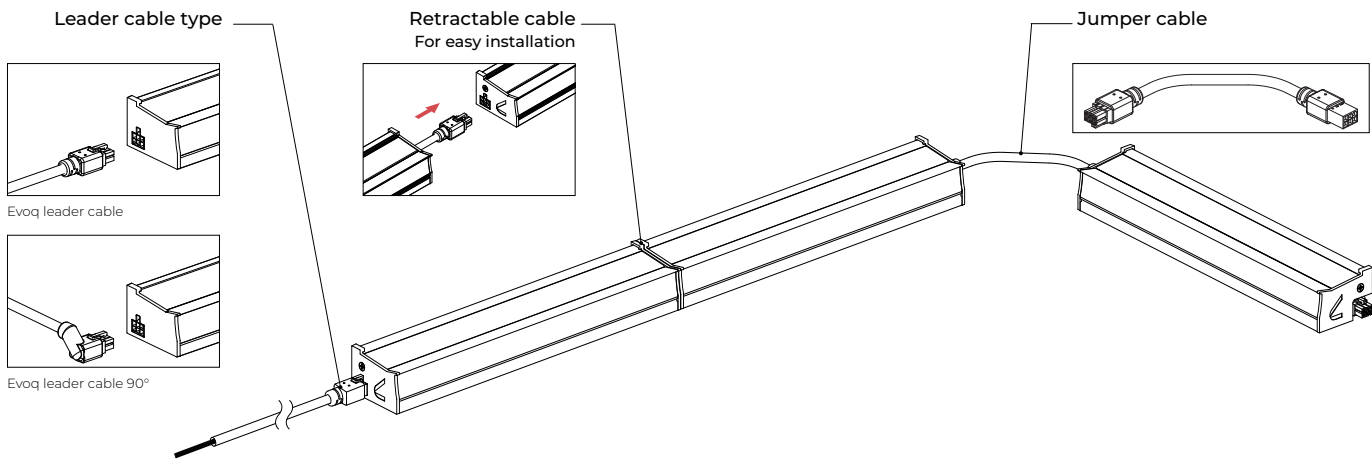


FIXTURE DIMENSIONS



NOMINAL LENGTH	A	
	TOTAL LENGTH	
12 IN	12 1/4"	
18 IN	18 1/4"	
48 IN	48 1/4"	

OVERVIEW



Maximum run length per leader cable

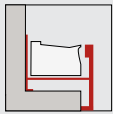
	350 lm/ft		500 lm/ft		750 lm/ft		1000 lm/ft		1200 lm/ft	
	120V / UNV	277V	120V / UNV	277V	120V / UNV	277V	120V / UNV	277V	120V / UNV	277V
Static white - 80+ CRI/ 90+ CRI	200'	200'	120'	200'	90'	200'	70'	160'	60'	140'
Static white - 95+ CRI	170'	200'	100'	200'	70'	170'	60'	140'	50'	110'
Full spectrum	140'	200'	80'	200'	60'	140'	40'	110'	NA	NA
SOLA/DUO	200'	200'	120'	200'	90'	200'	70'	160'	60'	140'

Mounting

Mud-in

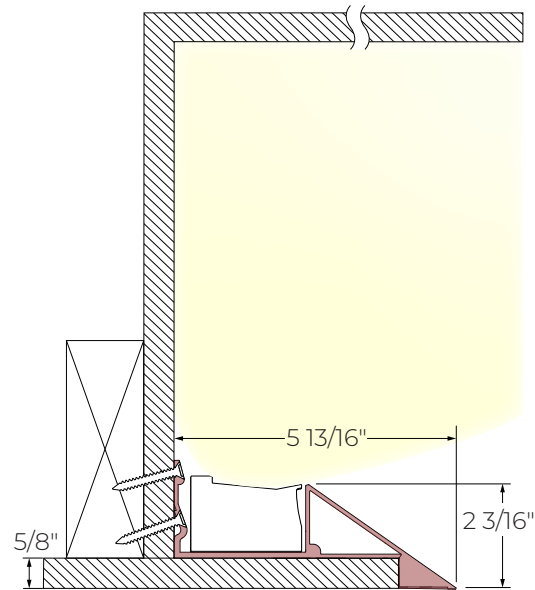
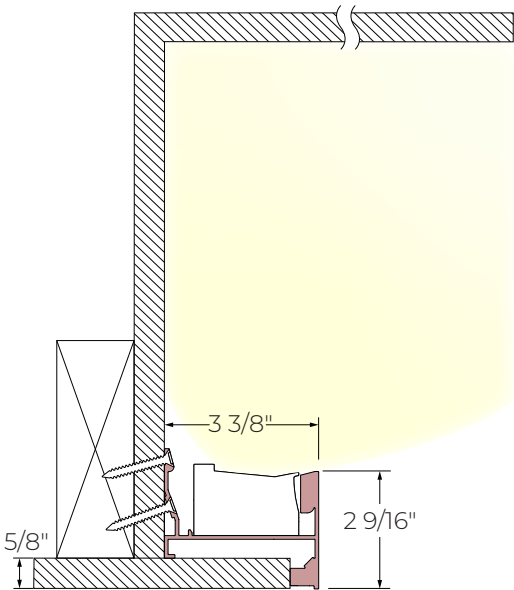
6 RAMP OPTIONS

Evoq Mud-in ramps serve as prebuilt cove structures. They are factory-built and field-cuttable. They require plastering and painting. The ramps come in 8' sections with integrated alignment joiners and pins for an uninterrupted cove finish.



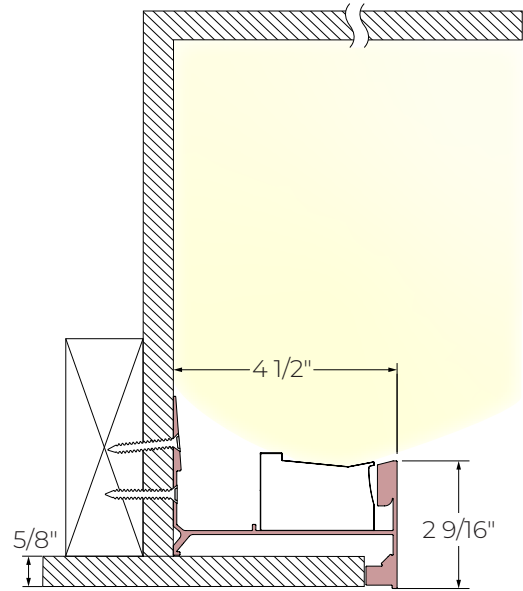
FE1 - Flat edge mount ramp

KE1 - Knife edge mount ramp

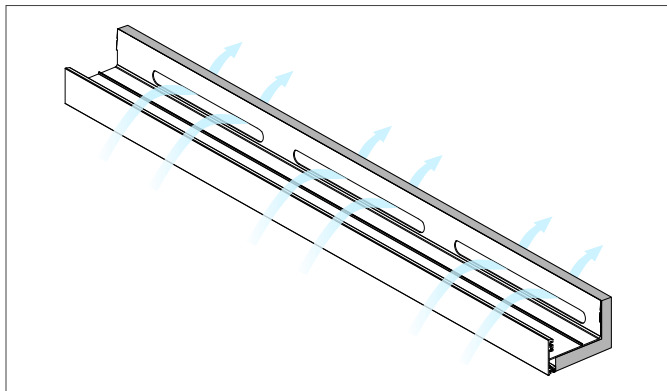
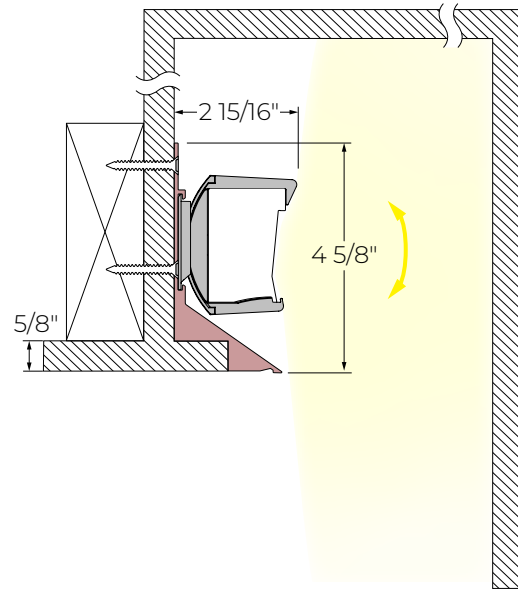


Mud-In Mounting

FE2 - Flat edge with air return



WCA - Wall cove with adjustable brackets



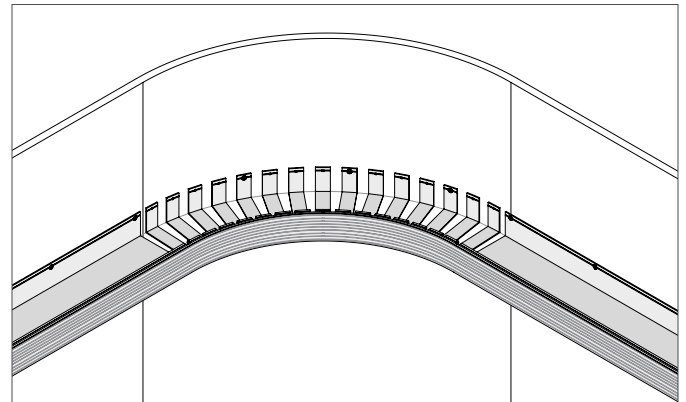
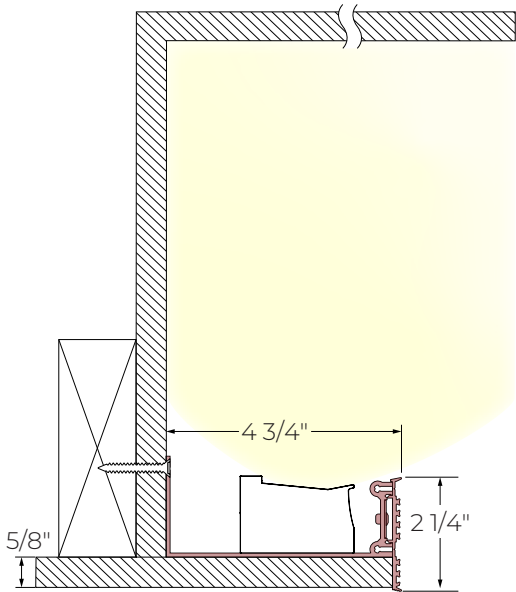
Field-Curvable

2 RAMP OPTIONS (MUD-IN)

The Field-Curvable ramps are adjustable on-site to match the curved or straight contours of the wall/ceiling structure. The FC1 ramp includes field-curveable corner sections and non-field-curveable straight sections. The FC2 ramp option comes in 6' sections and is fully field-curveable for curved or straight structures. Both options are field cuttable and require plastering and painting.

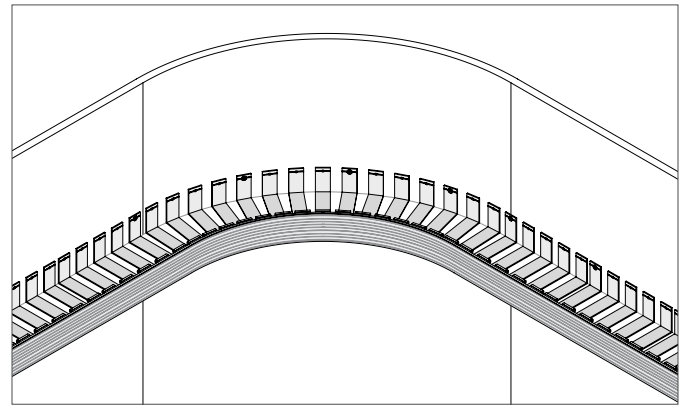
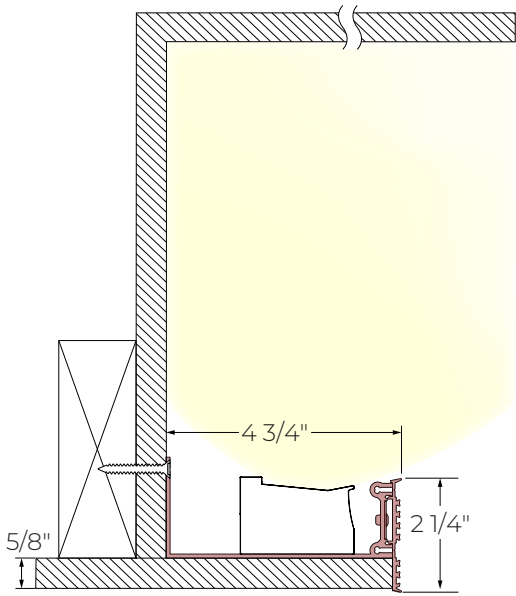


FC1 - Field-curveable corners with non-field-curveable straight sections with flat edge



Field-Curvable Mounting

FC2 - Field-curvable ramp with flat edge



Linear Run



Pattern Straight Corners

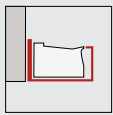


Pattern Curved Corners

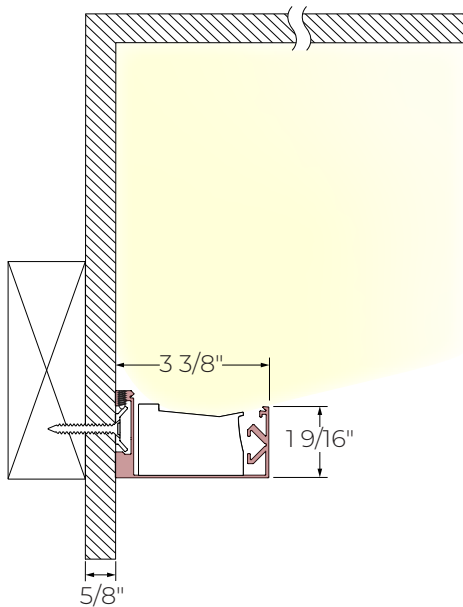
Direct Mount

3 RAMP OPTIONS

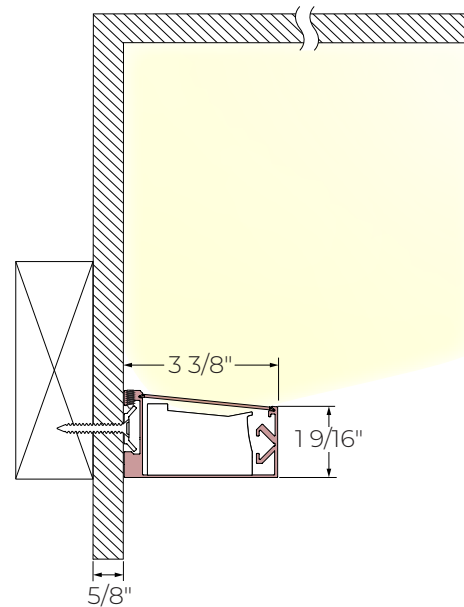
Evoq Direct Mount ramps offer prebuilt, finished architectural cove profiles, eliminating the need for plastering and painting. They are field-cutttable for precision fitting and available in 8' sections with integrated alignment joiners and pins for an uninterrupted cove finish.



DM1 - Flat edge direct mount

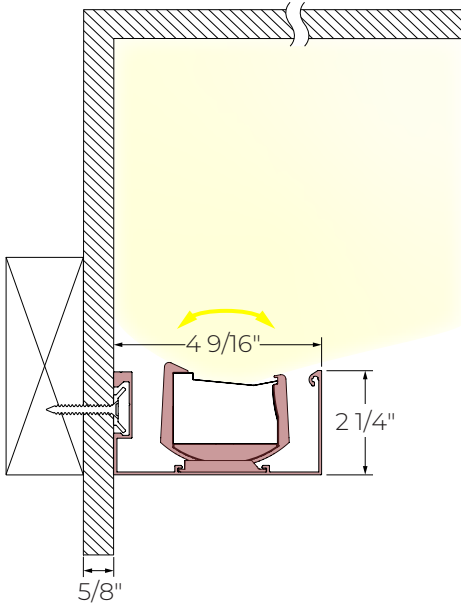


DM2 - Flat edge direct mount with gasketed clear cover



Direct Mount Mounting

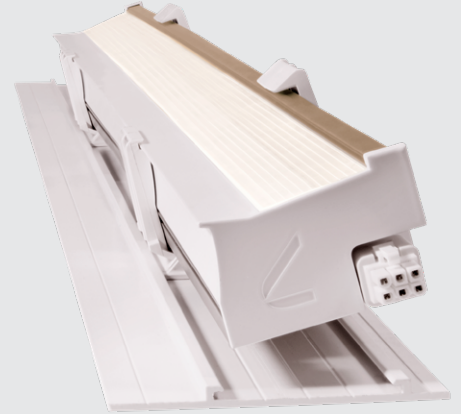
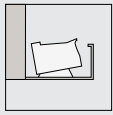
DM3 - Flat edge direct mount with adjustable brackets



Additional Options

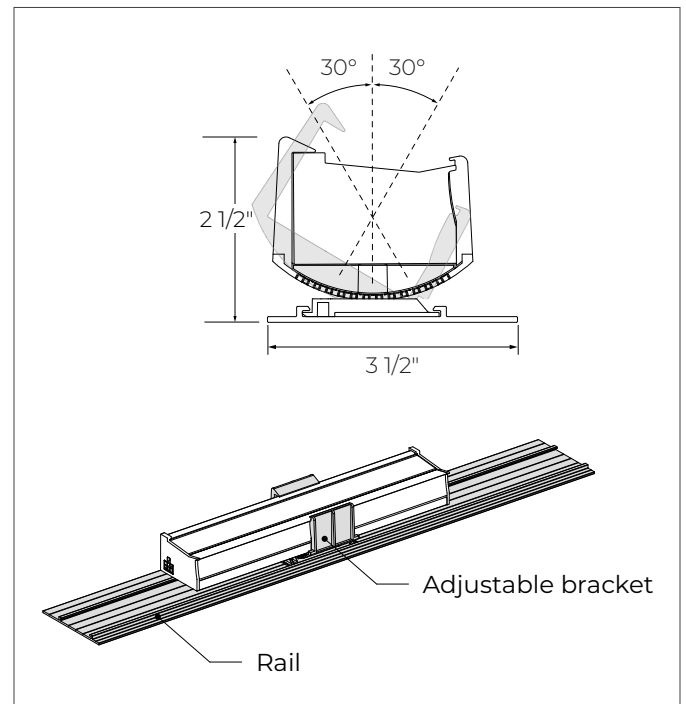
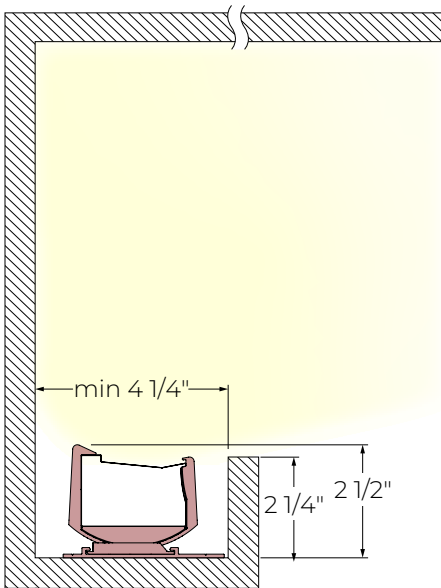
(COVE BY OTHERS)

Evoq fixtures can be integrated into existing coves as standalone fixtures (NA) or by using the Adjustable Brackets with Mounting Rail option (ADJ).



ADJ - Adjustable brackets with mounting rail

Rail for existing coves

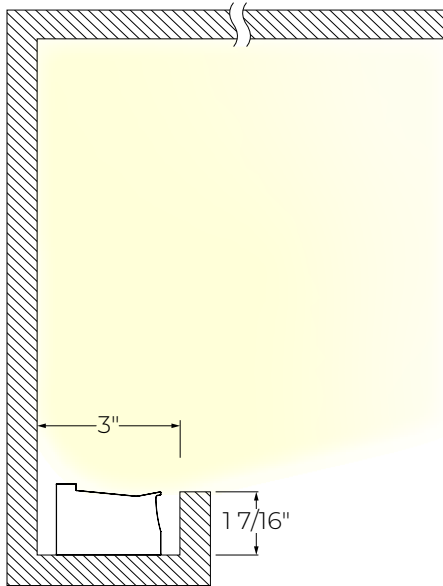


Additional Options

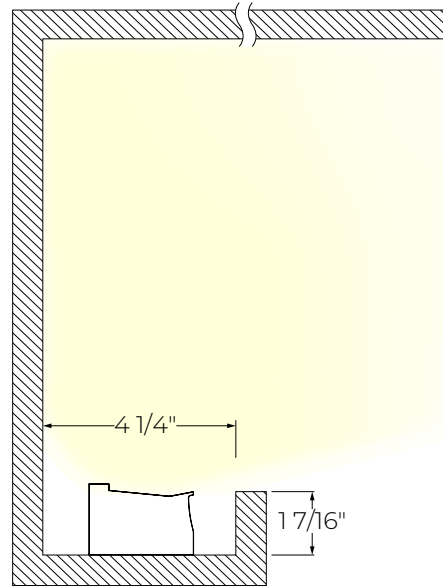
NA - Fixture only

Recommended cove dimensions

Cove with straight corners



Cove with curved corners



Technical Specifications

OPTICS

Asymmetric Narrow Optic (ANO)

The Asymmetric Narrow Optic (ANO) is designed specifically for shallow coves with optimal performance achieved with fixture placement at 6"-12" from the ceiling. Its precise projection of light along ceilings and walls is evenly distributed with a soft, homogeneous gradient effect. The ANO peak intensity angle from nadir is at 110°, making it a true asymmetric optic that directs the light where it is intended.

Asymmetric Wide Optic (AWO)

The Asymmetric Wide Optic (AWO) excels at maximizing light projection even farther to create a soft gradient illumination with remarkable uniformity in deeper coves. The AWO's optimal performance is achieved with fixture placement at 10"-36" from the ceiling. Its peak intensity angle from nadir is at 107°, creating a true asymmetric optic that aims light exactly where needed.

LIGHT SOURCE

Static white

Custom linear array of mid-flux LEDs available in 2200K, 2700K, 3000K, 3500K, 4000K, 5000K, and 6500K with a minimum 80+ CRI and options for 90+ CRI and 95+ CRI with elevated R9 value. Color consistency maintained to within 3 SDCM. All LEDs have been tested in accordance with IESNA LM-80-08 and the results have shown L80 lumen maintenance greater than 60,000 hours. Absolute product photometry is measured and presented in accordance with IESNA LM-79, unless otherwise indicated.

Full spectrum

The full spectrum LED option offers improved color particularly in the cyan region which helps increase Cyanosis Observation Index (COI) and assist in regulating circadian rhythms. The cyan region in full spectrum LED is richer at the 480 nm range.

Chromawerx SOLA

Chromawerx SOLA is single-channel control that dims output while warming the color temperature in a pre-determined relationship. The color temperature range can be specified from the following options: 2200K, 2700K, 3000K, 3500K, 4000K, 5000K, and 6500K. A simple analog control adjusts a specially populated LED array to emulate the effect of dimming a filament source.

Chromawerx DUO

Chromawerx DUO offers a two-channel control system which uses analog or digital protocols for synchronous control of both cool to warm LED arrays - maintaining a CRI above 90. The color temperature range can be specified from the following options: 2200K, 2700K, 3000K, 3500K, 4000K, 5000K, and 6500K. The range of color DUO offers is useful for entraining circadian rhythms, stimulating alertness, and compensating for jet lag among other applications. The Chromawerx drivers are programmed to limit maximum light output and power usage across all color temperatures. When paired with DALI drivers (DDA/DDA8), color tuning follows a linear dimming curve.

LENGTH

Evoq fixtures are available in 12", 18", and 48" lengths. They can be connected with quick connectors to create longer runs.

ELECTRICAL

Factory-set, adjustable output current LED driver with universal (120-277 VAC) input. Dimmable from 100% to 1% with 0-10V dimming control. Rated life (90% survivorship) of 50,000 hours at 50°C max. ambient (and 70°C max. case) temperature. At maximum driver load: Efficiency > 84%, PF > 0.9, THD < 20%. Other specifiable options include ELV, TRIAC, Lutron Hi-Lume 1% Eco, DALI, eldoLED 1% ECOdrive 0-10V, eldoLED 0.1% SOLOdrive 0-10V, DMX, and Lutron DALI-2 digital protocol drivers. All of our standard 0-10V drivers are NEMA 410 compliant.

Battery

Each emergency battery (#EMB) powers a 48" fixture. Specify the number of batteries (#) required.

Factory installed long life, high temperature, maintenance-free Lithium-Ion battery pack with self-test functionality, test switch and charge indicator. Minimum of 90 minutes operation, up to 1000 lumens per 4' (25°C) emergency lighting output and recharge time of 24 hours.

MOUNTING

Evoq Components are available with mud-in, direct mount or field-curved ramps. The Evoq fixtures can also be used in pre-existing coves either as standalone luminaires or installed with adjustable mounting brackets and rail.

FINISH

Mud-in: Unfinished, matte white, or custom finish

Direct mount: Matte white or custom finish

EVOQ COMPONENTS

COVE LIGHTING



CONSTRUCTION

Housing: Extruded aluminum

Ramp: Extruded aluminum

Lens: Acrylic

End cap: Aluminum

WEIGHT

Fixture:

12": 1.5 lbs - 0.68 kg

18": 2.1 lbs - 0.95 kg

48": 4.3 lbs - 1.95 kg

Ramp:

FE1: 1.6 lbs/ft - 0.72 kg/ft

FE2: 1.7 lbs/ft - 0.76 kg/ft

KE1: 1.8 lbs/ft - 0.83 kg/ft

WW1: 1.0 lbs/ft - 0.45 kg/ft

DM1: 1.0 lbs/ft - 0.45 kg/ft

DM2: 1.1 lbs/ft - 0.50 kg/ft

DM3: 1.1 lbs/ft - 0.50 kg/ft

FC1: 0.7 lbs/ft - 0.30 kg/ft

FC2: 0.7 lbs/ft - 0.30 kg/ft

ADJ: 0.4 lbs/ft - 0.20 kg/ft

CERTIFICATIONS

ETL: Rated for indoor dry/damp locations. Conforms to UL Standard 1598 and certified to CAN/CSA Standard C22.2 No. 250.0.

Declare: [LBC Red List Approved](#)

WARRANTY

Lumenwerx provides a five-year limited warranty of electrical and mechanical performance of the luminaires, including the LED boards, drivers, and auxiliary electronics. Lumenwerx will repair or replace defective luminaires or components at our discretion, provided they have been installed and operated in accordance with our specifications. Other limitations apply, please refer to the full warranty on our website.