

EVOQ SYSTEM

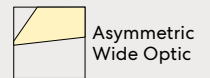
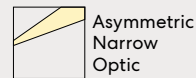
COVE LIGHTING



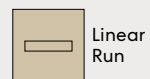
PLUG & PLAY DESIGN



2 ASYMMETRIC OPTICS



ENDLESS CONFIGURATIONS



10+ MOUNTING OPTIONS



The Evoq System



1 Specify your Fixture

2 Define your Configuration

3 Select your Mounting

EVOQ SYSTEM

COVE LIGHTING



Project: _____
Type: _____

Order Guide

A drawing of your pattern is required - anything from a line drawing to an architectural drawing.

The product code will be split into two separate lines for ordering/client drawing purposes. One line will be for the fixture, and one line for the mounting, if required.

1

LUMINAIRE ID	OPTIC	LIGHT SOURCE ¹	CRI	LUMEN PACKAGE	COLOR TEMPERATURE
EVOQLIN - Evoq Linear EVOQPAT - Evoq Pattern with straight corners	ANO - Asymmetric Narrow Optic AWO - Asymmetric Wide Optic	SW - Static white FS - Full spectrum	80CRI ³ - 80+ CRI 90CRI ³ - 90+ CRI 95CRI - 95+ CRI	350LMF - 350 lm/ft 500LMF ⁴ - 500 lm/ft 750LMF ⁵ - 750 lm/ft 1000LMF ⁶ - 1000 lm/ft 1200LMF ^{6,7} - 1200 lm/ft	22K ^{8,9} - 2200K 27K - 2700K 30K - 3000K 35K - 3500K 40K - 4000K 50K - 5000K 65K ⁹ - 6500K
EVOQCURPAT - Evoq Pattern with curved corners		SOLA ² - Dim-to-warm single channel control DUO ² - Tunable white 2-channel control	³ Not available with full spectrum.	⁴ Only available with 48" fixtures when specified with ELV/TRI. ⁵ Only available with 18" and 48" fixtures when specified with ELV/TRI. ⁶ Fixture will be very bright, not recommended for shallow coves. ⁷ Not available with full spectrum.	⁸ Not available with full spectrum. ⁹ Not available with 95+ CRI when specified with static white.
		¹ Consult factory for solid colors, such as red, green and blue. ² Not available with 12" fixtures.			SOLA / DUO ###K### - Specify the high and low CCT values (##)

VOLTAGE	DRIVER	ELECTRICAL	LEADER CABLE TYPE ¹⁷	
120V - 120V 277V - 277V UNV - 120V-277V	D1 - 1% 0-10V ELV ^{10,11} - ELV 120V TRI ^{10,11} - TRIAC 120V LDE1 ^{11,12,13} - Lutron Hi-Lume 1% Eco ¹⁰ Available with 120V only. ¹¹ Not available with 350 lm/ft. ¹² On-site commissioning is required. ¹³ Not available with 12" fixtures.	DA ^{14,12} - DALI ELD1 ¹¹ - eldoLED 1% ECOdrive 0-10V ELDO ¹¹ - eldoLED 0.1% SOLOdrive 0-10V +#EMB ^{14,15} - Emergency battery ¹⁴ Available with 48" fixtures only. ¹⁵ Specify quantity (#) and add to the driver code, e.g. D1+1EMB. Each battery powers a 48" fixture.	1C - 1 circuit #MC ¹⁶ - Multi circuit ¹⁶ Specify total number of circuits (#). Provide drawing or layout specifications.	EVLC - Evoq 10' leader cable EVLC90 - Evoq 10' leader cable 90° ¹⁷ See page 4 for details.
	SOLA SD1 - Single 0-10V input	DUO DMX ^{12,14} - DMX DDA ¹² - DALI DT6 DDA8 ¹² - DALI DT8 DD1 - Dual 0-10V input for CCT/intensity LD2 ^{11,12} - Lutron DALI-2 digital		

2

CONFIGURATION AND LENGTH ^{18,19,20}	CORNER TYPE
Linear LIN#FT - Linear, #FT	LEVIC ²⁵ - Leveled inside corner LEVOC ²⁵ - Leveled outside corner NA ²⁵ - Not applicable ²⁵ Specify NA for LIN#FT, PAT#FTX#FT, and CURPAT#FTX#FT configurations. For all other configurations, specify LEVIC or LEVOC.
Pattern with straight corners SQR#FTX#FT - Square, #FT X #FT REC#FTX#FT - Rectangle, #FT X #FT LSH#FTX#FT - L-shape, #FT X #FT USH#FTX#FTX#FT - U-shape, #FT X #FT X #FT PAT#FTX#FT... ²¹ - Pattern, specify length of each section (#FT) in feet	
Pattern with curved corners C(R##)SQR#FTX#FT ²² - Curved square, #FT X #FT C(R##)REC#FTX#FT ²² - Curved rectangle, #FT X #FT C(R##)LSH#FTX#FT ²² - Curved L-shape, #FT X #FT C(R##)USH#FTX#FTX#FT ²² - Curved U-shape, #FT X #FT X #FT CIR(D#IN) ²³ - Circle, specify diameter in inches (D#IN) ARC(R#INA##) ²⁴ - Arc, specify radius in inches (R#IN) and angle (A##) CURPAT#FTX#FT... ²¹ - Curved pattern, specify length of each section (#FT) in feet	
¹⁸ A combination of 12", 18", and 48" plug and play fixtures may be used in order to optimize uniform surface illumination. ¹⁹ See pages 5 to 6 for details. ²⁰ Length can also be specified in inches. ²¹ Separate each required section length with an "X".	²² Specify the radius in inches (R##). The minimum wall radius is 18" for an inside corner, and 13" for an outside corner. ²³ The minimum wall diameter is 53" for an inside corner, and 44" for an outside corner. ²⁴ The minimum wall radius is 27" for an inside corner, and 22" for an outside corner.

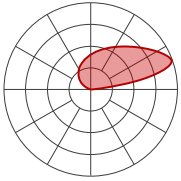
3

MOUNTING ²⁶	MOUNTING FINISH
Linear and Pattern with straight corners Mud-in FE1 - Flat edge FE2 - Flat edge with air return KE1 - Knife edge 35° WCA - Wall cove with adjustable brackets	UNF ²⁸ - Unfinished W - Matte white CF# - Custom finish, specify RAL# NA - Not applicable ²⁸ Not available with direct mount mounting options.
Direct mount DM1 - Flat edge direct mount DM2 - Flat edge direct mount with gasketed clear cover DM3 - Flat edge direct mount with adjustable brackets	
Rail for existing coves ADJ ²⁷ - Adjustable brackets with mounting rail	Pattern with curved corners Mud-in CRV1 - Curved ramp with flat edge for straight structures CRV2 - Curved ramp with flat edge for curved structures
NA - None	
²⁶ See pages 7 to 13 for details. ²⁷ For existing coves. No ramp is provided.	

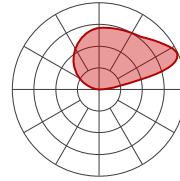


1 Fixture

OPTICS

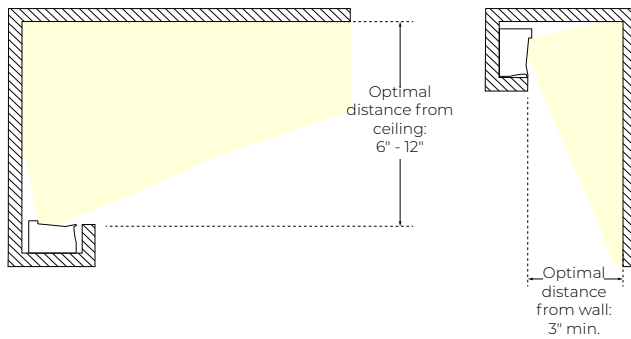


ANO

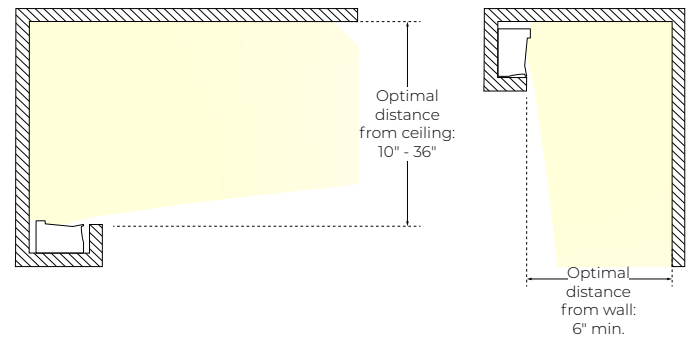


AWO

ANO - Asymmetric Narrow Optic



AWO - Asymmetric Wide Optic



PHOTOMETRICS

Values calculated based on a 12" fixture at 3500K for all optics.

STATIC WHITE
80+ CRI / 90+ CRI

LM/FT	W/FT	LM/W
350	3.4	103
500	5.6	89
750	7.7	97
1000	9.8	102
1200	11.5	104

STATIC WHITE
95+ CRI

LM/FT	W/FT	LM/W
350	4.1	85
500	6.7	75
750	9.3	81
1000	11.8	85
1200	13.9	104

FULL SPECTRUM

LM/FT	W/FT	LM/W
350	5.1	69
500	8.3	60
750	11.5	65
1000	14.6	68
1200	17.2	70

SOLA/DUO

LM/FT	W/FT	LM/W
350	3.5	100
500	5.7	88
750	7.9	95
1000	10.1	99
1200	11.8	102

MULTIPLIER TABLE

Use this table to get results for different color temperatures.

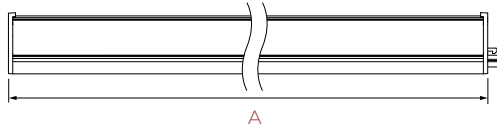
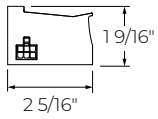
CCT	WATTS		
	80+ CRI/	90+ CRI/	95+ CRI
2200K			1.03
2700K			1.02
3000K			1.00
3500K			1.00
4000K			0.97
5000K			0.97
6500K			0.99

EVOQ SYSTEM

COVE LIGHTING

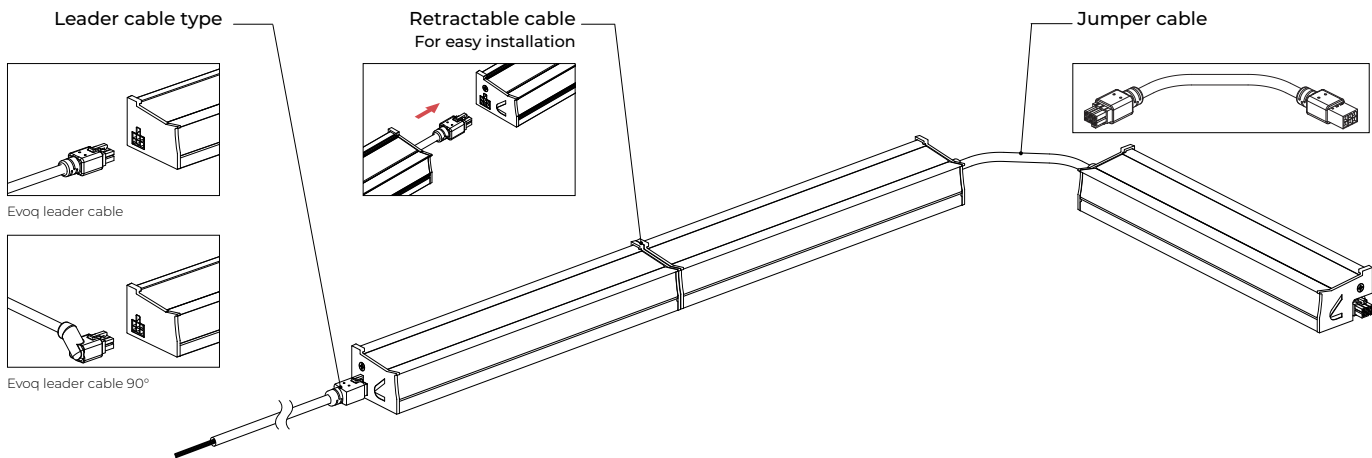


FIXTURE DIMENSIONS



NOMINAL LENGTH	A TOTAL LENGTH
12 IN	12 1/4"
18 IN	18 1/4"
48 IN	48 1/4"

OVERVIEW

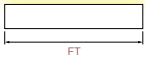


Maximum run length per leader cable

	350 lm/ft		500 lm/ft		750 lm/ft		1000 lm/ft		1200 lm/ft	
	120V / UNV	277V	120V / UNV	277V	120V / UNV	277V	120V / UNV	277V	120V / UNV	277V
Static white - 80+ CRI/ 90+ CRI	200'	200'	120'	200'	90'	200'	70'	160'	60'	140'
Static white - 95+ CRI	170'	200'	100'	200'	70'	170'	60'	140'	50'	110'
Full spectrum	140'	200'	80'	200'	60'	140'	40'	110'	NA	NA
SOLA/DUO	200'	200'	120'	200'	90'	200'	70'	160'	60'	140'

2 Configuration

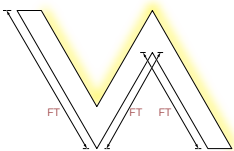
LINEAR



LIN#FT - Linear, #FT

PATTERN WITH STRAIGHT CORNERS

PATTERN



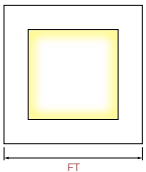
PAT#FTX#FT^{1,2} -

Pattern, specify length of each section (#FT) in feet

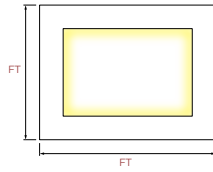
¹A drawing of your pattern is required - anything from a line drawing to an architectural drawing.

²Length can also be specified in inches.

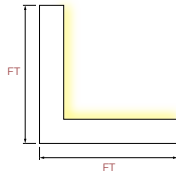
SHAPES WITH INSIDE CORNERS



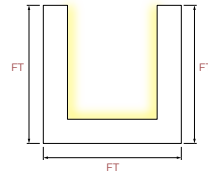
SQR#FTX#FT -
Square, #FT X #FT



REC#FTX#FT -
Rectangle, #FT X #FT

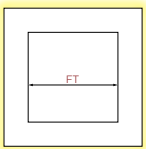


LSH#FTX#FT -
L-shape, #FT X #FT

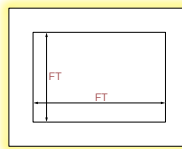


USH#FTX#FTX#FT -
U-shape, #FT X #FT X #FT

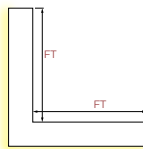
SHAPES WITH OUTSIDE CORNERS



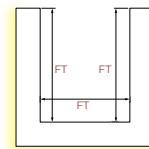
SQR#FTX#FT -
Square, #FT X #FT



REC#FTX#FT -
Rectangle, #FT X #FT



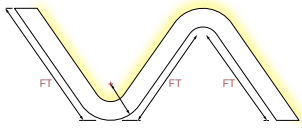
LSH#FTX#FT -
L-shape, #FT X #FT



USH#FTX#FTX#FT -
U-shape, #FT X #FT X #FT

PATTERN WITH CURVED CORNERS

PATTERN



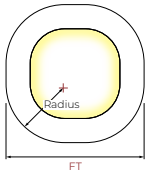
CURPAT#FTX#FT^{1,2} -

Pattern, specify length of each section (#FT) in feet

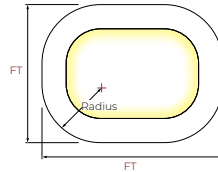
¹A drawing of your pattern is required - anything from a line drawing to an architectural drawing.

²Length can also be specified in inches.

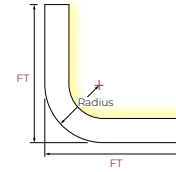
SHAPES WITH INSIDE CORNERS



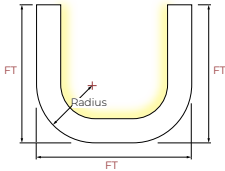
C(R##)SQR#FTX#FT -
Curved square, #FT X #FT



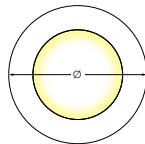
C(R##)REC#FTX#FT -
Curved rectangle, #FT X #FT



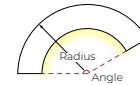
C(R##)LSH#FTX#FT -
Curved L-shape, #FT X #FT



C(R##)USH#FTX#FTX#FT -
Curved U-shape, #FT X #FT X #FT

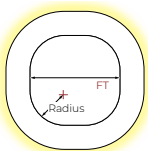


CIR(D#IN) - Circle, specify diameter in inches (D#IN)

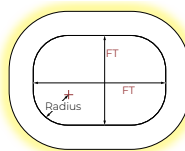


ARC(R#INA##) - Arc, specify radius in inches (R#IN) and angle (A##)

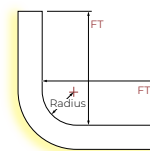
SHAPES WITH OUTSIDE CORNERS



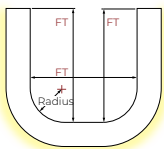
C(R##)SQR#FTX#FT -
Curved square, #FT X #FT



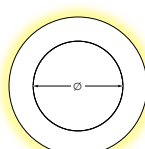
C(R##)REC#FTX#FT -
Curved rectangle, #FT X #FT



C(R##)LSH#FTX#FT -
Curved L-shape, #FT X #FT



C(R##)USH#FTX#FTX#FT -
Curved U-shape, #FT X #FT X #FT



CIR(D#IN) - Circle, specify diameter in inches (D#IN)



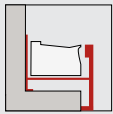
ARC(R#INA##) - Arc, specify radius in inches (R#IN) and angle (A##)

3 Mounting

Mud-in

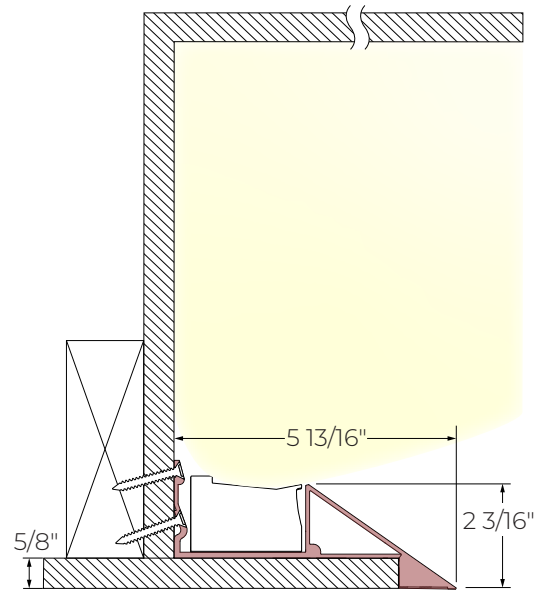
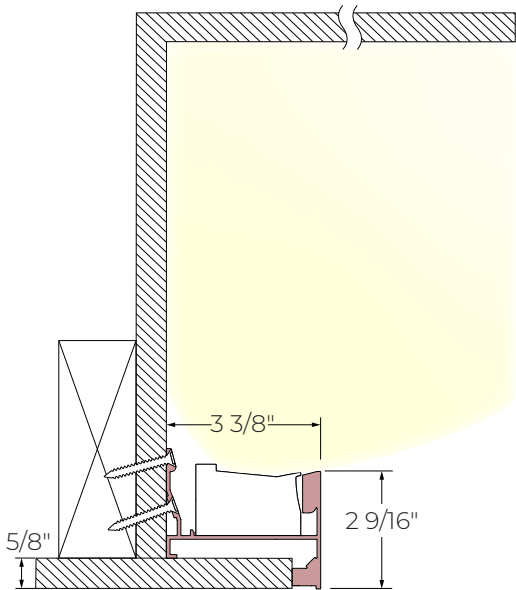
6 RAMP OPTIONS

Evoq Mud-in ramps serve as prebuilt cove structures. They are factory-built and field-cuttable. They require plastering and painting. The ramps come in 8' sections with integrated alignment joiners and pins for an uninterrupted cove finish.



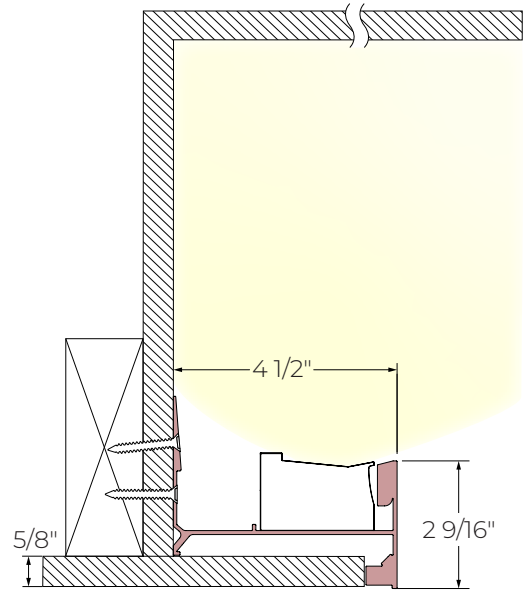
FE1 - Flat edge mount ramp

KE1 - Knife edge mount ramp

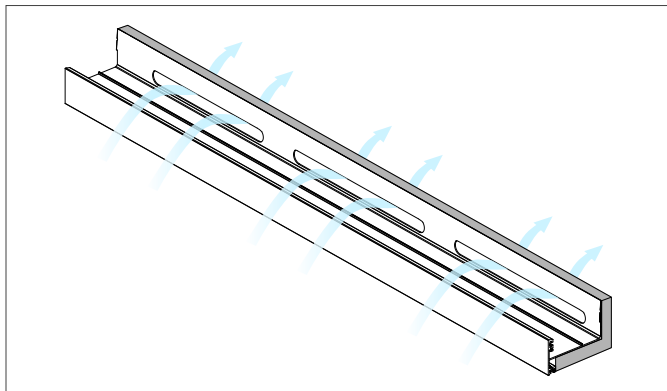
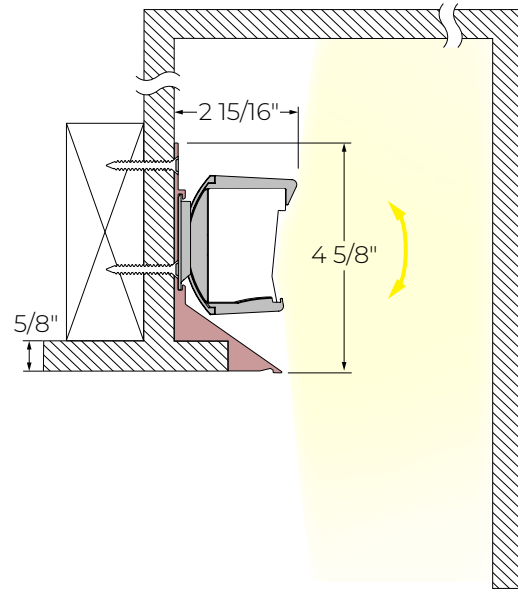


Mud-In Mounting

FE2 - Flat edge with air return



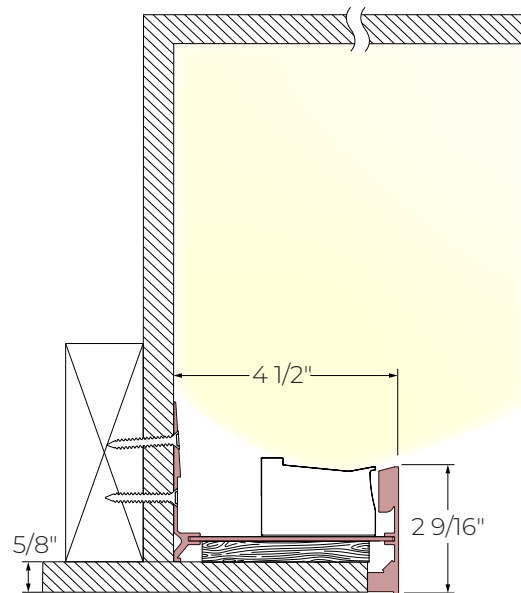
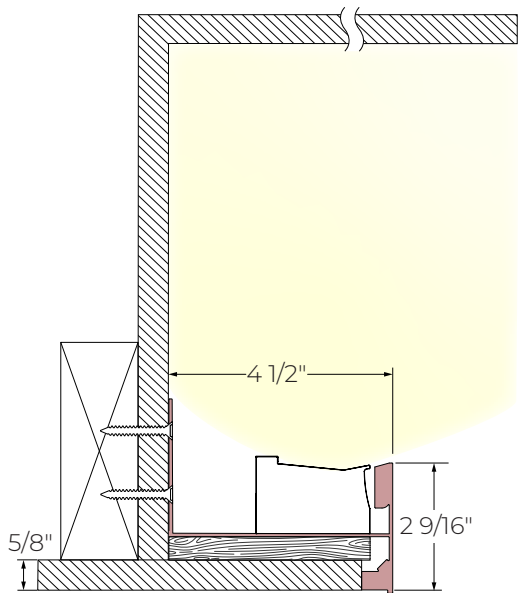
WCA - Wall cove with adjustable brackets



Mud-In Mounting

CRV1 - Curved ramp with flat edge for straight structures

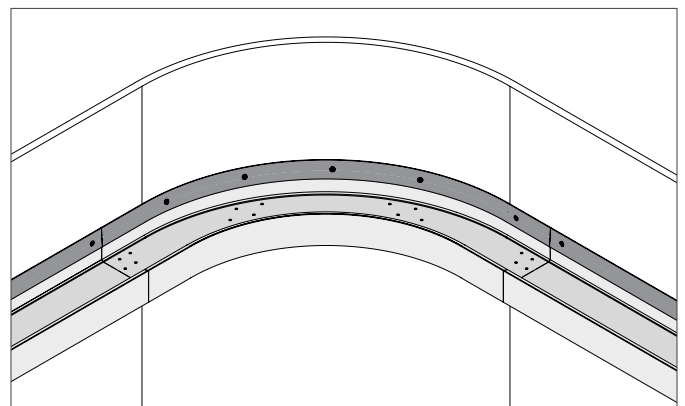
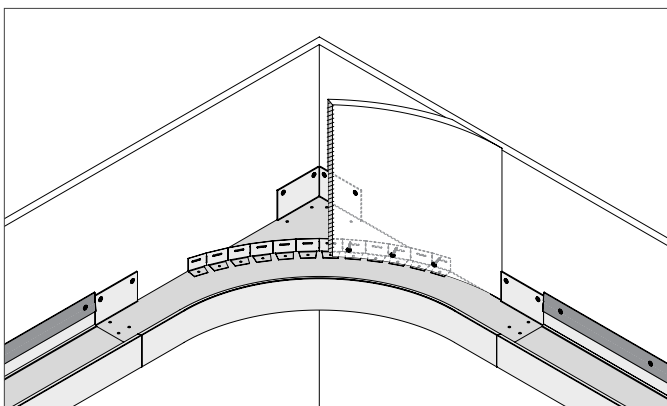
CRV2 - Curved ramp with flat edge for curved structures



Pattern
Curved
Corners



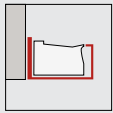
Pattern
Curved
Corners



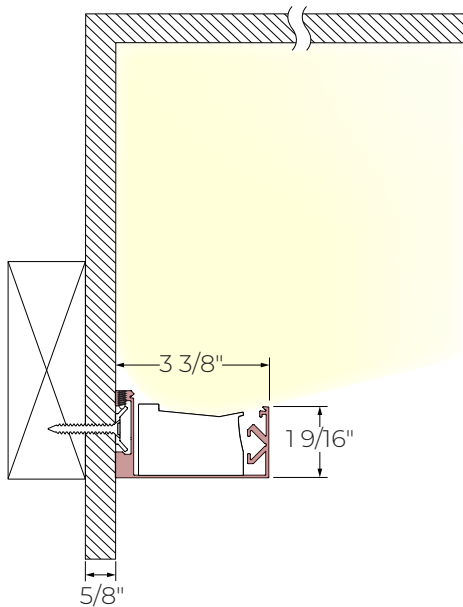
Direct Mount

3 RAMP OPTIONS

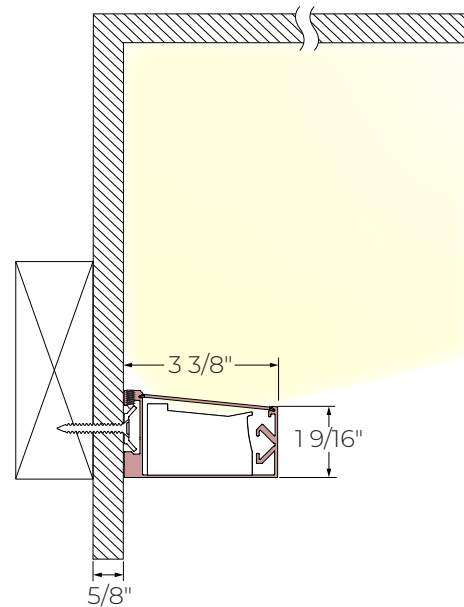
Evoq Direct Mount ramps offer prebuilt, finished architectural cove profiles, eliminating the need for plastering and painting. They are field-cutttable for precision fitting and available in 8' sections with integrated alignment joiners and pins for an uninterrupted cove finish.



DM1 - Flat edge direct mount

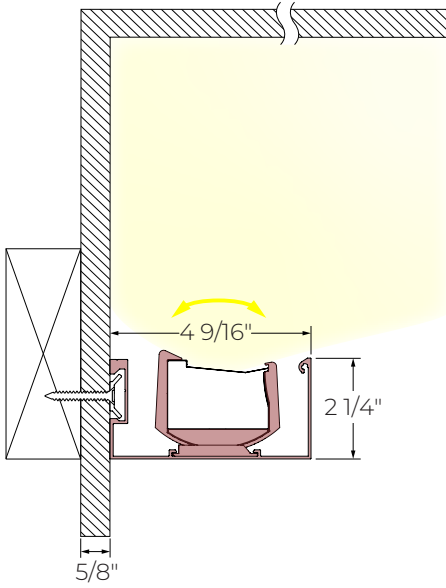


DM2 - Flat edge direct mount with gasketed clear cover



Direct Mount Mounting

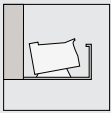
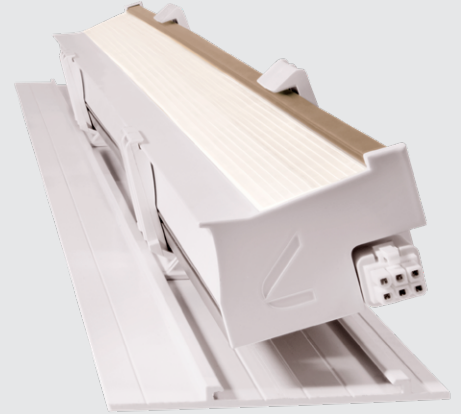
DM3 - Flat edge direct mount with adjustable brackets



Additional Options

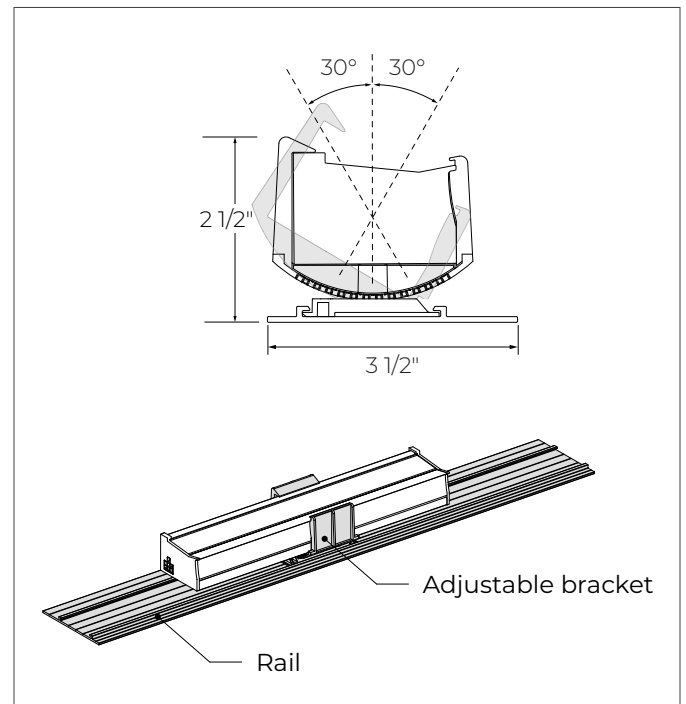
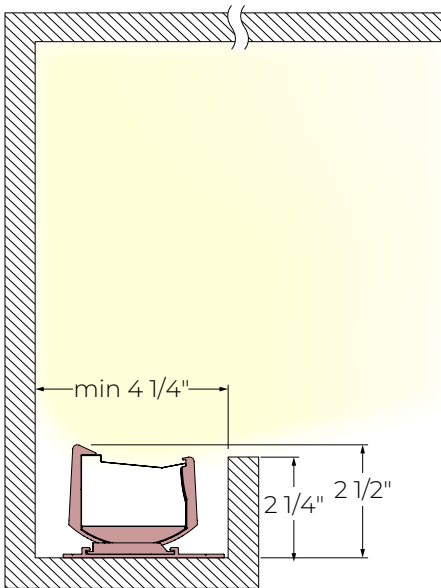
(COVE BY OTHERS)

Evoq fixtures can be integrated into existing coves as standalone fixtures (NA) or by using the Adjustable Brackets with Mounting Rail option (ADJ).



ADJ - Adjustable brackets with mounting rail

Rail for existing coves

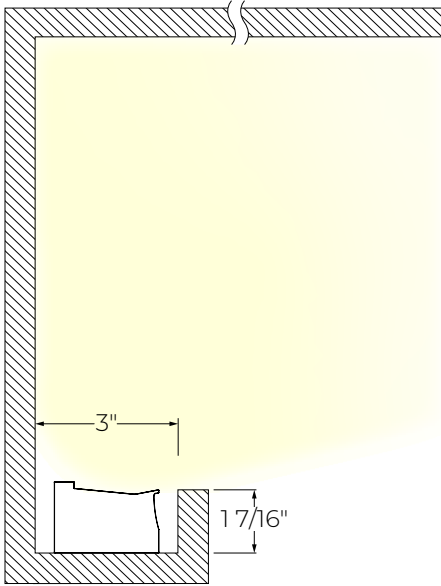


Additional Options

NA - Fixture only

Recommended cove dimensions

Cove with straight corners

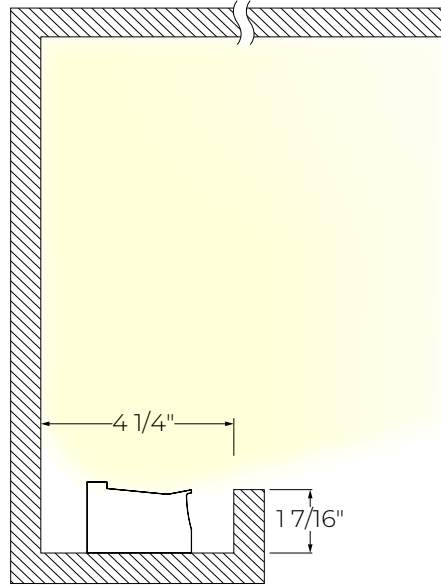


Linear Run



Pattern Straight Corners

Cove with curved corners



Pattern Curved Corners

Technical Specifications

OPTICS

Asymmetric Narrow Optic (ANO)

The Asymmetric Narrow Optic (ANO) is designed specifically for shallow coves with optimal performance achieved with fixture placement at 6"-12" from the ceiling. Its precise projection of light along ceilings and walls is evenly distributed with a soft, homogeneous gradient effect. The ANO peak intensity angle from nadir is at 110°, making it a true asymmetric optic that directs the light where it is intended.

Asymmetric Wide Optic (AWO)

The Asymmetric Wide Optic (AWO) excels at maximizing light projection even farther to create a soft gradient illumination with remarkable uniformity in deeper coves. The AWO's optimal performance is achieved with fixture placement at 10"-36" from the ceiling. Its peak intensity angle from nadir is at 107°, creating a true asymmetric optic that aims light exactly where needed.

LIGHT SOURCE

Static white

Custom linear array of mid-flux LEDs available in 2200K, 2700K, 3000K, 3500K, 4000K, 5000K, and 6500K with a minimum 80+ CRI and options for 90+ CRI and 95+ CRI with elevated R9 value. Color consistency maintained to within 3 SDCM. All LEDs have been tested in accordance with IESNA LM-80-08 and the results have shown L80 lumen maintenance greater than 60,000 hours. Absolute product photometry is measured and presented in accordance with IESNA LM-79, unless otherwise indicated.

Full spectrum

The full spectrum LED option offers improved color particularly in the cyan region which helps increase Cyanosis Observation Index (COI) and assist in regulating circadian rhythms. The cyan region in full spectrum LED is richer at the 480 nm range.

Chromawerx SOLA

Chromawerx SOLA is single-channel control that dims output while warming the color temperature in a pre-determined relationship. The color temperature range can be specified from the following options: 2200K, 2700K, 3000K, 3500K, 4000K, 5000K, and 6500K. A simple analog control adjusts a specially populated LED array to emulate the effect of dimming a filament source.

Chromawerx DUO

Chromawerx DUO offers a two-channel control system which uses analog or digital protocols for synchronous control of both cool to warm LED arrays - maintaining a CRI above 90. The color temperature range can be specified from the following options: 2200K, 2700K, 3000K, 3500K, 4000K, 5000K, and 6500K. The range of color DUO offers is useful for entraining circadian rhythms, stimulating alertness, and compensating for jet lag among other applications. The Chromawerx drivers are programmed to limit maximum light output and power usage across all color temperatures. When paired with DALI drivers (DDA/DDA8), color tuning follows a linear dimming curve.

CONFIGURATION AND LENGTH

Evoq System is available as a linear run, pattern with straight corners, or pattern with curved corners. Common shapes, such as square, rectangle, L-shape, U-shape, circles, and arcs are available with either inside corners or outside corners. Other patterns can also be specified.

ELECTRICAL

Factory-set, adjustable output current LED driver with universal (120-277 VAC) input. Dimmable from 100% to 1% with 0-10V dimming control. Rated life (90% survivorship) of 50,000 hours at 50°C max. ambient (and 70°C max. case) temperature. At maximum driver load: Efficiency>84%, PF>0.9, THD<20%. Other specifiable options include ELV, TRIAC, Lutron Hi-Lume 1% Eco, DALI, eldoLED 1% ECOdrive 0-10V, eldoLED 0.1% SOLOdrive 0-10V, DMX, and Lutron DALI-2 digital protocol drivers. All of our standard 0-10V drivers are NEMA 410 compliant.

Battery

Each emergency battery (#EMB) powers a 48" fixture. Specify the number of batteries (#) required.

Factory installed long life, high temperature, maintenance-free Lithium-Ion battery pack with self-test functionality, test switch and charge indicator. Minimum of 90 minutes operation, up to 1000 lumens per 4' (25°C) emergency lighting output and recharge time of 24 hours.

MOUNTING

Evoq System can be mounted with mud-in or direct mount ramps. The Evoq fixtures can also be used in pre-existing coves either as standalone luminaires or installed with adjustable mounting brackets and rail.

FINISH

Mud-in: Unfinished, matte white, or custom finish

Direct mount: Matte white or custom finish

EVOQ SYSTEM

COVE LIGHTING



CONSTRUCTION

Housing: Extruded aluminum

Ramp: Extruded aluminum

Lens: Acrylic

WEIGHT

Fixture:

12": 1.5 lbs - 0.68 kg

18": 2.1 lbs - 0.95 kg

48": 4.3 lbs - 1.95 kg

Ramp:

FE1: 1.6 lbs/ft - 0.72 kg/ft

FE2: 1.7 lbs/ft - 0.76 kg/ft

KE1: 1.8 lbs/ft - 0.83 kg/ft

WW1: 1.0 lbs/ft - 0.45 kg/ft

DM1: 1.0 lbs/ft - 0.45 kg/ft

DM2: 1.1 lbs/ft - 0.50 kg/ft

DM3: 1.1 lbs/ft - 0.50 kg/ft

CRV1: 0.4 lbs/ft - 0.20 kg/ft

CRV2: 0.7 lbs/ft - 0.30 kg/ft

ADJ: 0.4 lbs/ft - 0.20 kg/ft

CERTIFICATIONS

ETL: Rated for indoor dry/damp locations. Conforms to UL Standard 1598 and certified to CAN/CSA Standard C22.2 No. 250.0.

Declare: [LBC Red List Approved](#)

WARRANTY

Lumenwerx provides a five-year limited warranty of electrical and mechanical performance of the luminaires, including the LED boards, drivers, and auxiliary electronics. Lumenwerx will repair or replace defective luminaires or components at our discretion, provided they have been installed and operated in accordance with our specifications. Other limitations apply, please refer to the full warranty on our website.