


FLAIR


Pendant - Deep Round Canopy

LUMENWERX

 This product must be installed in accordance with the National Electrical Code and all applicable local codes, by a person familiar with the construction and operation of the product, and the hazards involved. Proper grounding is required for safety.

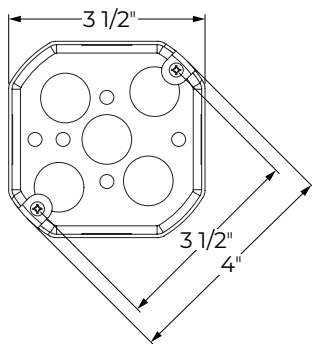
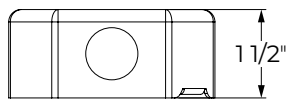
Ce produit doit être installé suivant le code national de l'électricité, ainsi que tous les codes locaux applicables, par une personne familière avec la construction et le fonctionnement du produit, ainsi que tous les risques qui y sont associés. La mise à terre électrique est obligatoire pour la sécurité.

 Wire dimming conductors as Class 1.

 For electrical connections, follow the wiring diagrams on page [3](#) and [4](#) according to specified drivers in product configuration.

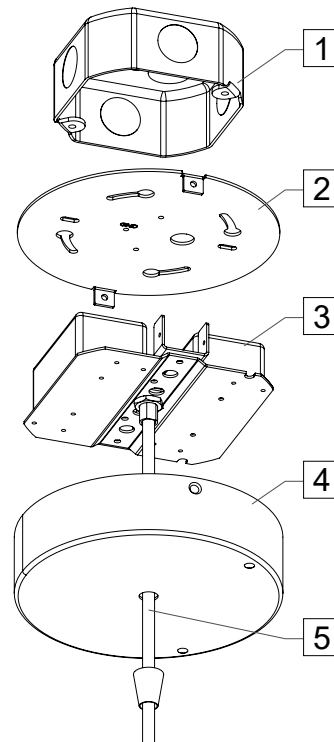
OVERVIEW

Junction box (by others)

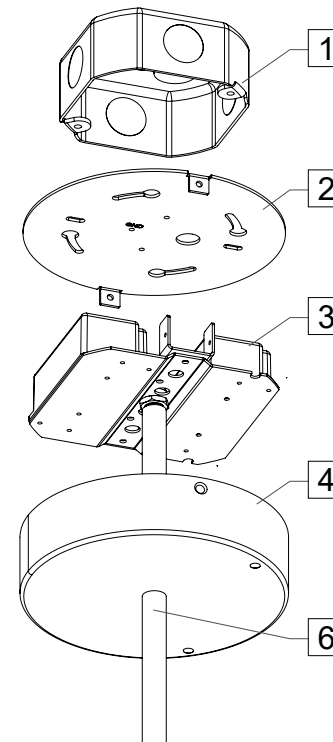


Standard 4" octagonal junction box

Power cord



Stem




Items list

1	Standard J-box (by others)
2	Mounting plate
3	Driver bracket
4	Deep round canopy
5	Cable
6	Stem

Tool required

- Philips screwdriver

 Shown with power cord and also applies to stem.

POWER CORD

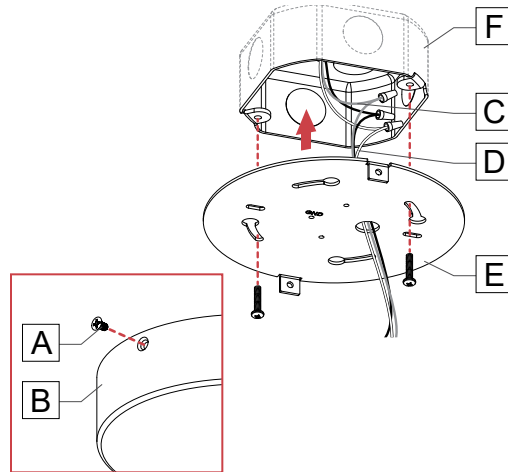
1 MAKE ELECTRICAL CONNECTIONS AND FIX MOUNTING PLATE.

Remove screws [A] from the canopy assembly [B].

Make electrical connections between the main power [C] and the driver [D] using wire nuts (by others).

Mount and turn the mounting plate [E] to place on the junction box [F].

Tighten screws to secure the mounting plate [E] to the junction box.

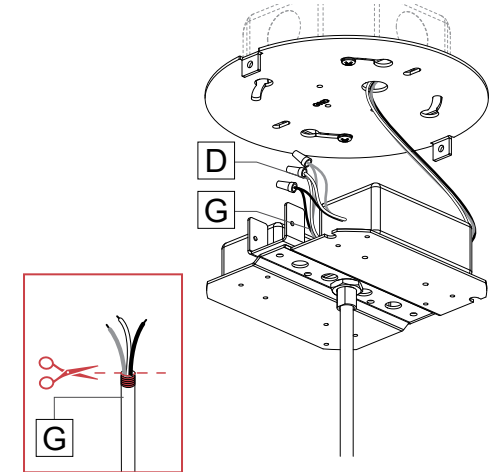


2 MAKE ELECTRICAL CONNECTIONS.

Adjust the cable length by cutting and stripping the fixture cable [G] to the desired length for the height of the fixture.

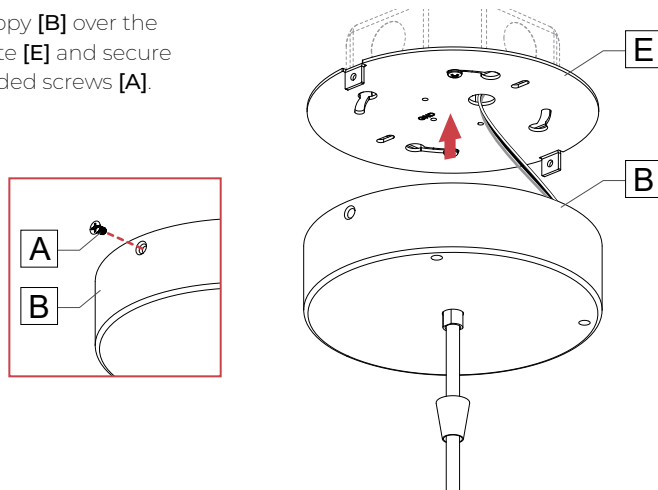
Make electrical connections between the driver [D] and the fixture cable [G] using wire nuts (by others).

Warning: A luminaire with more than one power supply connection means shall be connected to only one branch circuit.



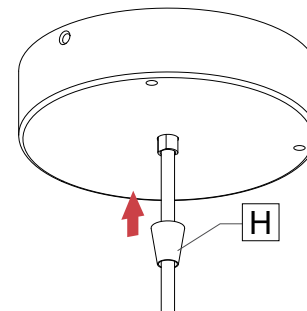
3 MOUNT CANOPY.

Place the canopy [B] over the mounting plate [E] and secure with the provided screws [A].



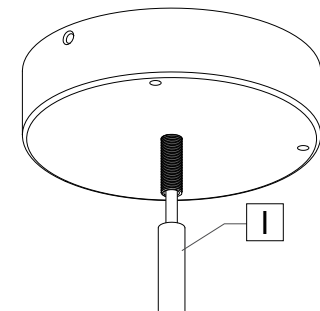
Cable

Tighten the tapered nut [H].



Stem

Mount the stem [I] on the threaded nipple.



FLAIR

Pendant - Deep Round Canopy

LUMENWERX

WIRING DIAGRAMS (1 Circuit)

For electrical connections, follow the wiring diagrams according to specified drivers in product configuration.

INTEGRAL DRIVER - STATIC WHITE, SOLA

D1 / SD1		ELV / TRI / SELV / STRI																	
<table border="1" style="width: 100%; border-collapse: collapse;"> <tr><td>BLACK</td><td>HOT</td></tr> <tr><td>WHITE</td><td>NEUTRAL</td></tr> <tr><td>GREEN</td><td>GROUND</td></tr> <tr><td>PURPLE</td><td>DIM (+) 0-10V</td></tr> <tr><td>PINK or GRAY</td><td>DIM (-) 0-10V</td></tr> </table>	BLACK	HOT	WHITE	NEUTRAL	GREEN	GROUND	PURPLE	DIM (+) 0-10V	PINK or GRAY	DIM (-) 0-10V		<table border="1" style="width: 100%; border-collapse: collapse;"> <tr><td>BLACK</td><td>HOT</td></tr> <tr><td>WHITE</td><td>NEUTRAL</td></tr> <tr><td>GREEN</td><td>GROUND</td></tr> </table> <p>Note: 120V max input voltage</p>	BLACK	HOT	WHITE	NEUTRAL	GREEN	GROUND	
BLACK	HOT																		
WHITE	NEUTRAL																		
GREEN	GROUND																		
PURPLE	DIM (+) 0-10V																		
PINK or GRAY	DIM (-) 0-10V																		
BLACK	HOT																		
WHITE	NEUTRAL																		
GREEN	GROUND																		

REMOTE DRIVER - STATIC WHITE, SOLA

RDA		RD1 / RELD1 / RELD0 / RSD1															
<table border="1" style="width: 100%; border-collapse: collapse;"> <tr><td>RED</td><td>LED (+)</td></tr> <tr><td>BLUE</td><td>LED (-)</td></tr> </table> <p>Note: For remote driver wiring in the remote driver box (RDB), refer to the applicable driver wiring.</p> <p>For max wire distance from driver, please check our website: WWW.LUMENWERX.COM</p>	RED	LED (+)	BLUE	LED (-)		<table border="1" style="width: 100%; border-collapse: collapse;"> <tr><td>BLACK</td><td>HOT</td></tr> <tr><td>WHITE</td><td>NEUTRAL</td></tr> <tr><td>GREEN</td><td>GROUND</td></tr> <tr><td>PURPLE</td><td>DIM (+) 0-10V</td></tr> <tr><td>PINK or GRAY</td><td>DIM (-) 0-10V</td></tr> </table>	BLACK	HOT	WHITE	NEUTRAL	GREEN	GROUND	PURPLE	DIM (+) 0-10V	PINK or GRAY	DIM (-) 0-10V	
RED	LED (+)																
BLUE	LED (-)																
BLACK	HOT																
WHITE	NEUTRAL																
GREEN	GROUND																
PURPLE	DIM (+) 0-10V																
PINK or GRAY	DIM (-) 0-10V																

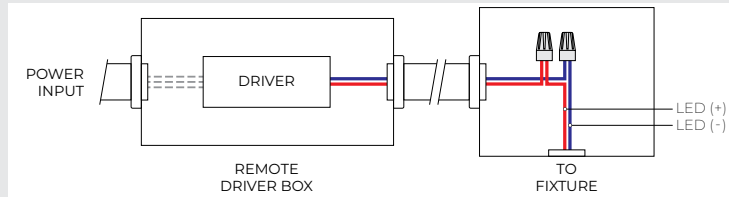
RLTEA2W / RELV / RTRI / RSELV / RSTRI		RLDE1																	
<table border="1" style="width: 100%; border-collapse: collapse;"> <tr><td>BLACK</td><td>HOT</td></tr> <tr><td>WHITE</td><td>NEUTRAL</td></tr> <tr><td>GREEN</td><td>GROUND</td></tr> </table> <p>Note: 120V max input voltage</p>	BLACK	HOT	WHITE	NEUTRAL	GREEN	GROUND		<table border="1" style="width: 100%; border-collapse: collapse;"> <tr><td>BLACK</td><td>HOT</td></tr> <tr><td>WHITE</td><td>NEUTRAL</td></tr> <tr><td>GREEN</td><td>GROUND</td></tr> <tr><td>PURPLE</td><td>E1 TO ECOSYSTEM</td></tr> <tr><td>PINK or GRAY</td><td>E2 DIGITAL LINK</td></tr> </table>	BLACK	HOT	WHITE	NEUTRAL	GREEN	GROUND	PURPLE	E1 TO ECOSYSTEM	PINK or GRAY	E2 DIGITAL LINK	
BLACK	HOT																		
WHITE	NEUTRAL																		
GREEN	GROUND																		
BLACK	HOT																		
WHITE	NEUTRAL																		
GREEN	GROUND																		
PURPLE	E1 TO ECOSYSTEM																		
PINK or GRAY	E2 DIGITAL LINK																		

REMOTE DRIVER - DUO

RED	LED (+)
BLUE	LED (-)

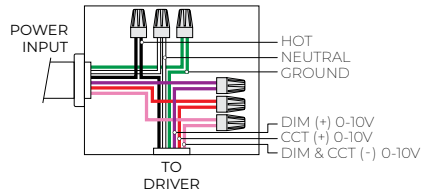
Note:
For remote driver wiring in the remote driver box (RDB), refer to the applicable driver wiring.

For max wire distance from driver, please check our website: WWW.LUMENWERX.COM



RDD1

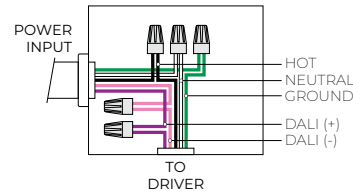
BLACK	HOT
WHITE	NEUTRAL
GREEN	GROUND
PURPLE	DIM (+) 0-10V
RED	CCT (+) 0-10V
PINK or GRAY	DIM & CCT (-) 0-10V



Note:
Common negative for dimming & CCT

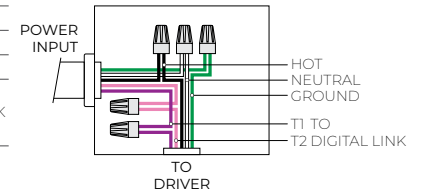
RDDA / RDDA8

BLACK	HOT
WHITE	NEUTRAL
GREEN	GROUND
PURPLE	DALI (+)
PINK or GRAY	DALI (-)



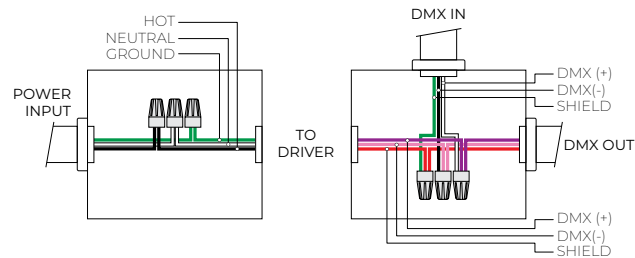
RPSQ0

BLACK	HOT
WHITE	NEUTRAL
GREEN	GROUND
PURPLE	T1 TO T2 DIGITAL LINK
PINK or GRAY	T1 TO T2 DIGITAL LINK



RDMX

BLACK	HOT
WHITE	NEUTRAL
GREEN	GROUND
WHITE	DMX (+)
BLACK	DMX (-)
GREEN	SHIELD
PURPLE	DMX (+)
PINK or GRAY	DMX (-)
RED	SHIELD



Note:
- Must follow DMX wiring architecture
- Use low capacitance wiring for DMX network