



FLAIR


Pendant - Flat Canopy

LUMENWERX

 This product must be installed in accordance with the National Electrical Code and all applicable local codes, by a person familiar with the construction and operation of the product, and the hazards involved. Proper grounding is required for safety.

Ce produit doit être installé suivant le code national de l'électricité, ainsi que tous les codes locaux applicables, par une personne familière avec la construction et le fonctionnement du produit, ainsi que tous les risques qui y sont associés. La mise à terre électrique est obligatoire pour la sécurité.

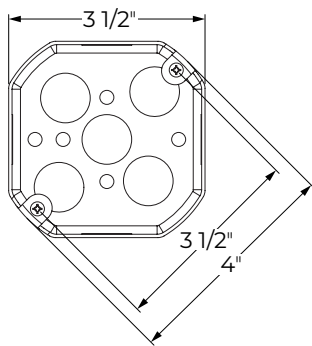
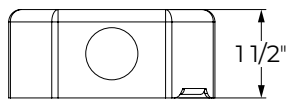
 Wire dimming conductors as Class 1.

 For electrical connections, follow the wiring diagrams on page 8 and 9 according to specified drivers in product configuration.

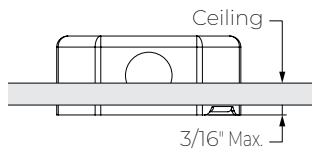
OVERVIEW (Flat Canopy with Standard Junction Box)

See pages 6 to 7 for Deep Junction Box installation instructions

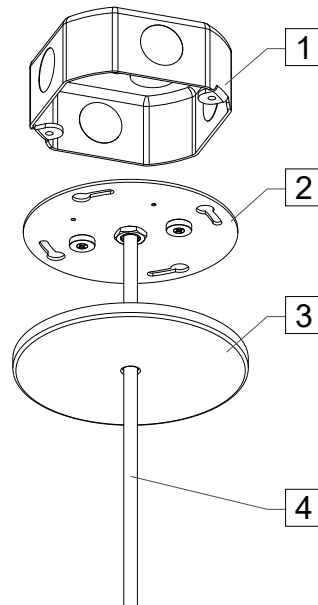
Junction box (by others)



Standard 4" octagonal junction box



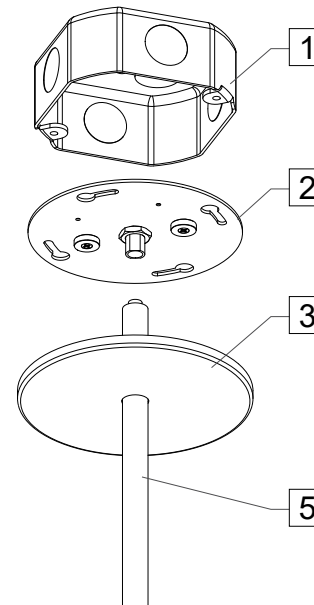
Power cord



Items list

1	Standard J-box (by others)
2	Mounting plate
3	Flat canopy
4	Cable
5	Stem
6	Swivel stem ball

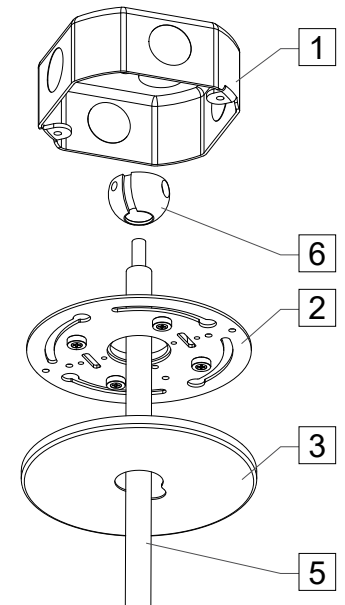
Stem




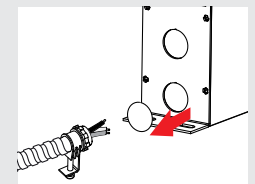
Tools required

- Philips screwdriver
- 3/16" drill bit (for swivel stem)

Swivel stem



 For remote driver box, please refer to the [remote driver installation sheet](#) for more information.



FLAIR

Pendant - Flat Canopy

LUMENWERX

POWER CORD

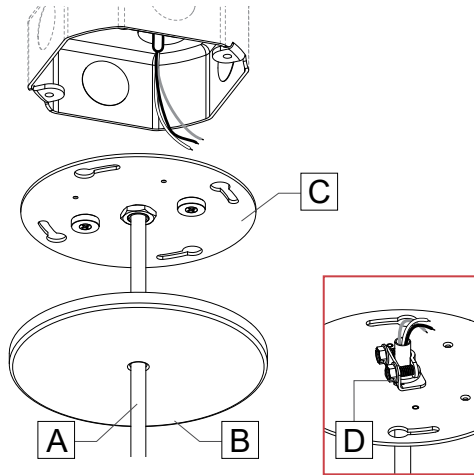
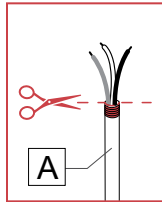
Flat Canopy with Standard Junction Box

1 INSTALL POWER CORD.

Adjust the cable length by cutting and stripping the fixture cable [A] to the desired length for the height of the fixture.

Pass the cable [A] through the canopy [B] and the mounting plate [C].

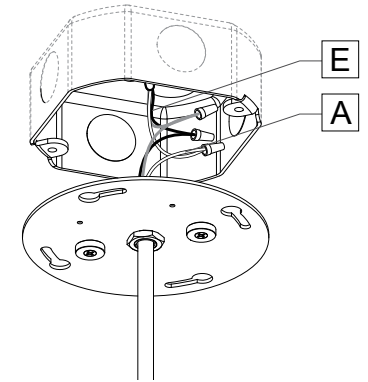
Tighten the cord grip [D].



2 MAKE ELECTRICAL CONNECTIONS.

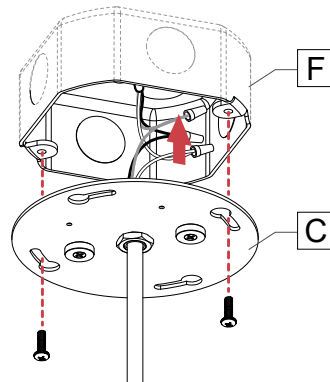
Make electrical connections between the fixture cable [A] and the main power [E] using wire nuts (by others).

Warning: A luminaire with more than one power supply connection means shall be connected to only one branch circuit.



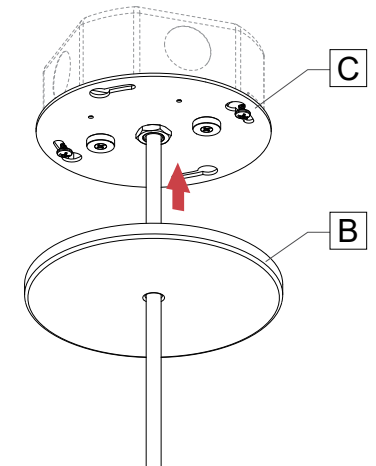
3 FIX MOUNTING PLATE.

Mount and turn the mounting plate [C] to place on the junction box [F]. Tighten screws to secure the mounting plate [C] to the junction box.



4 MOUNT CANOPY.

Cover the mounting plate [C] with the canopy [B] under the provided magnets.



FLAIR

Pendant - Flat Canopy

LUMENWERX

STEM

Flat Canopy with Standard Junction Box

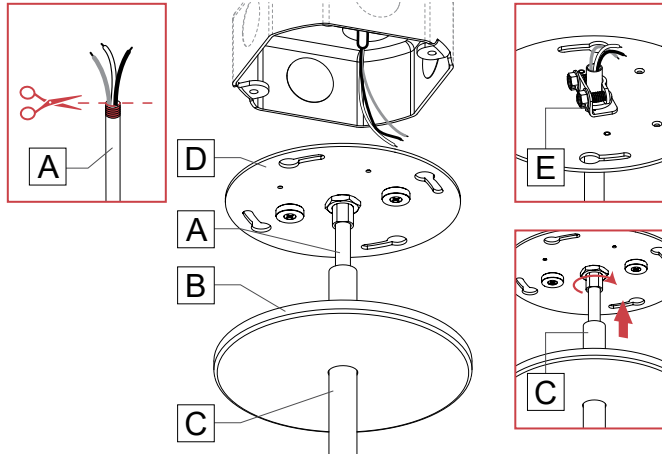
1 INSTALL POWER CORD AND STEM.

Adjust the cable length by cutting and stripping the fixture cable [A] to the desired length for the height of the fixture.

Slide the canopy [B] over the stem [C] and pass the cable [A] through the stem and the mounting plate [D].

Tighten the cord grip [E].

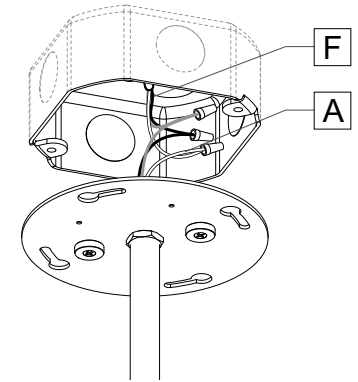
Mount the stem [C] on the threaded nipple.



2 MAKE ELECTRICAL CONNECTIONS.

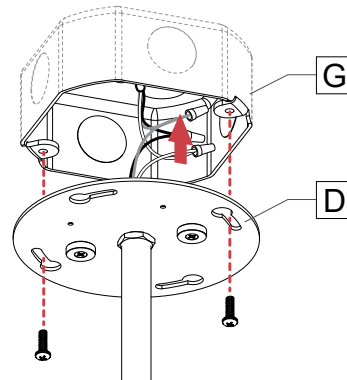
Make electrical connections between the fixture cable [A] and the main power [F] using wire nuts (by others).

Warning: A luminaire with more than one power supply connection means shall be connected to only one branch circuit.



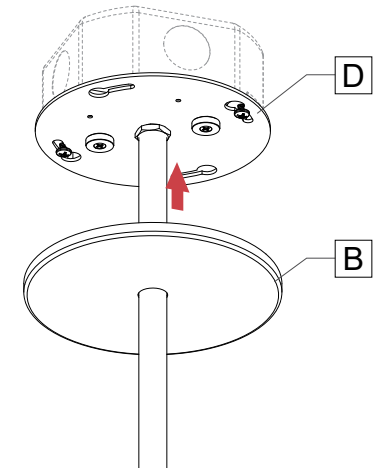
3 FIX MOUNTING PLATE.

Mount and turn the mounting plate [D] to place on the junction box [G]. Tighten screws to secure the mounting plate [D] to the junction box.



4 MOUNT CANOPY.

Cover the mounting plate [D] with the canopy [B] under the provided magnets.



FLAIR

Pendant - Flat Canopy

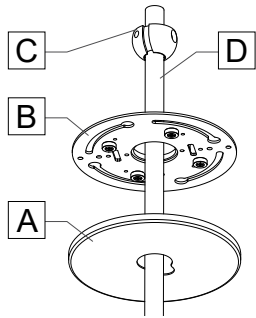
LUMENWERX

Flat Canopy with Standard Junction Box

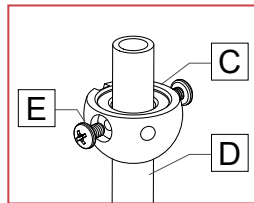
SWIVEL STEM

1 ADJUST CABLE/STEM LENGTH.

Slide the canopy [A], the mounting plate [B] and the swivel ball [C] over the stem [D].

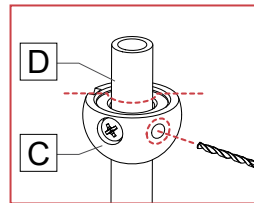


Adjust the stem [D] to the desired length for the height of the fixture. Position the swivel ball [C] at the level of desired stem length. Lock the swivel ball using the set screws [E].

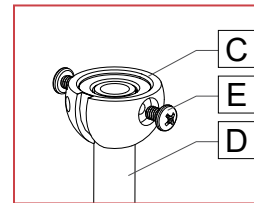


Drill a hole through both sides of stem [D].

Cut off the excess stem length (above the swivel ball [C]).

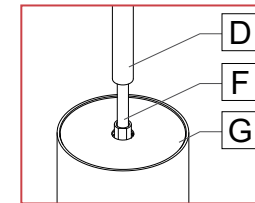


Loosen the set screws [E] and align the swivel ball [C] to the new holes. Tighten the set screws [E] to lock the stem [D].

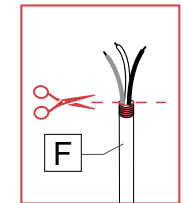


Pass the cable [F] through the stem [D].

Tighten the stem [D] on the top plate [G] of the cylinder.



Adjust the cable length by cutting and stripping the fixture cable [F] to the desired length for the height of the fixture. Remove any excess cable length.

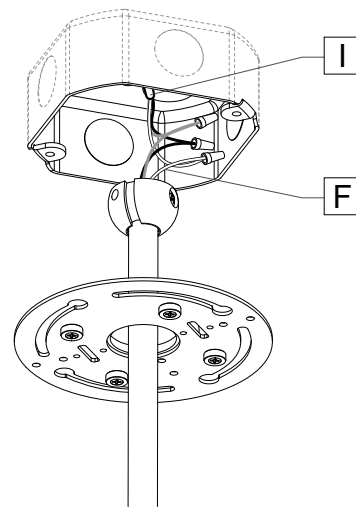
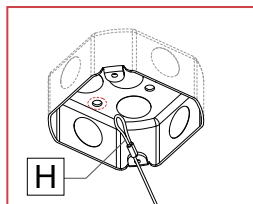


2 MAKE ELECTRICAL CONNECTIONS.

Fix the safety cable [H] onto the junction box.

Make electrical connections between the fixture cable [F] and the main power [I] using wire nuts (by others).

Warning: A luminaire with more than one power supply connection means shall be connected to only one branch circuit.

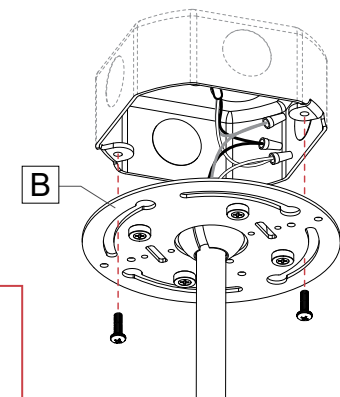
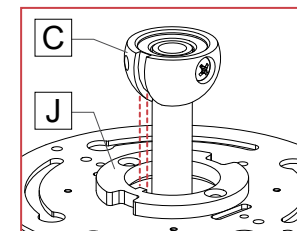


3 FIX MOUNTING PLATE.

Place the swivel ball [C] on the swivel bracket adaptor [J].

Note: Make sure the swivel ball is align with the swivel bracket adaptor.

Fix the mounting plate [B] onto the junction box using screws.



FLAIR

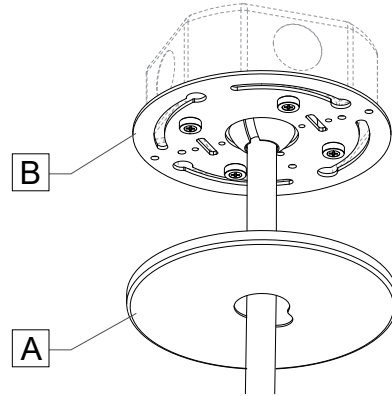
Pendant - Flat Canopy

LUMENWERX

4 MOUNT CANOPY.

Flat Canopy with Standard Junction Box

Cover the mounting plate [B] with the canopy [A] under the provided magnets.



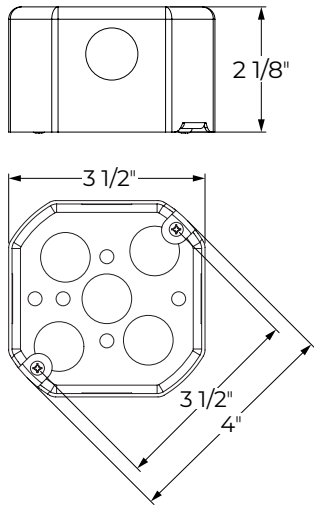
FLAIR

Pendant - Flat Canopy

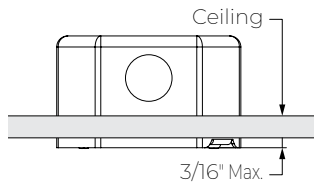
OVERVIEW (Flat Canopy with Deep Junction Box)

See pages [1 to 5](#) for Standard Junction Box installation instructions

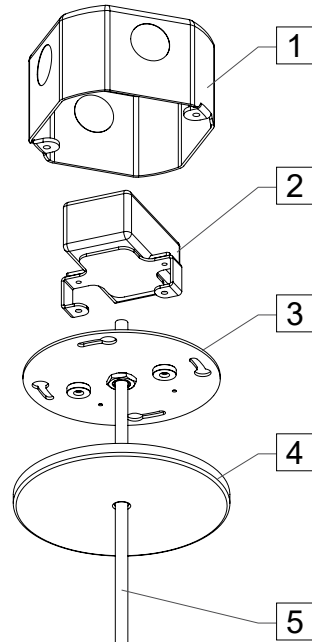
Junction box (by others)



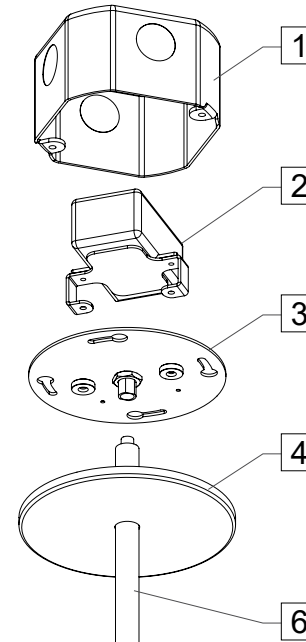
Deep 4" octagonal junction box



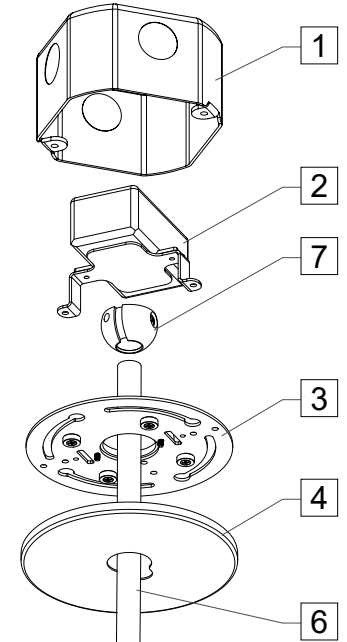
Power cord



Stem



Swivel stem



Items list

1	Deep J-box (by others)
2	Driver bracket
3	Mounting plate
4	Flat canopy
5	Cable
6	Stem
7	Swivel stem ball

Tools required

- Philips screwdriver
- 3/16" drill bit (for swivel stem)



Shown with power cord and also applies to all suspension types.

FLAIR

Pendant - Flat Canopy

LUMENWERX

POWER CORD

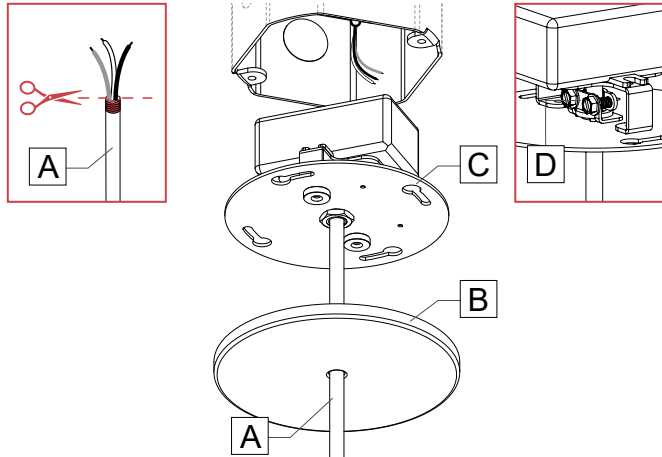
Flat Canopy with Deep Junction Box

1 INSTALL POWER CORD.

Adjust the cable length by cutting and stripping the fixture cable [A] to the desired length for the height of the fixture.

Pass the cable [A] through the canopy [B] and the mounting plate [C].

Tighten the cord grip [D].

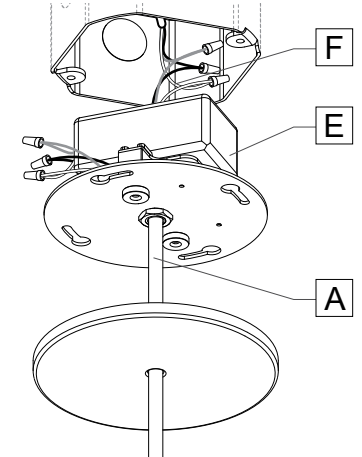


2 MAKE ELECTRICAL CONNECTIONS.

Make electrical connections between the fixture cable [A] and the driver [E] using wire nuts (by others).

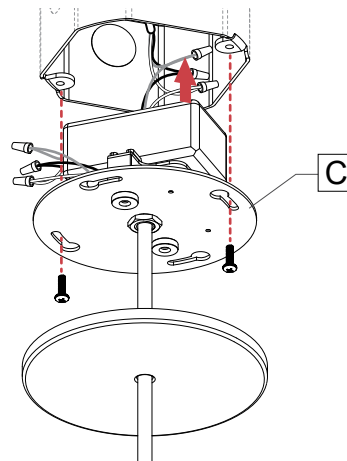
Then make electrical connections between the driver [E] and the main power [F] using wire nuts (by others).

Warning: A luminaire with more than one power supply connection means shall be connected to only one branch circuit.



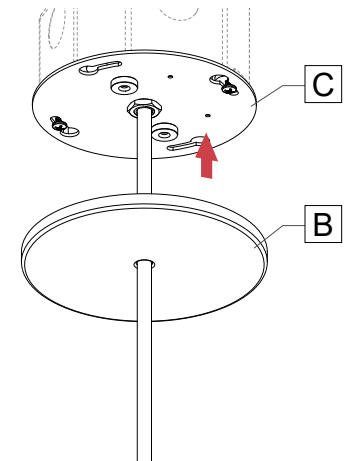
3 FIX MOUNTING PLATE.

Mount and turn the mounting plate [C] to place on the junction box. Tighten screws to secure the mounting plate [C] to the junction box.



4 MOUNT CANOPY.

Cover the mounting plate [C] with the canopy [B] under the provided magnets.



WIRING DIAGRAMS (1 Circuit)

For electrical connections, follow the wiring diagrams according to specified drivers in product configuration.

INTEGRAL DRIVER - STATIC WHITE, SOLA

D1 / SD1		ELV / TRI / SELV / STRI																	
<table border="1" style="width: 100%; border-collapse: collapse;"> <tr><td>BLACK</td><td>HOT</td></tr> <tr><td>WHITE</td><td>NEUTRAL</td></tr> <tr><td>GREEN</td><td>GROUND</td></tr> <tr><td>PURPLE</td><td>DIM (+) 0-10V</td></tr> <tr><td>PINK or GRAY</td><td>DIM (-) 0-10V</td></tr> </table>	BLACK	HOT	WHITE	NEUTRAL	GREEN	GROUND	PURPLE	DIM (+) 0-10V	PINK or GRAY	DIM (-) 0-10V		<table border="1" style="width: 100%; border-collapse: collapse;"> <tr><td>BLACK</td><td>HOT</td></tr> <tr><td>WHITE</td><td>NEUTRAL</td></tr> <tr><td>GREEN</td><td>GROUND</td></tr> </table> <p>Note: 120V max input voltage</p>	BLACK	HOT	WHITE	NEUTRAL	GREEN	GROUND	
BLACK	HOT																		
WHITE	NEUTRAL																		
GREEN	GROUND																		
PURPLE	DIM (+) 0-10V																		
PINK or GRAY	DIM (-) 0-10V																		
BLACK	HOT																		
WHITE	NEUTRAL																		
GREEN	GROUND																		

REMOTE DRIVER - STATIC WHITE, SOLA

RDA		RD1 / RELD1 / RELD0 / RSD1															
<table border="1" style="width: 100%; border-collapse: collapse;"> <tr><td>RED</td><td>LED (+)</td></tr> <tr><td>BLUE</td><td>LED (-)</td></tr> </table> <p>Note: For remote driver wiring in the remote driver box (RDB), refer to the applicable driver wiring.</p> <p>For max wire distance from driver, please check our website: WWW.LUMENWERX.COM</p>	RED	LED (+)	BLUE	LED (-)		<table border="1" style="width: 100%; border-collapse: collapse;"> <tr><td>BLACK</td><td>HOT</td></tr> <tr><td>WHITE</td><td>NEUTRAL</td></tr> <tr><td>GREEN</td><td>GROUND</td></tr> <tr><td>PURPLE</td><td>DIM (+) 0-10V</td></tr> <tr><td>PINK or GRAY</td><td>DIM (-) 0-10V</td></tr> </table>	BLACK	HOT	WHITE	NEUTRAL	GREEN	GROUND	PURPLE	DIM (+) 0-10V	PINK or GRAY	DIM (-) 0-10V	
RED	LED (+)																
BLUE	LED (-)																
BLACK	HOT																
WHITE	NEUTRAL																
GREEN	GROUND																
PURPLE	DIM (+) 0-10V																
PINK or GRAY	DIM (-) 0-10V																

RLTEA2W / RELV / RTRI / RSELV / RSTRI		RLDE1																	
<table border="1" style="width: 100%; border-collapse: collapse;"> <tr><td>BLACK</td><td>HOT</td></tr> <tr><td>WHITE</td><td>NEUTRAL</td></tr> <tr><td>GREEN</td><td>GROUND</td></tr> </table> <p>Note: 120V max input voltage</p>	BLACK	HOT	WHITE	NEUTRAL	GREEN	GROUND		<table border="1" style="width: 100%; border-collapse: collapse;"> <tr><td>BLACK</td><td>HOT</td></tr> <tr><td>WHITE</td><td>NEUTRAL</td></tr> <tr><td>GREEN</td><td>GROUND</td></tr> <tr><td>PURPLE</td><td>E1 TO ECOSYSTEM</td></tr> <tr><td>PINK or GRAY</td><td>E2 DIGITAL LINK</td></tr> </table>	BLACK	HOT	WHITE	NEUTRAL	GREEN	GROUND	PURPLE	E1 TO ECOSYSTEM	PINK or GRAY	E2 DIGITAL LINK	
BLACK	HOT																		
WHITE	NEUTRAL																		
GREEN	GROUND																		
BLACK	HOT																		
WHITE	NEUTRAL																		
GREEN	GROUND																		
PURPLE	E1 TO ECOSYSTEM																		
PINK or GRAY	E2 DIGITAL LINK																		

FLAIR

Pendant - Flat Canopy

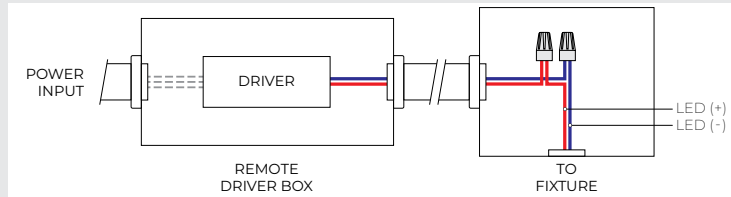
LUMENWERX

REMOTE DRIVER - DUO

RED	LED (+)
BLUE	LED (-)

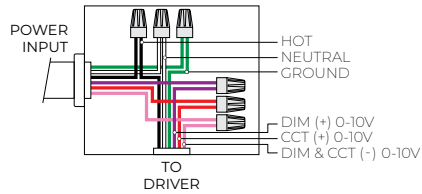
Note:
For remote driver wiring in the remote driver box (RDB), refer to the applicable driver wiring.

For max wire distance from driver, please check our website: WWW.LUMENWERX.COM



RDD1

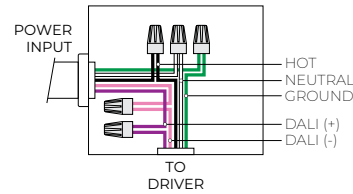
BLACK	HOT
WHITE	NEUTRAL
GREEN	GROUND
PURPLE	DIM (+) 0-10V
RED	CCT (+) 0-10V
PINK or GRAY	DIM & CCT (-) 0-10V



Note:
Common negative for dimming & CCT

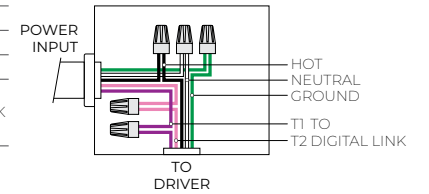
RDDA / RDDA8

BLACK	HOT
WHITE	NEUTRAL
GREEN	GROUND
PURPLE	DALI (+)
PINK or GRAY	DALI (-)



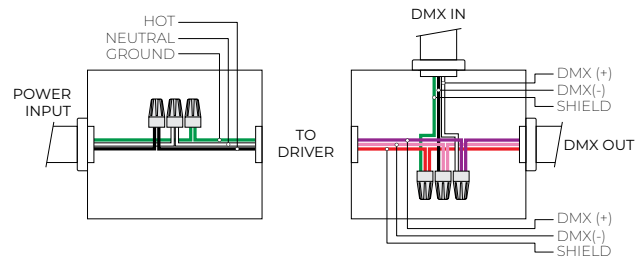
RPSQ0

BLACK	HOT
WHITE	NEUTRAL
GREEN	GROUND
PURPLE	T1 TO
PINK or GRAY	T2 DIGITAL LINK



RDMX

BLACK	HOT
WHITE	NEUTRAL
GREEN	GROUND
WHITE	DMX (+)
BLACK	DMX (-)
GREEN	SHIELD
PURPLE	DMX (+)
PINK or GRAY	DMX (-)
RED	SHIELD



Note:
- Must follow DMX wiring architecture
- Use low capacitance wiring for DMX network