

FLAIR 3" SLEEVE

CYLINDER SURFACE

DIRECT

 Lumenwerx



6" Height



8" Height



12" Height

The Flair Cylinder family is a series of pendant, surface, and wall mounted decorative luminaires featuring refined proportions, attention to detail, and minimalist versatility. It consists of the Flair Sleeve, Flair Diffuser, and Flair Glow Ring. The Flair Diffuser is available in 2" or 3" diameters, while the Flair Sleeve and Flair Glow Ring are available in 3" diameters only.

Optic - Sleeve



Flush sleeve



1/4" sleeve

Flair Cylinder Family (Refer to other spec sheets)



2" / 3"
Diffuser
Pendant/Surface/Wall



3"
Glow ring
Pendant/Surface/Wall



3"
Sleeve
Pendant/Surface/Wall

FLAIR 3" SLEEVE

CYLINDER SURFACE
DIRECT



Project: _____

Type: _____

Order Guide

LUMINAIRE ID	DISTRIBUTION	CYLINDER HEIGHT	CYLINDER FINISH	OPTIC	SLEEVE FINISH	LIGHT SOURCE
FL3SLCYS	D					
FL3SLCYS - Flair 3" Sleeve Cylinder Surface	D - Direct	6IN ¹ - 6" 8IN - 8" 12IN - 12" CH#IN ² - Custom height ¹ Not available with DMNC/DMRM canopy options when specified with integral drivers. ² Specify height (#) in 1" increments only. Up to maximum 36". For minimum heights, see page 4.	FTMW - Textured matte white FTMB - Textured matte black FCHP - Champagne CF# - Custom finish, specify RAL#	SLFH - Flush sleeve SLI4 - 1/4" sleeve	FTMW - Textured matte white FTMB - Textured matte black FCP - Copper FBS - Brass	SW - Static white FS - Full spectrum SOLA - Dim-to-warm single channel control 35K to 22K DUO - Tunable white 2-channel control 65K to 27K

BEAM	COLOR QUALITY	CRI	COLOR TEMP.	ACCESSORIES ⁵
	Specify NA for 80°			Specify NA for 80°
Angle	Lambertian	25TP ³ - 2 Step MacAdam Ellipse 35TP - 3 Step MacAdam Ellipse NA - Not applicable ³ Not available with full spectrum.	90CRI ⁴ - 90 CRI 95CRI - 95 CRI 80CRI ⁴ - 80 CRI ⁴ Not available with full spectrum.	At light element ^{6,7} (choose up to 2 options) LSDL - Soft diffused lens, Solite LFDL - Frosted diffused lens LCL - Clear lens LS - Linear spread NA - None
15DEG - 15° Narrow spot 25DEG - 25° Spot 35DEG - 35° Narrow flood 50DEG - 50° Wide flood	80DEG - 80° Lambertian		27K - 2700K 30K - 3000K 35K - 3500K 40K - 4000K	⁵ For SOLA/DUO, one of the following lenses must be specified: LSDL or LFDL. ⁶ If two options are specified, separate codes with a "+", e.g. LSDL+LS. ⁷ LSDL, LFDL and LCL cannot be combined.
50DEG - 50° Wide flood	80DEG - 80° Lambertian	35TP - 3 Step MacAdam Ellipse NA - Not applicable	90CRI - 90 CRI	SOLA - Dim-to-warm single channel control 35K to 22K DUO - Tunable white 2-channel control 65K to 27K

VOLTAGE	WATTAGE ⁹	DIMMING ¹⁰	
120V - 120V 277V - 277V UNV - 120V-277V 347V ⁸ - 347V ⁸ Available with RD1 driver only. Please consult factory.	10W - 10 W output, up to 1151 lm 14W - 14 W output, up to 1562 lm 20W - 20 W output, up to 2145 lm ⁹ Lumen outputs are reduced with full spectrum, consult factory.	INTEGRAL DI - 1% 0-10V ELV ¹¹ - ELV 120V TRI ¹¹ - TRIAC 120V ¹⁰ PoE (Power-over-Ethernet) compatible. Consult factory for details. ¹¹ Available with 120V only.	REMOTE ¹² RD1 - 1% 0-10V RELV ¹³ - ELV 120V RTRI ¹³ - TRIAC 120V ¹² A remote driver box is provided, see page 4 for details. ¹³ Available with 120V only.
	SOLA 12W - 12 W output, up to 725 lm DUO 11W - 11 W output, up to 525 lm	SOLA SDI - Single 0-10V input SELV ¹¹ - ELV 120V STRI ¹¹ - TRIAC 120V	SOLA RSD1 - Single 0-10V input RSELV ¹³ - ELV 120V RSTRI ¹³ - TRIAC 120V
			RLDE1 ¹⁴ - Lutron Hi-lume 1% Eco RDA ¹⁴ - DALI RELD1 - eldoLED 1% ECOdrive 0-10V RELD0 - eldoLED 0.1% SOLOdrive 0-10V +EB ¹⁵ - Emergency battery ¹⁴ On-site commissioning is required. ¹⁵ For emergency battery, code will be like the following example: RD1+EB.
			DUO RDMX ¹⁴ - DMX RDDA ¹⁴ - DALI DT6 RDDA8 ¹⁴ - DALI DT8 RDD1 - Dual 0-10V input for CCT/intensity RPSQ0 ¹⁴ - Lutron T-Series 1% tunable white

CANOPY TYPE ¹⁶	CANOPY FINISH
	Specify NA for DM
FLR ¹⁷ - Flat round canopy, 4" octagonal junction box CDR ¹⁷ - Conduit feed, round canopy DMNC ¹⁸ - Direct mount, new construction DMRM ^{18,19} - Direct mount, remodel ¹⁶ See page 4 for details. ¹⁷ 6" long cylinders require a j-box for integral drivers. See page 4 for details. ¹⁸ 6" long cylinders require a remote driver. ¹⁹ Single wiring entry only. No daisy chain connections allowed.	FTMW - Textured matte white FTMB - Textured matte black FCHP - Champagne CF# - Custom finish, specify RAL# NA - None

FLAIR 3" SLEEVE

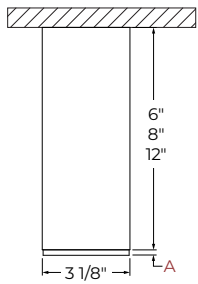
CYLINDER SURFACE

DIRECT



Dimensions

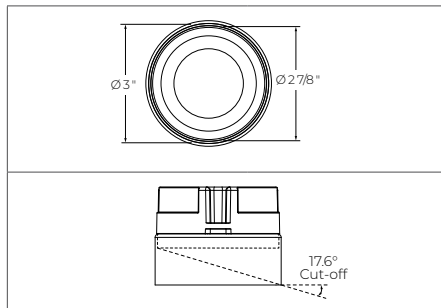
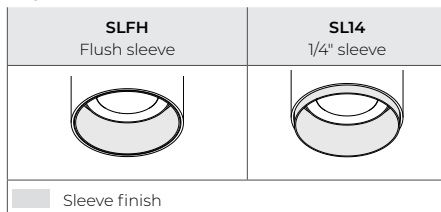
CYLINDER



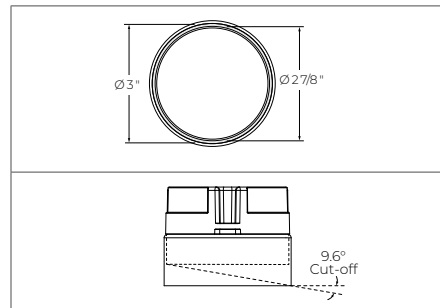
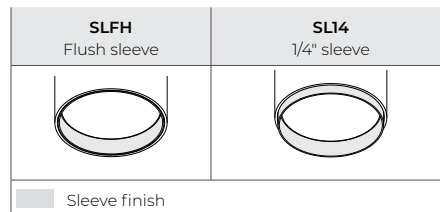
SLEEVE	A
Flush sleeve	NA
1/4" sleeve	1/4"

OPTIC - SLEEVE

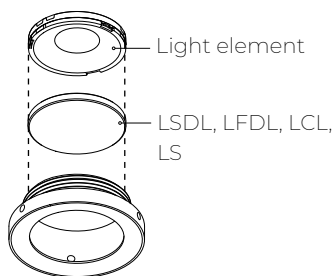
Angle - 15°, 25°, 35° and 50°



Lambertian - 80°



Accessories



FLAIR 3" SLEEVE

CYLINDER SURFACE
DIRECT



Mounting

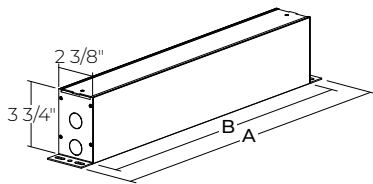
CANOPY

INTEGRAL DRIVER				REMOTE DRIVER				
Order code	FLR Flat round canopy, 4" octagonal junction box	CDR Conduit feed, round canopy	DMNC Direct mount, new construction	DMRM* Direct mount, remodel	FLR Flat round canopy, 4" octagonal junction box	CDR Conduit feed, round canopy	DMNC Direct mount, new construction	DMRM* Direct mount, remodel
Canopy type								
Canopy size	Ø 4 1/2" Height 3/8"	Ø 5 1/2" Height 1 15/16"	NA		Ø 4 1/2" Height 3/8"	Ø 5 1/2" Height 1 15/16"	NA	
Min. height	6" (Driver in junction box) 8" (Driver in cylinder)		8"		6"			

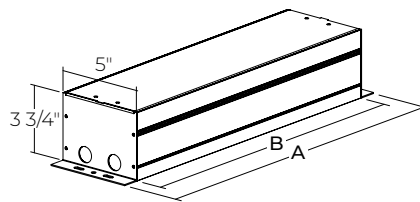
*Single wiring entry only. No daisy chain connections allowed.

REMOTE DRIVER BOX

RDB8 / RDB18 / RDB24



RDB24W



	RDB8	RDB18	RDB24	RDB24W
A	10"	20"	26"	26"
B	8"	18"	24"	24"
DRIVER	RD1 - 1% 0-10V RELV - ELV 120V RTRI - TRIAC 120V SOLA RSD1 - Single 0-10V input RSELV - ELV 120V RSTRI - TRIAC 120V	RLDE1 - Lutron Hi-lume 1% Eco RDA - DALI RELD1 - eldoLED 1% ECOdrive 0-10V RELD0 - eldoLED 0.1% SOLOdrive 0-10V	Emergency battery (+EB) with the following driver options. RD1+EB - 1% 0-10V RELV+EB - ELV 120V RTRI+EB - TRIAC 120V DUO RDMX - DMX RDDA - DALI DT6 RDDA8 - DALI DT8 RDD1 - Dual 0-10V input for CCT/intensity RPSQ0 - Lutron T-Series 1% tunable white	Emergency battery (+EB) with the following driver options. RLDE1+EB - Lutron Hi-lume 1% Eco RDA+EB - DALI RELD1+EB - eldoLED 1% ECOdrive 0-10V RELD0+EB - eldoLED 0.1% SOLOdrive 0-10V

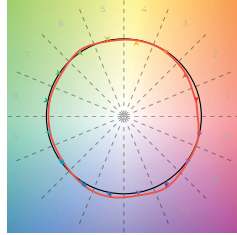
FLAIR 3" SLEEVE

CYLINDER SURFACE
DIRECT



Color Quality

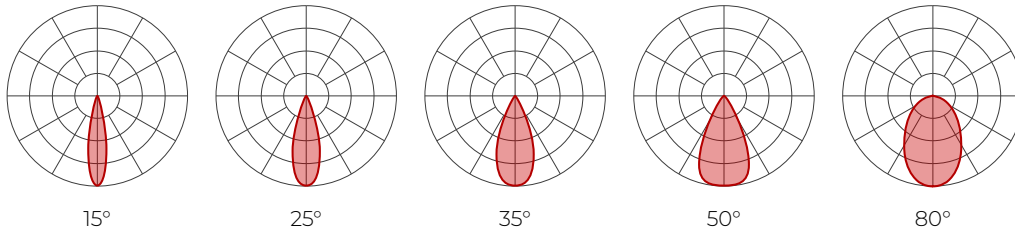
COLOR QUALITY - 3500K	
TM-30 R _f	90
TM-30 R _a	100
CRI	90
R9	> 50



Photometrics

Values calculated based on 3500K, white sleeve, and LSDL lens option.

OPTIC - SLEEVE



■ Flush sleeve

Delivered lumens

■ Angle ■ Lambertian

BEAM	90 CRI					95 CRI					80 CRI				
	15°	25°	35°	50°	80°	15°	25°	35°	50°	80°	15°	25°	35°	50°	80°
10 W	983	1044	1039	932	896	756	803	799	717	689	1051	1116	1110	997	957
14 W	1335	1418	1410	1266	1216	1027	1090	1084	973	935	1427	1516	1507	1353	1300
20 W	1833	1947	1936	1738	1669	1410	1497	1489	1337	1284	1960	2081	2070	1858	1785

Efficacy

BEAM	90 CRI					95 CRI					80 CRI				
	15°	25°	35°	50°	80°	15°	25°	35°	50°	80°	15°	25°	35°	50°	80°
10 W	98	104	104	93	90	76	80	80	72	69	105	112	111	100	96
14 W	95	101	101	90	87	73	78	77	70	67	102	108	108	97	93
20 W	92	97	97	87	83	70	75	74	67	64	98	104	103	93	89

FLAIR 3" SLEEVE

CYLINDER SURFACE DIRECT



■ 1/4" sleeve

Delivered lumens

■ Angle ■ Lambertian

CRI	90 CRI					95 CRI					80 CRI				
	15°	25°	35°	50°	80°	15°	25°	35°	50°	80°	15°	25°	35°	50°	80°
10 W	1014	1077	1071	961	924	780	828	823	739	711	1084	1151	1145	1028	988
14 W	1376	1462	1454	1305	1255	1058	1124	1118	1004	965	1471	1562	1554	1395	1341
20 W	1890	2007	1996	1792	1723	1453	1543	1535	1378	1325	2020	2145	2134	1916	1842

Efficacy

CRI	90 CRI					95 CRI					80 CRI				
	15°	25°	35°	50°	80°	15°	25°	35°	50°	80°	15°	25°	35°	50°	80°
10 W	101	108	107	96	92	78	83	82	74	71	108	115	114	103	99
14 W	98	104	104	93	90	76	80	80	72	69	105	112	111	100	96
20 W	94	100	100	90	86	73	77	77	69	66	101	107	107	96	92

MULTIPLIERS

Please follow the multiplier tables to ensure correct lumen value. Beams, CCT, sleeve finish and accessories will change the lumen value.

CCT		ACCESSORIES		SLEEVE FINISH	
2700K	0.9	Soft diffused lens	1	Texture matted White	1
3000K	0.95	Frosted diffused lens	0.8	Texture matted Black	0.99
3500K	1	Clear lens	1.1	Copper	0.99
4000K	1.05	Linear spread	0.84	Brass	0.99

FLAIR 3" SLEEVE

CYLINDER SURFACE

DIRECT



Technical Specifications

OPTIC

XPoint™ Refraction Technology optics provide precise optical control in a remarkably compact form. Micro optical paths from the chip on board converge and then disperse in precise beam angles, resulting in a crisp and exacting light quality.

LIGHT SOURCE

static white

Compact COB (Chip-On-Board) LED module, available in 2700K, 3000K, 3500K and 4000K with a choice of 80 CRI, 90 CRI, or 95 CRI, with elevated R9 value for 90 CRI and above. Color consistency is maintained to within 2 SDCM. All LEDs have been tested in accordance with IESNA LM-80-08 and the results have shown L80 lumen maintenance greater than 60,000 hours. Absolute product photometry is measured and presented in accordance with IESNA LM-79, unless otherwise indicated.

Full spectrum

The full spectrum LED option offers improved color particularly in the cyan region which helps increase Cyanosis Observation Index (COI) and assist in regulating circadian rhythms. The cyan region in full spectrum LED is richer at the 480 nm range.

Chromawerx SOLA

Chromawerx SOLA is single-channel control that dims output while warming the color temperature in a pre-determined relationship. A simple analog control adjusts a specially populated LED array to emulate the effect of dimming a filament source.

Chromawerx DUO

Chromawerx DUO offers a two-channel control system which uses analog or digital protocols for synchronous control of both cool (6500K) to warm (2700K) LED arrays - maintaining a CRI above 90. The range of color DUO offers is useful for entraining circadian rhythms, stimulating alertness, and compensating for jet lag among other applications. The Chromawerx drivers are programmed to limit maximum light output and power usage across all color temperatures. When paired with DALI drivers (DDA/DDA8), color tuning follows a linear dimming curve.

BEAM ANGLES



ELECTRICAL

Unless otherwise specified, dimming down to 1%. At maximum driver load: efficiency>84%, PF>0.9, THD<20%.

Integral: 0-10V, ELV, TRIAC

Remote: 0-10V, ELV, TRIAC, Lutron Hi-Lume 1% 2-wire and 1% EcoSystem, DALI, eldoLED 0.1% SOLOdrive 0-10V, eldoLED 1% ECOdrive 0-10V, DMX, Lutron T-series (tunable white)

Emergency battery option: Remotely-installed, long-life, high-temperature, maintenance-free, Bodine Lithium-Ion battery pack with self-test functionality, test switch and charge indicator. IOTA and Fulham options available upon request. Minimum of 90 minutes operation, and recharge time of 24 hours. For fixtures less than 10 W, the battery provides 6 W of emergency light output. For fixtures 10 W and over, the battery provides 10 W.

PoE

Depending on the PoE manufacturer selected, Lumenwerx will install the node in factory as either integral to the luminaire or as a remote module. Factory programming of the PoE node may or may not enable the following functionalities: lumen package, DUO (tunable white), QUADRO (RGBW), emergency battery backup, and sensor integration. These must be addressed and evaluated on a case-by-case basis.

CONSTRUCTION

Housing: Die-cast and extruded aluminum

Canopy: Flat, conduit feed, and direct

Finish: Textured matte white, black, and champagne. Custom colors also available (provide RAL #).

Sleeve: Painted steel for textured matte white and black finishes, copper for copper finish, and brass for brass finish.

Heat sink: Die-cast aluminum

WEIGHT

6": 2 lbs - 0.9 kg

8": 2.2 lbs - 1 kg

12": 2.4 lbs - 1.1 kg

FLAIR 3" SLEEVE

CYLINDER SURFACE

DIRECT



ACCESSORIES



Soft diffused lens, Solite



Frosted diffused lens



Clear lens



Linear spread

CERTIFICATION

ETL: Rated for indoor dry/damp locations. Conforms to UL Standard 1598 and certified to CAN/CSA Standard C22.2 No. 250.0.

WARRANTY

Lumenwerx provides a five-year limited warranty of electrical and mechanical performance of the luminaires, including the LED boards, drivers, and auxiliary electronics. Lumenwerx will repair or replace defective luminaires or components at our discretion, provided they have been installed and operated in accordance with our specifications. Other limitations apply, please refer to the full warranty on our website.