



OVERVIEW

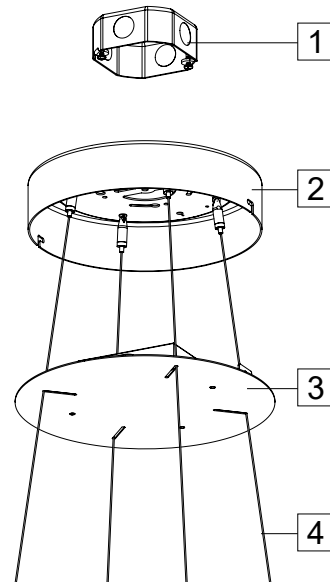
 This product must be installed in accordance with the National Electrical Code and all applicable local codes, by a person familiar with the construction and operation of the product, and the hazards involved. Proper grounding is required for safety.

Ce produit doit être installé suivant le code national de l'électricité, ainsi que tous les codes locaux applicables, par une personne familière avec la construction et le fonctionnement du produit, ainsi que tous les risques qui y sont associés. La mise à terre électrique est obligatoire pour la sécurité.

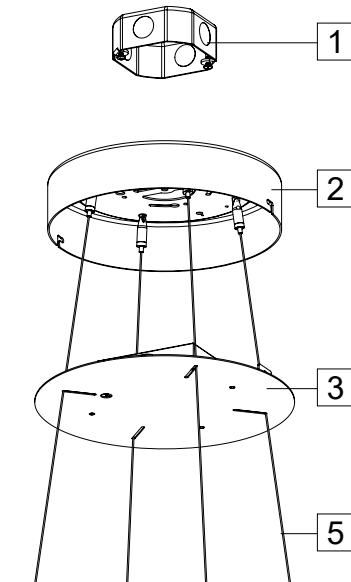
 Wire dimming conductors as Class 1.

 For electrical connections, follow the wiring diagrams on page 8 according to specified drivers in product configuration.

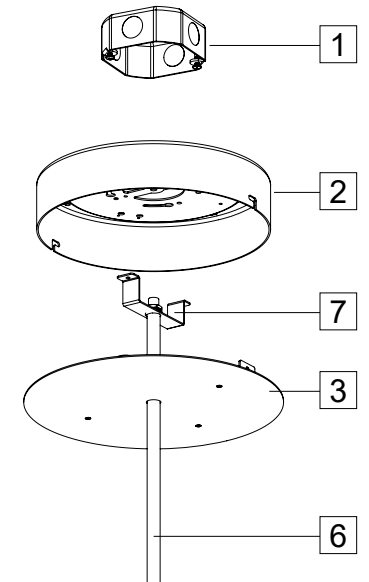
POC
Power-over-aircraft cable



AC
Power cable + aircraft cable



Stem



Index

Go to pages related to product configuration.

POC.....	P.2
AC.....	P.4
Stem.....	P.6
Wiring diagrams.....	P.8

Items list

1	Standard J-box (by others)
2	Canopy driver box
3	Canopy plate
4	Power-over-aircraft cable
5	Aircraft cable
6	Stem
7	Stem bracket

FOLIA ACOUSTIX

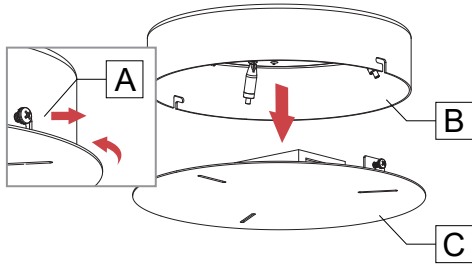
Pendant - Round Canopy Driver Box (RCD) - Single Canopy

LUMENWERX

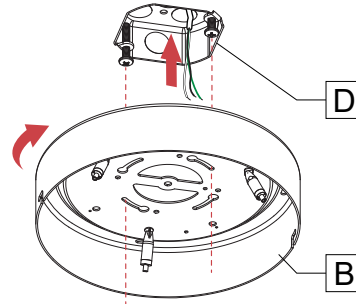
POC (Power-over-aircraft cable)

1 PREPARE MOUNTING POINTS.

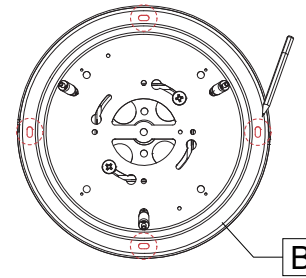
Slightly loosen the screws [A] on the side of the canopy [B]. Remove the canopy plate [C].



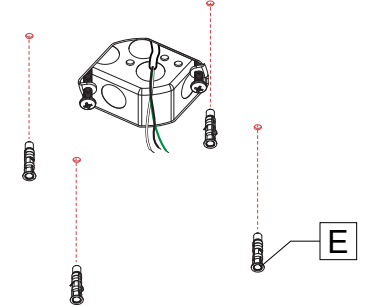
Fix the canopy [B] on the junction box [D].



Use the canopy [B] as a model to mark 4 holes.

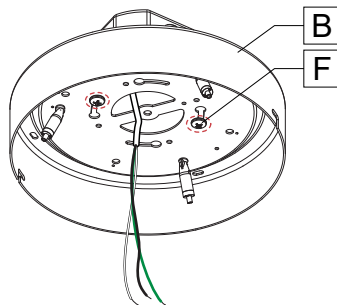


Remove the canopy. Drill holes (1/4" diameter) following the red marks. Install #8 screw anchors [E].

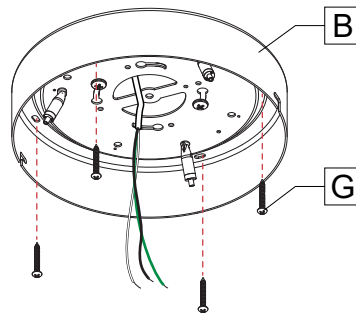


2 FIX CANOPY TO CEILING.

Tighten the two screws [F] to secure the canopy [B] to the junction box.



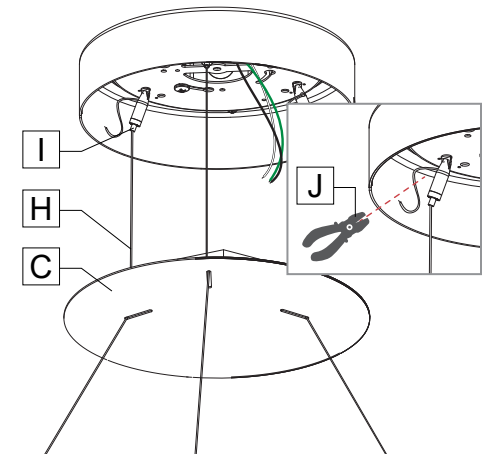
Use #8 screws [G] to fasten the canopy [B] to the ceiling.



3 INSTALL AIRCRAFT CABLES.

Pass all aircraft cables [H] through the canopy plate [C]. Insert them into the griplocks [I]. Adjust the cables by pushing the feeder tube [I]. Cut the excess cables with an aircraft cable cutter [J].

Notes: Height adjustment of the fixture must be done at this step. Leave POC (power-over-aircraft cable) length of 1.5" to make the connection inside the canopy. Number of aircraft cables may vary.



FOLIA ACOUSTIX

Pendant - Round Canopy Driver Box (RCD) - Single Canopy

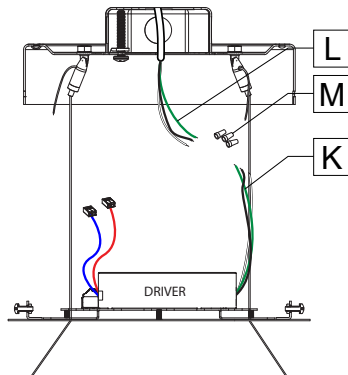
LUMENWERX

4 MAKE ELECTRICAL CONNECTIONS.

Make electrical connections between the driver [K] and the main power [L] with wire nuts [M] (by others).

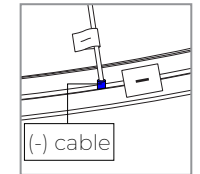
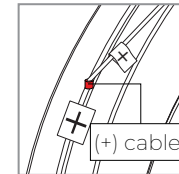
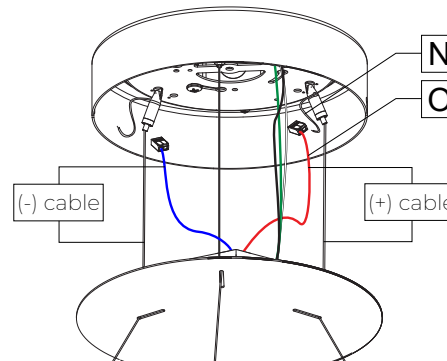
Notes: Connect the green wire to your ground wire. Make sure to have a steady hold of the fixture. So, it is never hanging loosely from POC (power-over-aircraft cable) if installation is not complete.

Warning: A luminaire with more than one power supply connection means shall be connected to only one branch circuit.



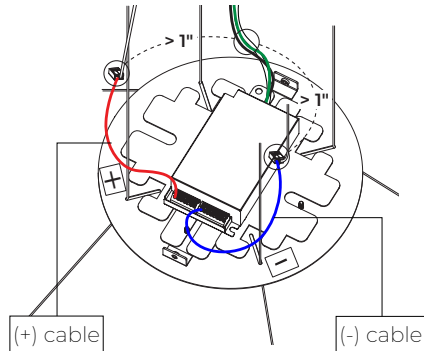
Make electrical connections between POC (power-over-aircraft cable) [N] and the driver [O].

Notes: Make sure that you are connecting the negative (-) POC (as mark on the fixture with blue color and a label) to your negative wire and the positive (+) POC (as mark on the fixture with red color and a label) to your positive wire.



5 REINSTALL CANOPY PLATE.

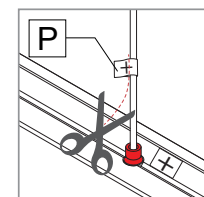
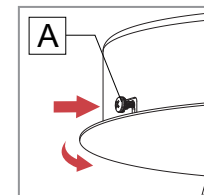
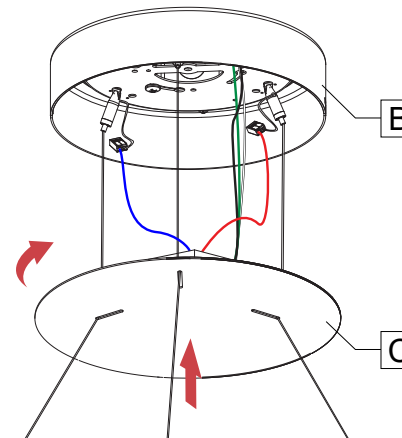
Organise the wires that will be placed inside the canopy. Make sure that the low voltage (+) and (-) are more than 1" away from the branch circuit.



Put the canopy plate [C] back in place.

Secure the canopy plate [C] onto the canopy [B] by tightening the two screws [A] on the sides.

Cut the labels [P] off the wires.



FOLIA ACOUSTIX

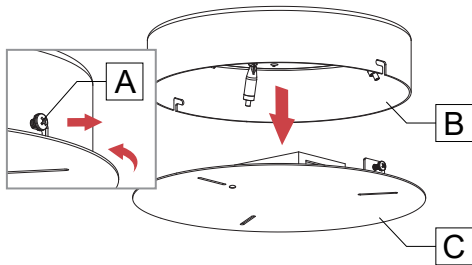
Pendant - Round Canopy Driver Box (RCD) - Single Canopy

LUMENWERX

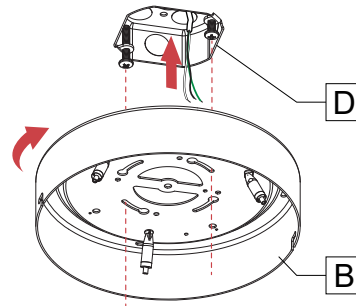
AC (Power cord + aircraft cable)

1 PREPARE MOUNTING POINTS.

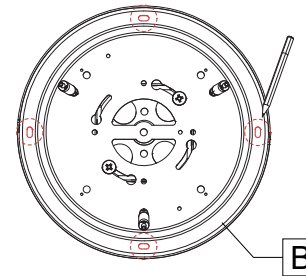
Slightly loosen the screws [A] on the side of the canopy [B]. Remove the canopy plate [C].



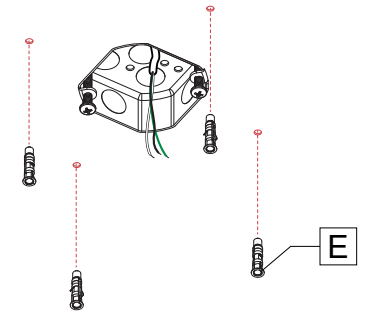
Fix the canopy [B] to the junction box [D].



Use the canopy [B] as a model to mark 4 holes.

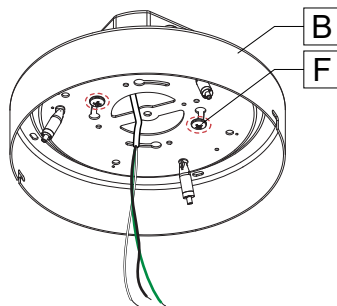


Remove the canopy. Drill holes (1/4" diameter) following the red marks. Install #8 screw anchors [E].

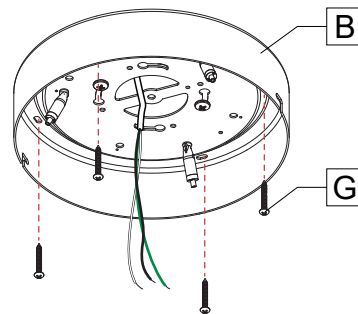


2 FIX CANOPY TO CEILING.

Tighten the two screws [F] to secure the canopy [B] to the junction box.



Use #8 screws [G] to fasten the canopy [B] to the ceiling.

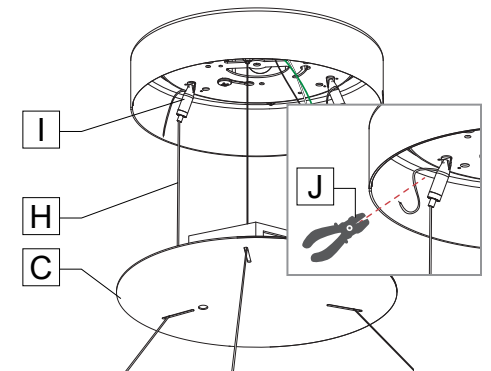


3 INSTALL AIRCRAFT CABLES.

Pass all aircraft cables [H] through the canopy plate [C]. Insert them into the griplocks [I]. Adjust the cables by pushing the feeder tube [I].

Cut the excess cables with an aircraft cable cutter [J].

Notes: Height adjustment of the fixture must be done at this step. Number of aircraft cables may vary.



FOLIA ACOUSTIX

LUMENWERX

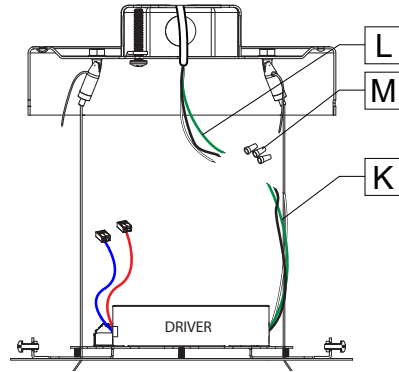
Pendant - Round Canopy Driver Box (RCD) - Single Canopy

4 MAKE ELECTRICAL CONNECTIONS.

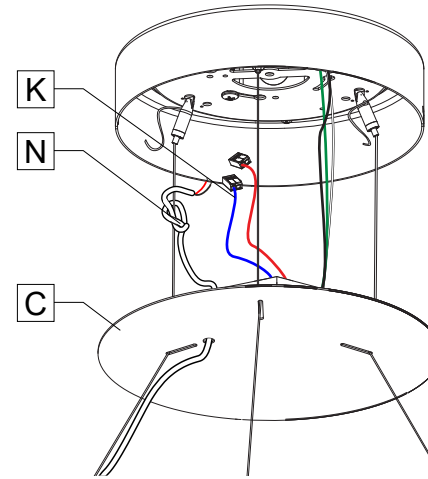
Make electrical connections between the driver [K] and the main power [L] with wire nuts [M] (by others).

Notes: Connect the green wire to your ground wire.

Warning: A luminaire with more than one power supply connection means shall be connected to only one branch circuit.



Pass the power cord [N] into the canopy plate [C] and make a knot. Make electrical connections between the power cord [N] and the driver [K].

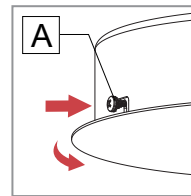
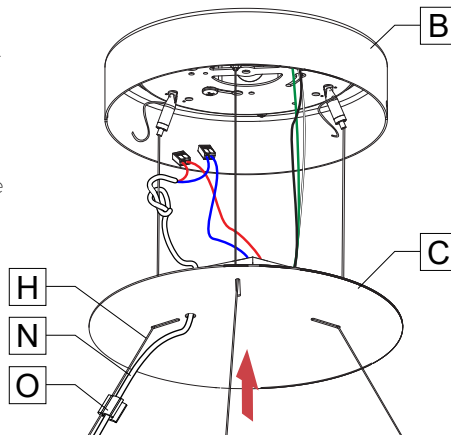


5 REINSTALL CANOPY PLATE.

Secure the power cord [N] to the aircraft cable [H] with plastic clip [O].

Put the canopy plate [C] back in place.

Secure the canopy plate [C] onto the canopy [B] by tightening the two screws [A] on the sides.



FOLIA ACOUSTIX

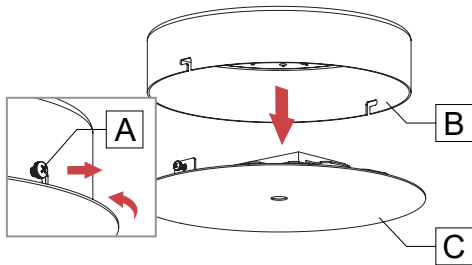
Pendant - Round Canopy Driver Box (RCD) - Single Canopy

LUMENWERX

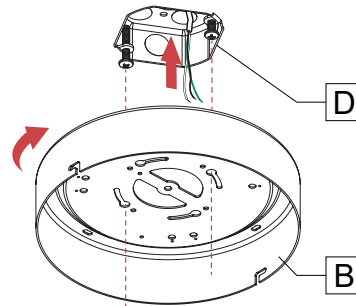
STEM

1 PREPARE MOUNTING POINTS.

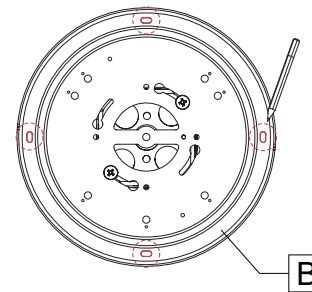
Slightly loosen the screws [A] on the side of the canopy [B]. Remove the canopy plate [C].



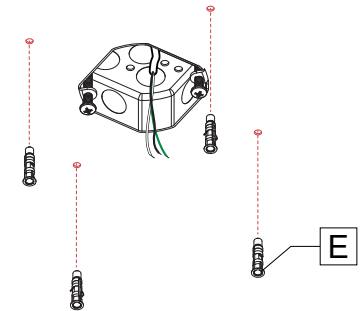
Fix the canopy [B] to the junction box [D].



Use the canopy [B] as a model to mark 4 holes.

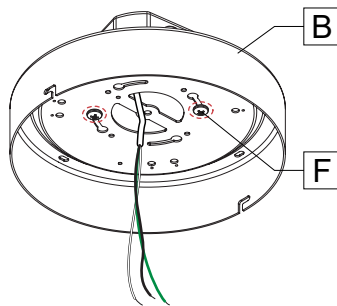


Remove the canopy. Drill holes (1/4" diameter) following the red marks. Install #8 screw anchors [E].

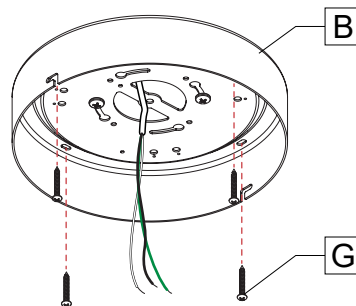


2 FIX CANOPY TO CEILING.

Tighten the two screws [F] to secure the canopy [B] to the junction box.

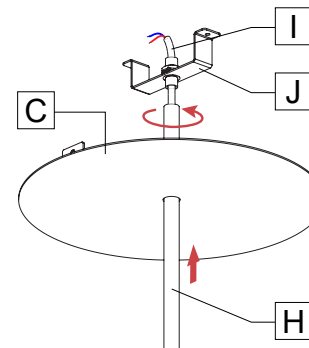


Use #8 screws [G] to fasten the canopy [B] to the ceiling.



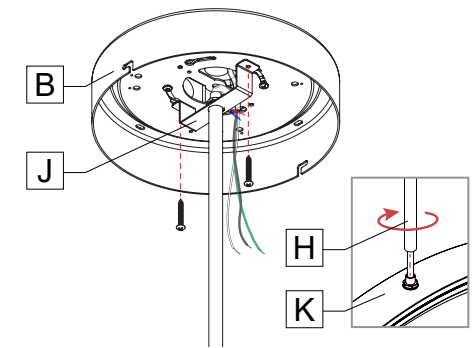
3 INSTALL STEM.

Slide the canopy plate [C] over the stem [H]. Pass the power cord [I] through the stem [H] and the stem bracket [J]. Mount the stem [H] on the stem bracket [J].



Install the stem bracket [J] on the canopy [B] with screws.

Screw the stem [H] on the fixture [K].



FOLIA ACOUSTIX

Pendant - Round Canopy Driver Box (RCD) - Single Canopy

LUMENWERX

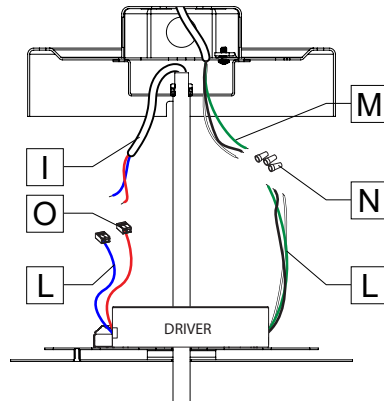
4 MAKE ELECTRICAL CONNECTIONS.

Make electrical connections between the driver [L] and the main power [M] with wire nuts [N] (by others).

Make electrical connections between the power cord [I] and the driver [L] using quick connectors [O].

Notes: Connect the green wire to your ground wire.

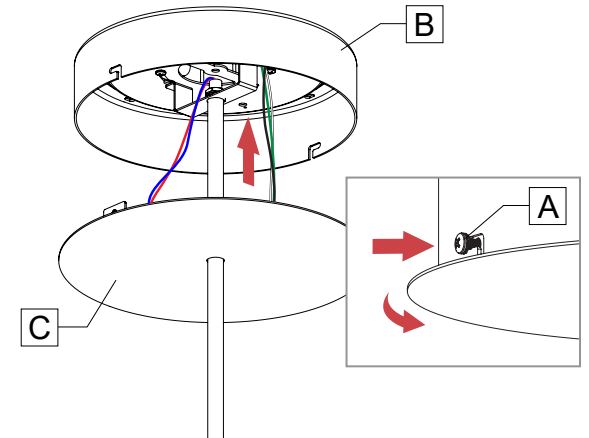
Warning: A luminaire with more than one power supply connection means shall be connected to only one branch circuit.



5 REINSTALL CANOPY PLATE.

Put canopy plate [C] back in place turn to fix it.

Secure the canopy plate [C] onto the canopy [B] by tightening the two screws [A] on the sides.



Pendant - Round Canopy Driver Box (RCD) - Single Canopy

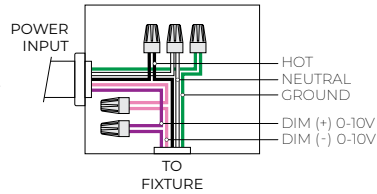
WIRING DIAGRAMS (1 Circuit)

For electrical connections, follow the wiring diagrams according to specified drivers in product configuration.

STATIC WHITE, SOLA

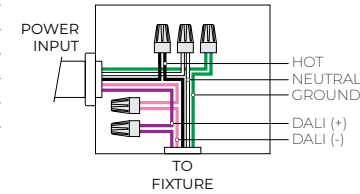
D1 / ELD1 / ELD0

BLACK	HOT
WHITE	NEUTRAL
GREEN	GROUND
PURPLE	DIM (+) 0-10V
PINK or GRAY	DIM (-) 0-10V



DA

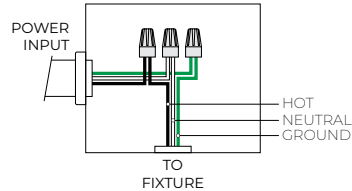
BLACK	HOT
WHITE	NEUTRAL
GREEN	GROUND
PURPLE	DALI (+)
PINK or GRAY	DALI (-)



LTEA2W

BLACK	HOT
WHITE	NEUTRAL
GREEN	GROUND

Note:
120V max input voltage



LDE1

BLACK	HOT
WHITE	NEUTRAL
GREEN	GROUND
PURPLE	E1 TO ECOSYSTEM
PINK or GRAY	E2 DIGITAL LINK

