

FOLIA ACOUSTIX

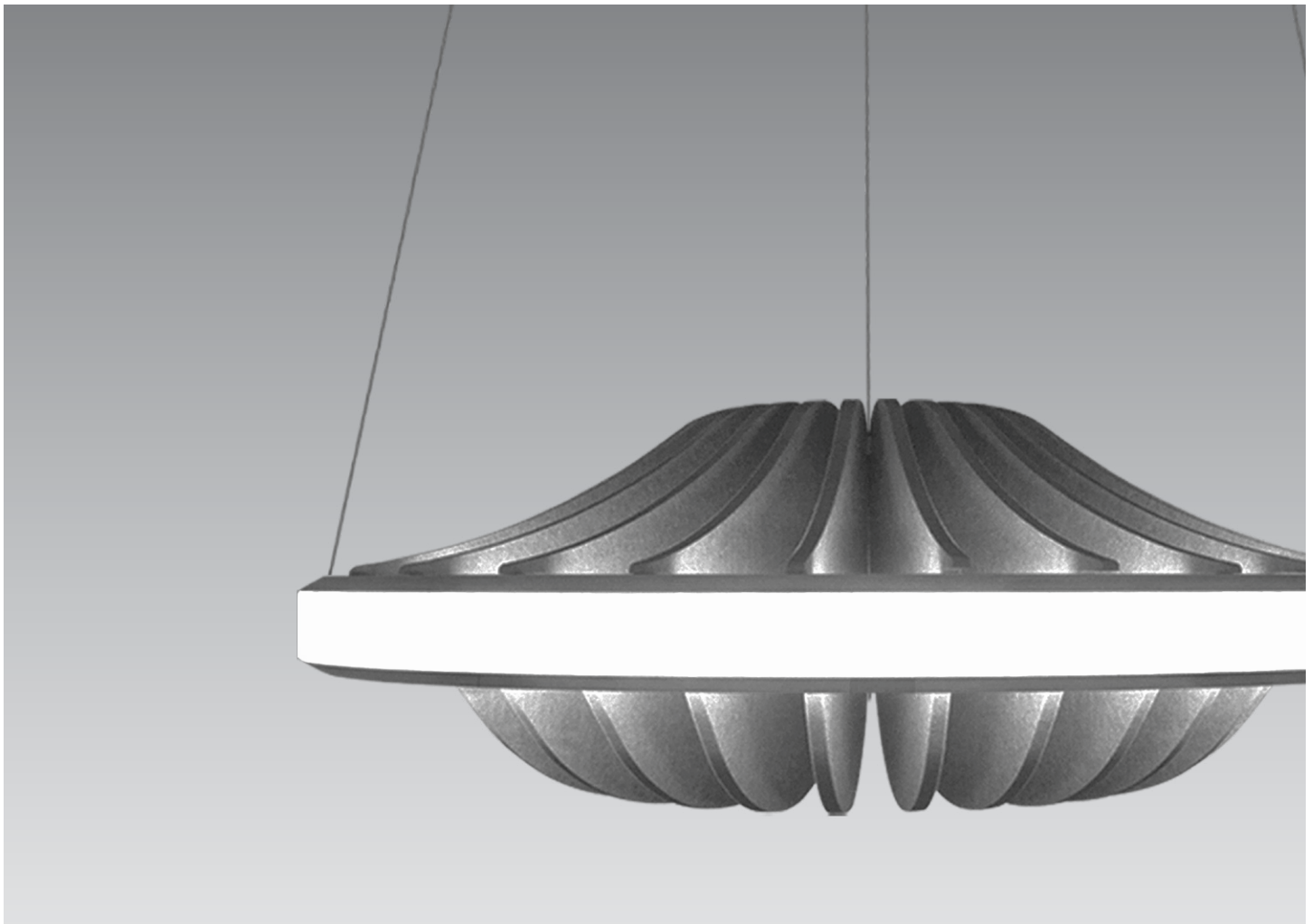
PENDANT
STATIC WHITE



Project: _____

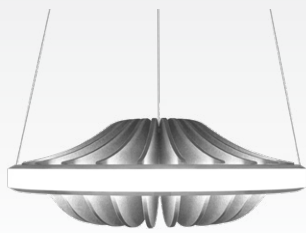

Type: _____

LUMENWERX



The luminaires of the Folia Acoustix product line—Folia Bellis, Folia Calla, Folia Calla Shallow, and Folia Dahlia—were designed to deliver quality illumination, reduce sound reverberation, and serve as decorative elements in interior settings. Composed of numerous layers of sound-absorbing felt created from recycled bottles, the multi-dimensional voluminous fixtures are graced with an esthetic inspired by the shapes and forms of the botanical world. Unlit during the day, they appear as visually rich sculptural mobiles, but come nighttime, the dynamic luminaires transform into glowing celestial bodies.

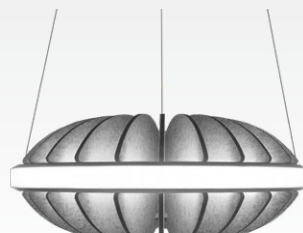
SENSORS
For latest information on sensors, click [here](#).



CALLA



CALLA SHALLOW



BELLIS



DAHLIA



FOLIA ACOUSTIX

PENDANT
STATIC WHITE



Project: _____

Type: _____

LUMENWERX

Order Guide

LUMINAIRE ID	SIZE	DISTRIBUTION	OPTIC	LIGHT SOURCE ¹	CRI
			ULO	SW	90CRI
FOLCLACOP - Folia Calla Acoustix Pendant FOLCSACOP - Folia Calla Shallow Acoustix Pendant FOLBLACOP - Folia Bellis Acoustix Pendant FOLDHACOP - Folia Dahlia Acoustix Pendant	24IN - Ø 24" 36IN - Ø 36" 48IN - Ø 48"	OID - Outward/Inward OTD - Outward	ULO - Uniform Lambertian Optic	SW - Static white ¹ Chromawerx Sola, Duo and Quadro also available. Consult factory for details.	90CRI - 90 CRI

LUMEN PACKAGE	COLOR TEMP.	VOLTAGE	DRIVER ³	ELECTRICAL ⁵																																						
				1C																																						
<table border="1"> <thead> <tr> <th colspan="3">OUTWARD/INWARD</th> <th colspan="3">OUTWARD</th> </tr> <tr> <th></th> <th>Low</th> <th>Med</th> <th>High</th> <th></th> <th>Low</th> <th>Med</th> <th>High</th> </tr> </thead> <tbody> <tr> <td>Ø 24"</td> <td>2000LM</td> <td>3000LM</td> <td>4000LM</td> <td>Ø 24"</td> <td>2000LM</td> <td>3000LM</td> <td>4000LM</td> </tr> <tr> <td>Ø 36"</td> <td>3000LM</td> <td>4500LM</td> <td>6000LM</td> <td>Ø 36"</td> <td>3000LM</td> <td>4500LM</td> <td>6000LM</td> </tr> <tr> <td>Ø 48"</td> <td>4000LM</td> <td>6000LM</td> <td>8000LM</td> <td>Ø 48"</td> <td>4000LM</td> <td>6000LM</td> <td>8000LM</td> </tr> </tbody> </table>	OUTWARD/INWARD			OUTWARD				Low	Med	High		Low	Med	High	Ø 24"	2000LM	3000LM	4000LM	Ø 24"	2000LM	3000LM	4000LM	Ø 36"	3000LM	4500LM	6000LM	Ø 36"	3000LM	4500LM	6000LM	Ø 48"	4000LM	6000LM	8000LM	Ø 48"	4000LM	6000LM	8000LM	27K - 2700K 30K - 3000K 35K - 3500K 40K - 4000K	120V - 120V 277V - 277V UNV - 120V-277V 347V ² - 347V	D1 - 1% 0-10V DA ⁴ - DALI LDE1 ⁴ - Lutron Hi-Lume 1% Eco ELD1 - eldoLED 1% ECOdrive 0-10V ELD0 - eldoLED 0.1% SOLOdrive 0-10V	1C - 1 circuit ⁵ For other circuit configurations, consult factory.
OUTWARD/INWARD			OUTWARD																																							
	Low	Med	High		Low	Med	High																																			
Ø 24"	2000LM	3000LM	4000LM	Ø 24"	2000LM	3000LM	4000LM																																			
Ø 36"	3000LM	4500LM	6000LM	Ø 36"	3000LM	4500LM	6000LM																																			
Ø 48"	4000LM	6000LM	8000LM	Ø 48"	4000LM	6000LM	8000LM																																			
			² Available with D1 driver only.	³ PoE (Power-over-Ethernet) compatible. Consult factory for details. ⁴ On-site commissioning is required.																																						

MOUNTING														
DRIVER BOX ⁶	CANOPY FINISH	POWER	MOUNTING POINTS	MOUNTING CABLE LENGTH ¹¹										
RCD ⁷ - Round canopy driver box RDB - Remote driver box ⁶ For more information see page 5. ⁷ Not available with 347V.	W - Matte white AL - Aluminum B - Matte black CF# - Custom finish, specify RAL#	POC - Integrated suspension power-over-aircraft cable BAC - Black power cord + aircraft cable WAC - White power cord + aircraft cable	SC ⁸ - Single canopy MC ^{9,10} - Multiple canopies ⁸ Available up to 6000 lm only (or 3500 lm with Lutron drivers) when specified with the RCD option. ⁹ 3 Canopies provided for Folia 24". ¹⁰ 4 Canopies provided for other sizes. ¹⁰ With the RCD option, the type of each canopy may differ based on the selected lumen package and driver options. Consult factory for details.	<table border="1"> <tbody> <tr> <td>18IN - 18"</td> <td>72IN - 72"</td> </tr> <tr> <td>24IN - 24"</td> <td>96IN - 96"</td> </tr> <tr> <td>36IN - 36"</td> <td>120IN - 120"</td> </tr> <tr> <td>48IN - 48"</td> <td>#IN - Specify nominal length in inches</td> </tr> <tr> <td>60IN - 60"</td> <td></td> </tr> </tbody> </table> ¹¹ For single canopy option, the minimum required mounting heights are (distance from ceiling to top of fixture in inches):	18IN - 18"	72IN - 72"	24IN - 24"	96IN - 96"	36IN - 36"	120IN - 120"	48IN - 48"	#IN - Specify nominal length in inches	60IN - 60"	
18IN - 18"	72IN - 72"													
24IN - 24"	96IN - 96"													
36IN - 36"	120IN - 120"													
48IN - 48"	#IN - Specify nominal length in inches													
60IN - 60"														
				<table border="1"> <thead> <tr> <th>Fixture size</th> <th>Minimum height</th> </tr> </thead> <tbody> <tr> <td>Ø 24"</td> <td>min. height 15"</td> </tr> <tr> <td>Ø 36"</td> <td>min. height 22"</td> </tr> <tr> <td>Ø 48"</td> <td>min. height 29"</td> </tr> </tbody> </table>	Fixture size	Minimum height	Ø 24"	min. height 15"	Ø 36"	min. height 22"	Ø 48"	min. height 29"		
Fixture size	Minimum height													
Ø 24"	min. height 15"													
Ø 36"	min. height 22"													
Ø 48"	min. height 29"													

[See website for the Pendant Mounting Guide](#)

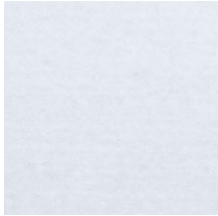
FINISH	FELT COLOR																																		
W - Matte white AL - Aluminum B - Matte black CF# - Custom finish, specify RAL#	<table border="1"> <thead> <tr> <th>STANDARD COLORS</th> <th>PREMIUM COLORS^{12,13}</th> </tr> </thead> <tbody> <tr> <td> <table border="1"> <tr><td>FWN</td><td>LVN</td></tr> <tr><td>FON</td><td>LEN</td></tr> <tr><td>ION</td><td>CYN</td></tr> <tr><td>TBN</td><td>PMN</td></tr> <tr><td>MDN</td><td>FGN</td></tr> </table> </td> <td> <table border="1"> <tr><td>PKN</td><td>CDN</td><td>IVN</td><td>BHN</td></tr> <tr><td>OGN</td><td>LCN</td><td>SLN</td><td>CFN</td></tr> <tr><td>LNN</td><td>SYN</td><td>CNN</td><td>GRN</td></tr> <tr><td>LMN</td><td>BLN</td><td>GHN</td><td>MON</td></tr> <tr><td>EGN</td><td>NVN</td><td>CLN</td><td>ESN</td></tr> </table> </td> </tr> </tbody> </table> ¹² Please consult factory for more color options. ¹³ Lead time may vary.	STANDARD COLORS	PREMIUM COLORS ^{12,13}	<table border="1"> <tr><td>FWN</td><td>LVN</td></tr> <tr><td>FON</td><td>LEN</td></tr> <tr><td>ION</td><td>CYN</td></tr> <tr><td>TBN</td><td>PMN</td></tr> <tr><td>MDN</td><td>FGN</td></tr> </table>	FWN	LVN	FON	LEN	ION	CYN	TBN	PMN	MDN	FGN	<table border="1"> <tr><td>PKN</td><td>CDN</td><td>IVN</td><td>BHN</td></tr> <tr><td>OGN</td><td>LCN</td><td>SLN</td><td>CFN</td></tr> <tr><td>LNN</td><td>SYN</td><td>CNN</td><td>GRN</td></tr> <tr><td>LMN</td><td>BLN</td><td>GHN</td><td>MON</td></tr> <tr><td>EGN</td><td>NVN</td><td>CLN</td><td>ESN</td></tr> </table>	PKN	CDN	IVN	BHN	OGN	LCN	SLN	CFN	LNN	SYN	CNN	GRN	LMN	BLN	GHN	MON	EGN	NVN	CLN	ESN
STANDARD COLORS	PREMIUM COLORS ^{12,13}																																		
<table border="1"> <tr><td>FWN</td><td>LVN</td></tr> <tr><td>FON</td><td>LEN</td></tr> <tr><td>ION</td><td>CYN</td></tr> <tr><td>TBN</td><td>PMN</td></tr> <tr><td>MDN</td><td>FGN</td></tr> </table>	FWN	LVN	FON	LEN	ION	CYN	TBN	PMN	MDN	FGN	<table border="1"> <tr><td>PKN</td><td>CDN</td><td>IVN</td><td>BHN</td></tr> <tr><td>OGN</td><td>LCN</td><td>SLN</td><td>CFN</td></tr> <tr><td>LNN</td><td>SYN</td><td>CNN</td><td>GRN</td></tr> <tr><td>LMN</td><td>BLN</td><td>GHN</td><td>MON</td></tr> <tr><td>EGN</td><td>NVN</td><td>CLN</td><td>ESN</td></tr> </table>	PKN	CDN	IVN	BHN	OGN	LCN	SLN	CFN	LNN	SYN	CNN	GRN	LMN	BLN	GHN	MON	EGN	NVN	CLN	ESN				
FWN	LVN																																		
FON	LEN																																		
ION	CYN																																		
TBN	PMN																																		
MDN	FGN																																		
PKN	CDN	IVN	BHN																																
OGN	LCN	SLN	CFN																																
LNN	SYN	CNN	GRN																																
LMN	BLN	GHN	MON																																
EGN	NVN	CLN	ESN																																

FOLIA ACOUSTIX

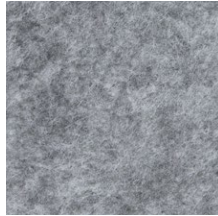
LUMENWERX

PENDANT
STATIC WHITE

Standard Color Options



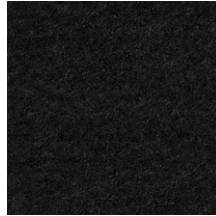
FWN - FROST WHITE



FON - FOG



ION - IRON



TBN - TRUE BLACK



MDN - MIDNIGHT BLUE



LVN - LAVENDER



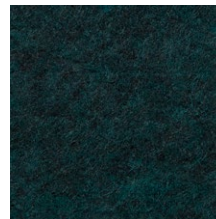
LEN - LATTE



CYN - CHERRY



PMN - PLUM



FGN - FOREST GREEN

Premium Color Options*



PKN - PAPRIKA



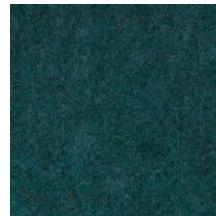
OGN - ORANGE



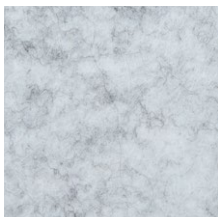
LNN - LEMON



LMN - LIME



EGN - EVERGREEN



CDN - CLOUDY



LCN - LICHEN



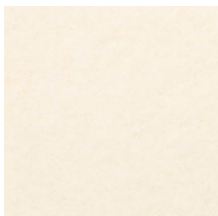
SYN - SKY



BLN - BLUEBERRY



NVN - NAVY



IVN - IVORY



SLN - STEEL



CNN - CARBON



GHN - GRAPHITE



CLN - CHARCOAL



BHN - BLUSH



CFN - CAFÉ



GRN - GREIGE



MON - MOCHA



ESN - ESPRESSO

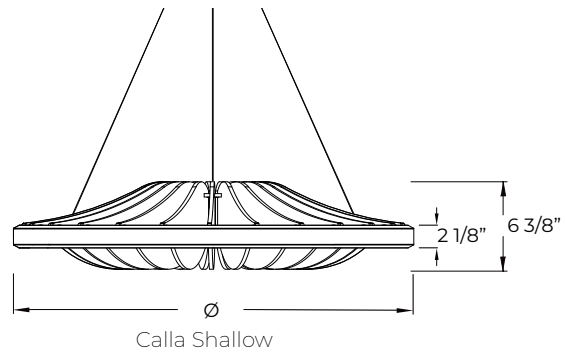
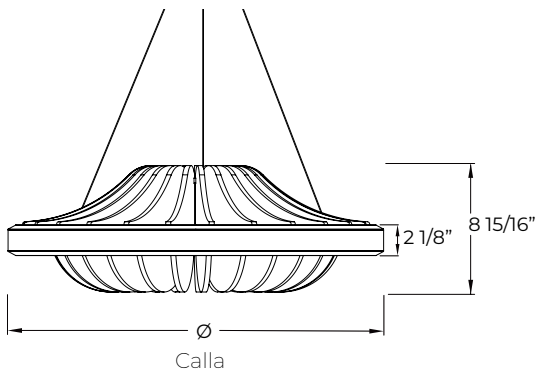
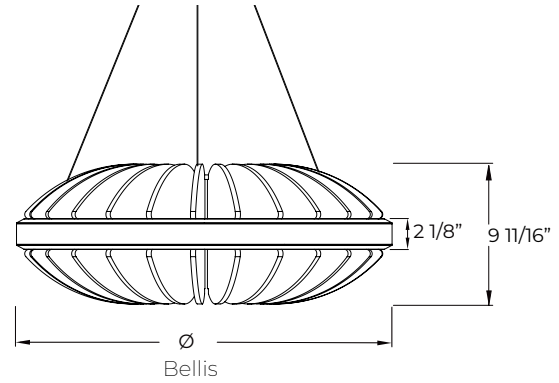
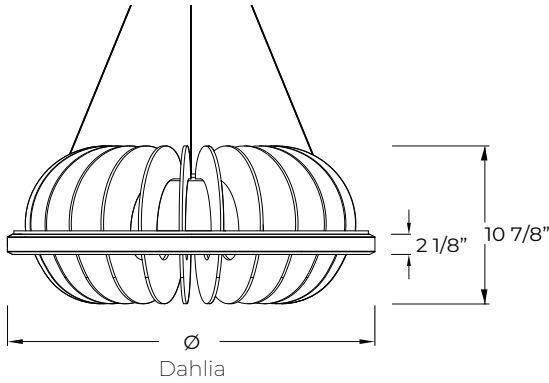
*Please consult factory
for more color options.
*Lead time may vary.

FOLIA ACOUSTIX

LUMENWERX

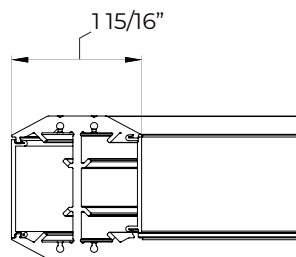
PENDANT
STATIC WHITE

Dimensions

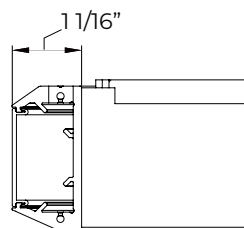


Fixture size	Ø (Diameter)	
	OUTWARD / INWARD	OUTWARD
Ø 24"	Ø 26 1/16"	Ø 24"
Ø 36"	Ø 37 7/16"	Ø 36"
Ø 48"	Ø 49 13/16"	Ø 48"

Section Views



Outward/Inward



Outward

FOLIA ACOUSTIX

LUMENWERX

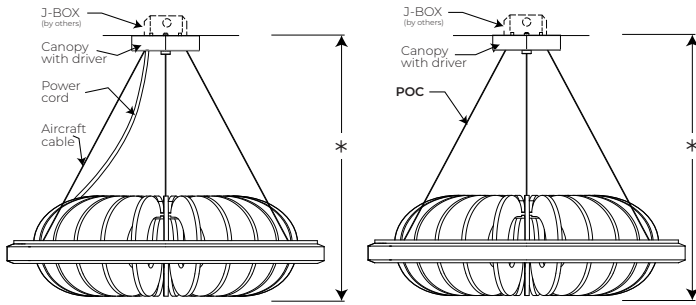
PENDANT
STATIC WHITE

Mounting Options

RCD - ROUND CANOPY DRIVER BOX

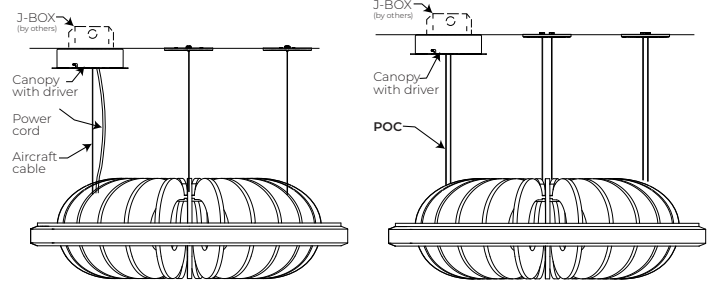
SC - SINGLE CANOPY

MC - MULTIPLE CANOPIES



AC - Aircraft cable

POC - Power-over-aircraft cable



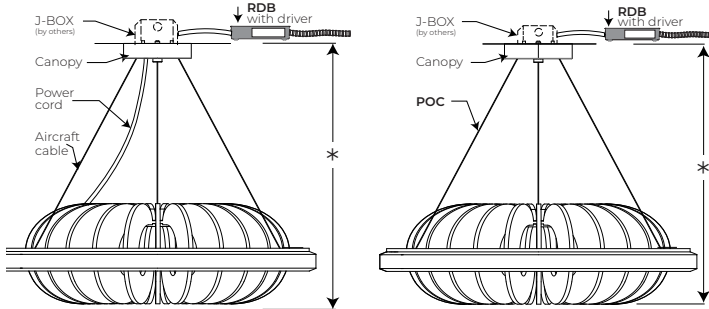
AC - Aircraft cable

POC - Power-over-aircraft cable

RDB - REMOTE DRIVER BOX

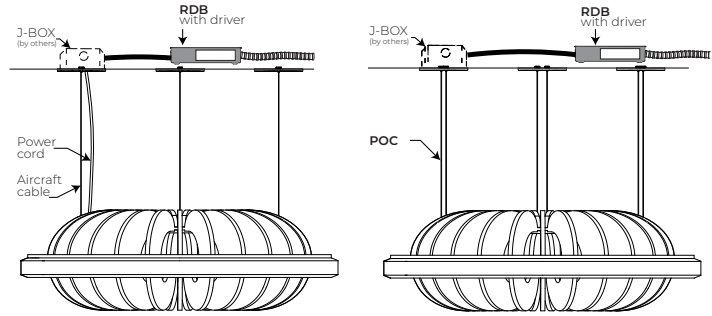
SC - SINGLE CANOPY

MC - MULTIPLE CANOPIES



AC - Aircraft cable

POC - Power-over-aircraft cable



AC - Aircraft cable

POC - Power-over-aircraft cable

*minimum height

For single canopy option, the minimum required mounting heights:

Fixture size	* Minimum height
Ø 24"	min. height 15"
Ø 36"	min. height 22"
Ø 48"	min. height 29"

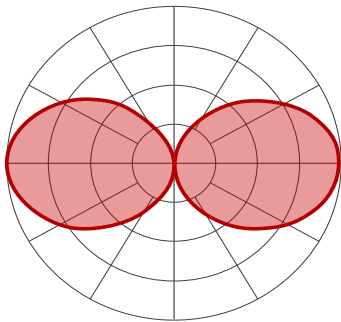
FOLIA ACOUSTIX

PENDANT STATIC WHITE

LUMENWERX

Photometrics

Outward/Inward



Delivered lumens at 40K at 90 CRI

∅ 24"

LED output	WATTS	NOMINAL DELIVERED LUMENS	LPW
Low	42	2000	48
Medium	65.8	3000	46
High	90.6	4000	44

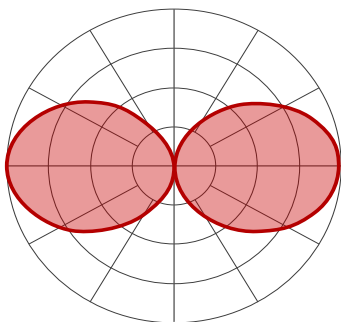
∅ 36"

LED output	WATTS	NOMINAL DELIVERED LUMENS	LPW
Low	63.2	3000	48
Medium	99	4500	46
High	136.4	6000	44

∅ 48"

LED output	WATTS	NOMINAL DELIVERED LUMENS	LPW
Low	84.2	4000	48
Medium	131.4	6000	46
High	181.2	8000	44

Outward



Delivered lumens at 40K at 90 CRI

∅ 24"

LED output	WATTS	NOMINAL DELIVERED LUMENS	LPW
Low	21	2000	95
Medium	32.9	3000	91
High	45.3	4000	88

∅ 36"

LED output	WATTS	NOMINAL DELIVERED LUMENS	LPW
Low	31.6	3000	95
Medium	49.5	4500	91
High	68.2	6000	88

∅ 48"

LED output	WATTS	NOMINAL DELIVERED LUMENS	LPW
Low	42.1	4000	95
Medium	65.7	6000	91
High	90.6	8000	88

Multiplier @ CRI 90

CCT (K)	WATTS	LPW
2700	1.08	0.92
3000	1.05	0.96
3500	1.02	0.98
4000	1.00	1.00

PENDANT
STATIC WHITE

Acoustic Calculator

Using the Lumenwerx Acoustix Value Calculator table, you can determine the number of acoustic luminaires required in a space by fixture type. We have three levels of recommended sound reduction: good, better, and best. Choosing one of these options will reduce the sound accordingly. The best option indicates the best acoustic improvement. Calculations are based on a standard ceiling height of 9 feet.



- 1 Calculate the square feet of your room (L x W).
- 2 Choose the level of acoustical improvement you are looking for, and find the corresponding value based on your room dimension and luminaire configuration.

% in reduction in reverberation time		
😊	GOOD	25%
😊😊	BETTER	40%
😊😊😊	BEST	50%

LENGTH	DIAMETER	Room dimensions under 300 sq ft			Room dimensions over 300 sq ft		
		GOOD 😊	BETTER 😊😊	BEST 😊😊😊	GOOD 😊	BETTER 😊😊	BEST 😊😊😊
CALLA	Ø 24"	35	20	15	66	45	30
	Ø 36"	81	46	35	125	71	53
	Ø 48"	147	84	63	228	130	98
CALLA SHALLOW	Ø 24"	25	14	11	39	22	17
	Ø 36"	58	32	25	89	50	39
	Ø 48"	105	59	46	163	91	72
BELLIS	Ø 24"	40	25	20	70	50	35
	Ø 36"	92	58	46	143	89	71
	Ø 48"	168	105	84	260	163	130
DAHLIA	Ø 24"	40	25	20	70	50	35
	Ø 36"	92	58	46	143	89	71
	Ø 48"	168	105	84	260	163	130

- 3 Use the Lumenwerx Acoustix Value Formula to determine the number of luminaires needed in the room.

$$\text{Square feet} \div \text{Value} = \text{Number of luminaires}$$

Example:

Luminaire: Folia Calla Ø 24"
Room square feet: L: 20 ft x W: 18 ft = 360 sq ft
Desired acoustical improvement: Better = 45
Number of luminaires needed in the room: 360 ÷ 45 = 8 luminaires

NOTES:

- Lumenwerx acoustic calculators were developed to act as a guide. For precise acoustic performance in a space, please consult an acoustician.

FOLIA ACOUSTIX

PENDANT STATIC WHITE

LUMENWERX

Technical Specifications

OPTIC

Uniform Lambertian Optic (ULO) - Thermoformed from impact-modified white PMMA, the ULO provides even luminosity, with up to 88% transmission.

LIGHT SOURCE

Custom array of mid-flux LEDs are mounted directly to the housing for optimal thermal performance. Available in 2700K, 3000K, 3500K and 4000K with 90 CRI and elevated R9 value. Color consistency is maintained to 3 SDCM. LEDs are operated at a reduced drive current to optimize efficacy and lumen maintenance.

All LEDs have been tested in accordance with IESNA LM-80-08 and results have shown L80 lumen maintenance are greater than 60,000 hours. Absolute product photometry is measured and presented in accordance with IESNA LM-79, unless otherwise indicated.



WELL for Light - The WELL building standard focuses on light quality in several features. There are three categories that are fully attributed to the construction and features of a luminaire. In WELL V1, it's Feature 54 Circadian Lighting, Feature 55 Glare Control, and Feature 58 Color Quality. In WELL V2, it's Feature L03 Circadian Lighting, Feature L04 Glare Control, and Feature L07 Electric Light Quality.

This fixture meets Features:

- Feature 58 or L07 when 90CRI is selected

All LED drivers used at Lumenwerx are deemed to have a low risk level of flicker, of 5 % or less below 90Hz operational as defined by IEEE standard 1789-2015 LED.



WELL for Sound - This luminaire is recommended for use as an acoustical absorption surface to limit reverberation times (RT) in a given space. This luminaire contributes to noise reduction and vibration dampening to promote focus and concentration. Reverberation needs to be calculated in each space based on the materials used.



WELL for Mind - This luminaire meets WELL for mind as it is a human centric luminaire offering quality light, excellent color, smooth optics, and a sound diminishing element. If any of these features are incorporated in a luminaire, it can improve the ability to focus, concentrate, and persist longer on a given task. This fixture harmoniously operates in a space to assist the mind.

For more information please contact well@lumenwerx.com.

ELECTRICAL

Factory-set, adjustable output current LED driver with universal (120-277VAC) input. Dimmable from 100% to 1% with 0-10V dimming control. Rated life (90% survivorship) of 50,000 hours at 50°C max. ambient (and 70°C max. case) temperature. At maximum driver load: Efficiency >84%, PF >0.9, THD <20%. Other specifiable options include Lutron Hi-Lume 1% EcoSystem, eldoLED 1% ECOdrive 0-10V, eldoLED 0.1% SOLOdrive 0-10V, and DALI protocol drivers. All of our standard 0-10V drivers are NEMA 410 compliant.

PoE

Depending on the PoE manufacturer selected, Lumenwerx will install the node in factory as either integral to the luminaire or as a remote module. Factory programming of the PoE node may or may not enable the following functionalities: lumen package, Duo (tunable white), Quadro (RGBW) emergency battery backup, and sensor integration. These must be addressed and evaluated on a case-by-case basis.

FINISH

Interior - 95% reflective, matte white powder coating

Exterior - Matte white, matte black or aluminum powder coating. Custom finishes are also available.

ACOUSTIC FINISH

Material is 100% polyester containing up to 50% of recycled plastic bottles (PET) with an ASTM E-84 Class A fire rating and is moisture resistant.

CARE

Remove dust and debris with a clean, dry, soft, lint-free cloth, or vacuum.

FOLIA ACOUSTIX

LUMENWERX

PENDANT STATIC WHITE

CONSTRUCTION

Housing - Rolled and seamlessly welded aluminum extrusion, wide variety of colored powder coating

Diffuser - Uniform Lambertian optic, co-extruded flexible polycarbonate satine finished lens

WEIGHT

	Outward/Inward			Outward		
	Ø 24"	Ø 36"	Ø 48"	Ø 24"	Ø 36"	Ø 48"
Calla	13.5 lbs 6.1 Kg	22 lbs 9.9 Kg	50 lbs 22.6 Kg	8 lbs 3.6 Kg	15 lbs 6.8 Kg	43 lbs 19.5
Calla Shallow	12 lbs 5.4 Kg	20.7 lbs 9.3 Kg	49 lbs 22.2 Kg	7.5 lbs 3.4	14.5 lbs 6.5 Kg	41 lbs 18.5 Kg
Bellis	15 lbs 6.8 Kg	25 lbs 11.3 Kg	54.7 lbs 24.8 Kg	10 lbs 4.5 Kg	17.5 lbs 7.9 Kg	45 lbs 20.4 Kg
Dahlia	14.1 lbs 6.3 Kg	24 lbs 10.8 Kg	52 lbs 23.5 Kg	9.1 lbs 4.1 Kg	16 lbs 7.25 Kg	44 lbs 19.9 Kg

ENVIRONMENT

Ambient temperature at fixture location shall not exceed 30°C/86°F. For indoor use only.

CERTIFICATION

ETL - Rated for Indoor Dry/Damp locations. Conforms to UL Standard 1598 and certified to CAN/CSA Standard C22.2 No. 250.0.

WARRANTY

Lumenwerx provides a five-year limited warranty of electrical and mechanical performance of the luminaires, including the LED boards, drivers, and auxiliary electronics. Lumenwerx will repair or replace defective luminaires or components at our discretion, provided they have been installed and operated in accordance with our specifications. Other limitations apply, please refer to the full warranty on our website.