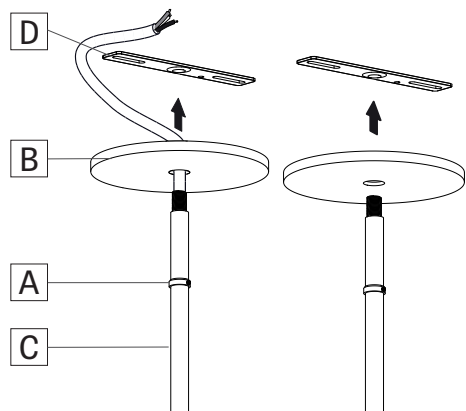


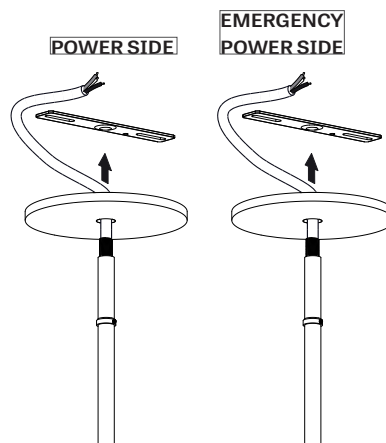
NOTE: Wire dimming conductors as Class 1

1 SINGLE FIXTURE



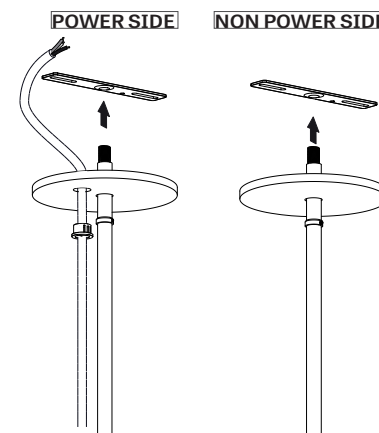
Make sure that the power to the fixture is turned off. Slide the slip ring (A) and the canopy (B) onto the stem (C) and leave some space. Screw the junction box crossbar (D) onto the stem (C).

2 FOR EMERGENCY CIRCUIT



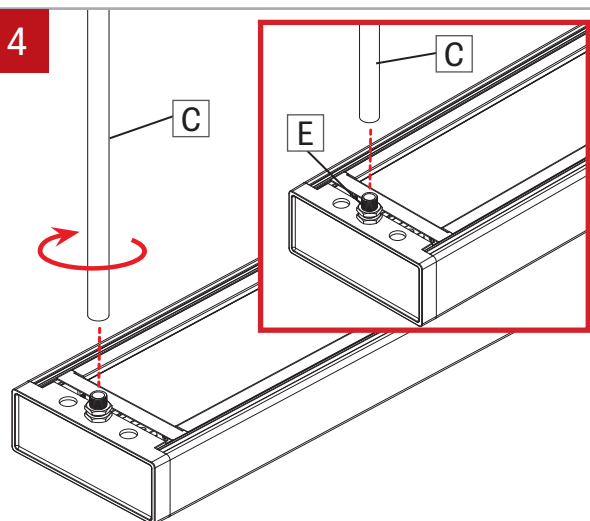
In the case where an **emergency circuit** is required, the wires to the emergency circuit will be passed through a second stem.

3 FOR FIXTURE IN GRID CEILING



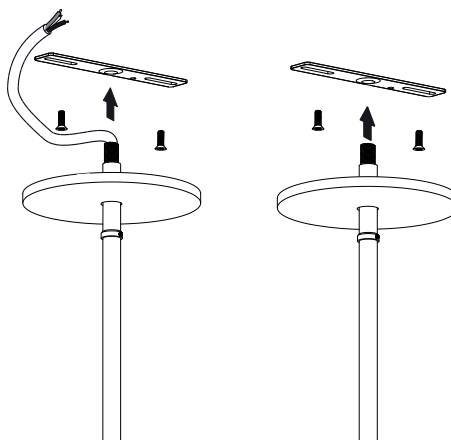
In the case where the luminaire is installed on a **grid ceiling**, the power cable will pass outside of the stem.

4



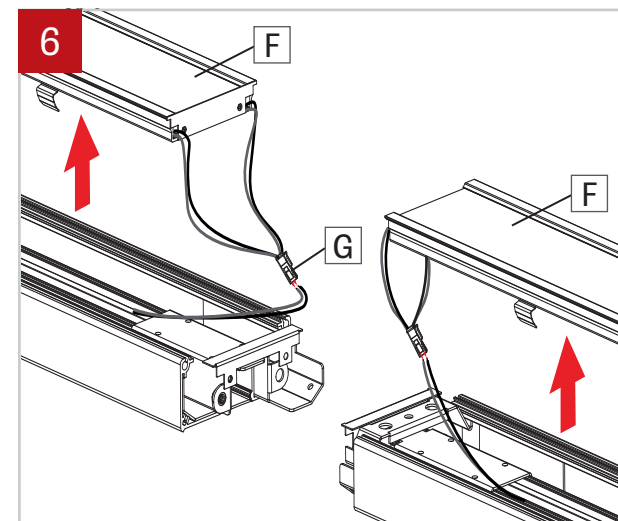
Screw the stems (C) onto the nipple at the ends of the fixture (E).

5 CONTINUOUS SYSTEM



For a continuous system, repeat steps 1 to 3 for all mounting hardware.

6



Remove the top cartridges (F) by pulling up them and disconnect the quick connectors (G). Keep the cartridges (F) in a safe place.

