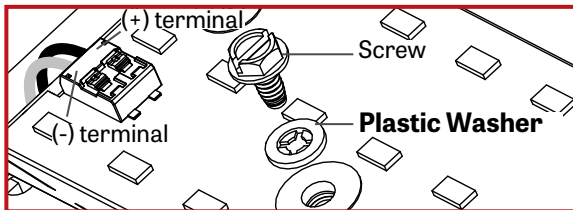


NOTE: Wire dimming conductors as Class 1



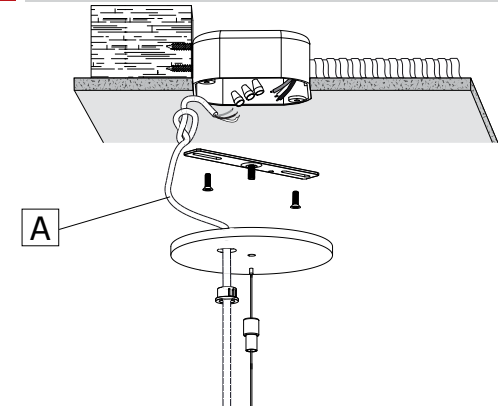
Reflector must be reinstalled with the screw and plastic washer that was originally supplied. If not, it can result in an electrical failure
Make sure to reconnect the wires to the LED boards correctly



This product must be installed in accordance with the National Electrical Code and all applicable local codes, by a person familiar with the construction and operation of the product, and the hazards involved. proper grounding is required for safety.

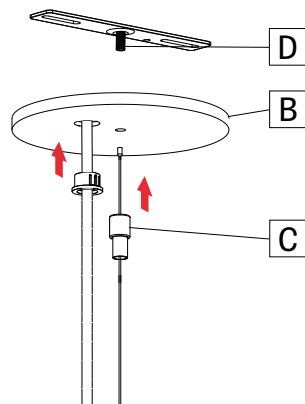
Ce produit doit être installé suivant le code national de l'électricité, ainsi que tous les codes locaux applicables, par une personne familière avec la construction et le fonctionnement du produit, ainsi que tous les risques qui y sont associés. la mise à terre électrique est obligatoire pour la sécurité.

1 SINGLE FIXTURE



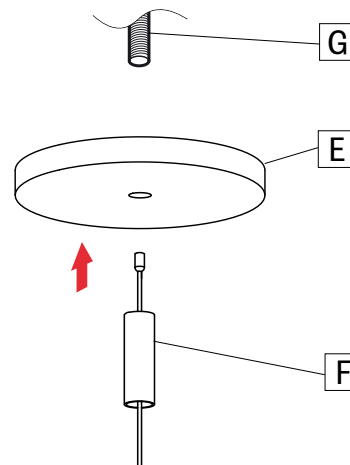
Locate ceiling mounting points according to supplied client drawing. Make a knot in the power cord (A) and then connect it to the ceiling power feed. **Warning : Power must come from Single branch circuit.**

2 POWER SIDE



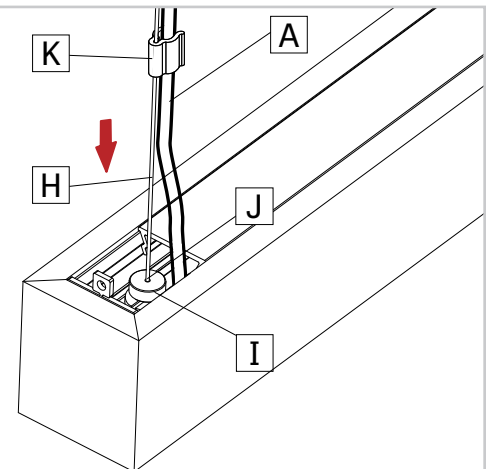
Secure canopy (B) with slip ring (C) on threaded rod (D).

3 NON-POWER SIDE



Secure canopy (E) with cable coupler (F) on crimp strud (1/4"-20) (G) (by other).

4



Insert the aircraft cable (H) into the griplock (I). Adjust the cable (H) length by pushing the feeder tube (J). Secure power cord (A) to aircraft cable (H) with plastic clip (K).