


MINI PIVOT

Compact Track with
Powerful Precision



Lumenwerx

Introducing Mini Pivot

Mini Pivot is a modular track lighting system, initially based on Pivot, but developed as a beautiful, intelligent system on its own.

Recessed

Surface

Pendant



DUET

SOLO

DOT

PRISM

CYLINDER

HLO
(HIGH-EFFICIENCY
LAMBERTIAN OPTIC)

GLOBE

Mini Pivot Features



Recessed, Surface, Pendant

11+ Modules

Compact 0.9" in width

Linx or Corner Connectors

Pendant mount modules can be direct and indirect

Mini Pivot is a cohesive track lighting system composed of an array of 11+ modules that offer unlimited opportunities to illuminate with precise and powerful lighting solutions.

Mini Pivot is offered as a recessed, surface, or pendant-mounted system with all luminaires distributing direct light. The pendant option, in particular, can accommodate modules on both its direct and indirect sides.

Modules easily attach to the track with a simple click. For added security, weightier fixtures are designed with a secondary locking mechanism.

Blanks modules add a finishing touch by masking unlit track modules.

Mountings



RECESSED

Mini Pivot recessed is a small track system that doesn't take up much plenum or wall depth at just 1.5 inches. Mini Pivot recessed can be fitted into walls or ceilings with ease.



WALL TO CEILING

Mini Pivot Recessed Wall to Ceiling offers clean corners on the vertical plain.



SURFACE

Mini Pivot surface is a small scale track system that uses Corner connectors to join tracks, offering added flexibility for creating patterns.



SURFACE ON GRID

Mini Pivot Surface on Grid is a lock and clip system that can move with infinite rotation and angles. Compatible with Tegular and other traditional grid systems.



PENDANT

Mini Pivot pendant allows for your modules and tracks to be placed in direct and indirect direction, adding dimension to an overall lighting design.

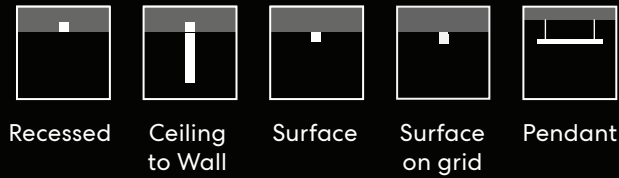


Upper center to upper right: Mini Pivot Petite Cylinder, Dot 1.5", and Prism mounted on Mini Pivot Recessed Track
Left: Mini Pivot HLO/Blanks mounted on Mini Pivot Recessed Track

Mini Pivot's modules **work together** to deliver the solutions you require.

Versatility

TRACK MOUNTING OPTIONS



DISTRIBUTIONS



COLOR TEMPERATURES



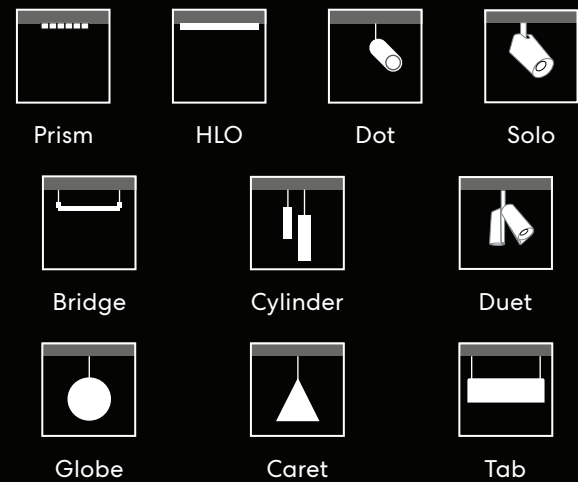
COLOR RENDERING OPTIONS

80 CRI, 90 CRI and 95 CRI

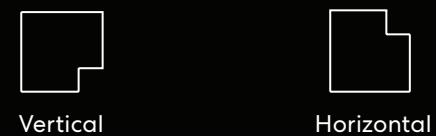
PRISM LOUVER FINISHES



MODULES



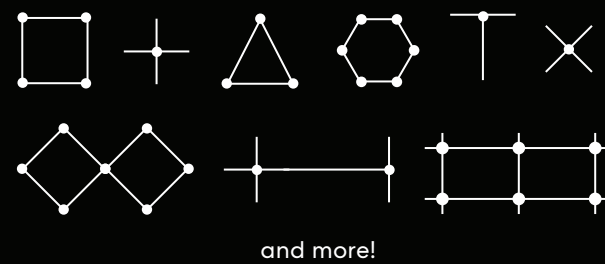
SURFACE & RECESSED CORNERS



LINX FOR PENDANT



CUSTOM SHAPES



Mini Pivot

PRISM, HLO, BLANKS

The Mini Pivot Prism luminaire, equipped with our Diamond Prism Optic (DPO), emits a luxurious quality of light, soft and glare-free, wrapping around subjects with subtle graduated shadows.

The Mini Pivot HLO luminaire represents a premium everyday solution with its understated elegance and distribution of clean, uniform light with smooth beam edges.

Blanks are used to mask unlit tracks. With their unassuming appearance, they can enhance the visual interest of a space or quiet down an area. For precise fittings, they can be easily cut in the field.

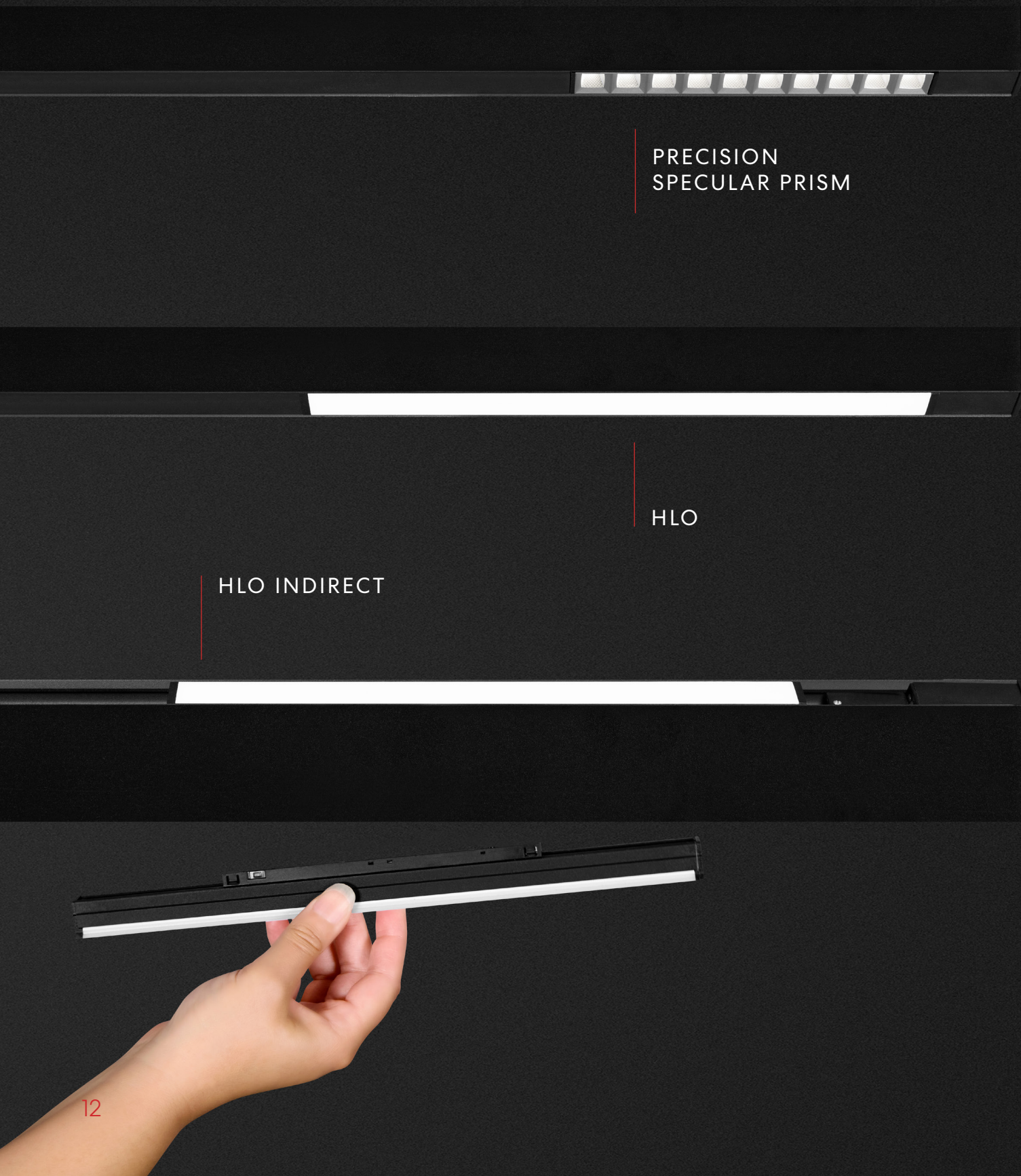
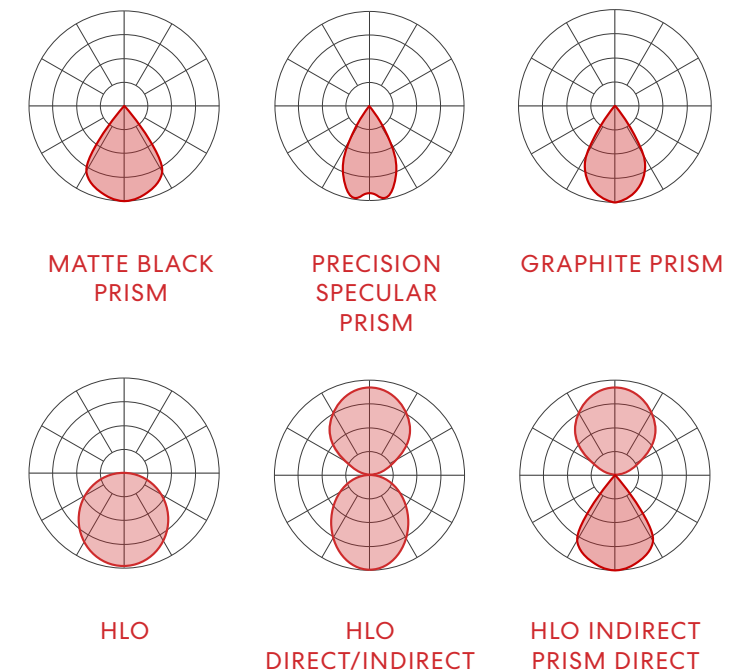
Low UGR < 10

Up to 700 lm/ft

Prism: 7", 14", 28"

3 Prism Colors

HLO: 1', 2', 3', 4'



Left: Mini Pivot HLO, Prism, Blanks, and Dot 1.5" modules mounted on Mini Pivot Surface on Grid Track with Corner connectors. Right: Mini Pivot HLO/Blanks mounted on Mini Pivot Recessed Track.

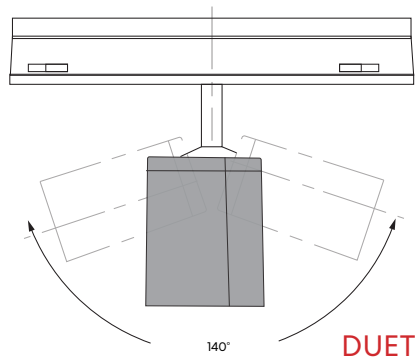
Mini Pivot - A **multitasking maven** that rules the grid.



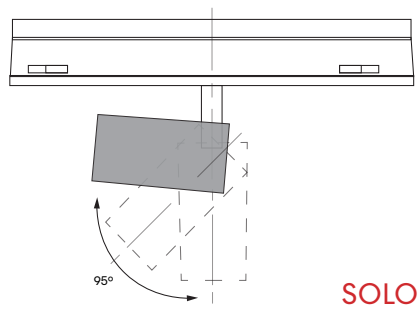
Mini Pivot

DUET & SOLO

The Duet, a point source module with twin track heads, allows for lighting in two directions simultaneously with each head able to tilt up to 70 degrees.



The Solo has the possibility to flex up to 95 degrees to create an uplight in the direct position or a downlight in the indirect position.



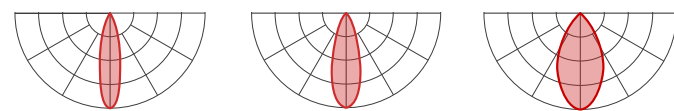
Duet: 700 lumens

Solo: 350 lumens

3 beam spreads
25, 35, 45 degrees

Compact

80 & 90 CRI



25°

35°

45°





Mini Pivot Duet's simultaneous and overlapping layers of light create a **soft illumination** of the artworks.

Center: Mini Pivot Pendant Track with Mini Pivot HLO mounted on indirect side and Mini Pivot Duet mounted on direct side. Upper left and upper right: Mini Pivot Solo mounted on Mini Pivot Recessed Track.



DOT

PETITE
CYLINDER

Mini Pivot

DOT, DOT CYLINDER &
PETITE CYLINDER

Mini Pivot Dot and Dot Cylinder modules are individual mounting systems usable on their own as single lighting fixtures or as part of a broader layout within the Mini Pivot track system.

Mini Pivot Petite Cylinder is meticulously detailed with a slim strain relief along with bevel or glow ring baffle style options. Optically, it benefits from our CircaFlex™ beam-splitting technology to deliver precise lighting with even distribution.

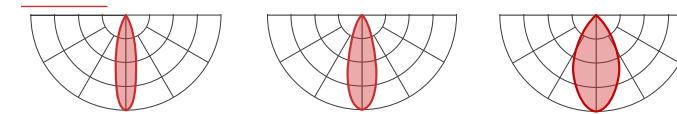
DOT, DOT CYLINDER

2 sizes: 1.5" and 2"

up to 1000 lm

80, 90, 95 CRI

3 beam spreads
20, 35, 50 degrees



20°

35°

50°

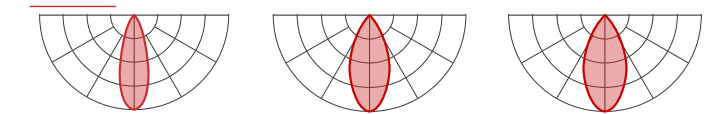
PETITE CYLINDER

1"

up to 1000 lm

80, 90 CRI

3 beam spreads
35, 40, 45 degrees



35°

40°

45°



Upper left: Mini Pivot Dot mounted on Mini
Pivot Recessed Track with Corner connectors
Upper left to upper center: Aera downlights

Pivot Dot and Aera luminaires complement
each other for a **sharp, tailored fit.**

Mini Pivot

CARET, GLOBE, TAB ACOUSTIX

Timeless in appearance and flexible in function, the **Mini Pivot Caret** embodies the simple decorative beauty of geometric design and the sophisticated power of innovative technology. The Caret is equipped with our Unity Pointed (UP) technology, which delivers lens brightness uniformity. Offered in 8”.

Mini Pivot Globe fixtures offer universal appeal and uniform illumination. Their spherical forms are fully lit with our Isotropic Radiant Optic™ (IRO™) distributing light smoothly and evenly in all directions. Pivot Mini Globe is offered in 3 sizes: 4”, 6’ and 8” diameter.

Mini Pivot Tab Acoustix is an acoustic pendant that provides spaces with quality light, effective acoustic control, a touch of softness with its rounded corners, and a punch of color thanks to its sound-absorbing felt panel (made from PET resin), which is available in close to 25 standard and premium colors. Offered in 2’, 3’ and 4’ sections.



CARET



GLOBE



TAB ACOUSTIX

Throughout: Mini Pivot Globe, Solo, Prism,
and Blanks modules mounted on Mini Pivot
Recessed Track with Corner connectors.
Right: Mini Pivot Dot 1.5" and Prism mounted
on Wall to Ceiling Track
Upper right: Aera pairs

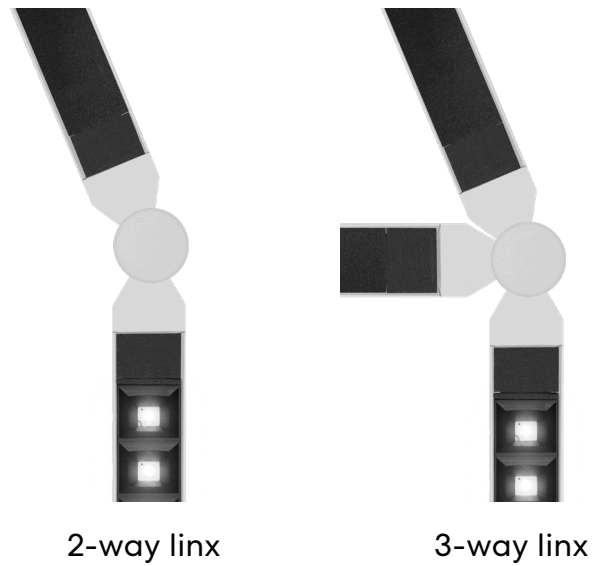
The Mini Pivot system defines the
functions of a space with **ambient,**
task, and accent lighting.



Linx

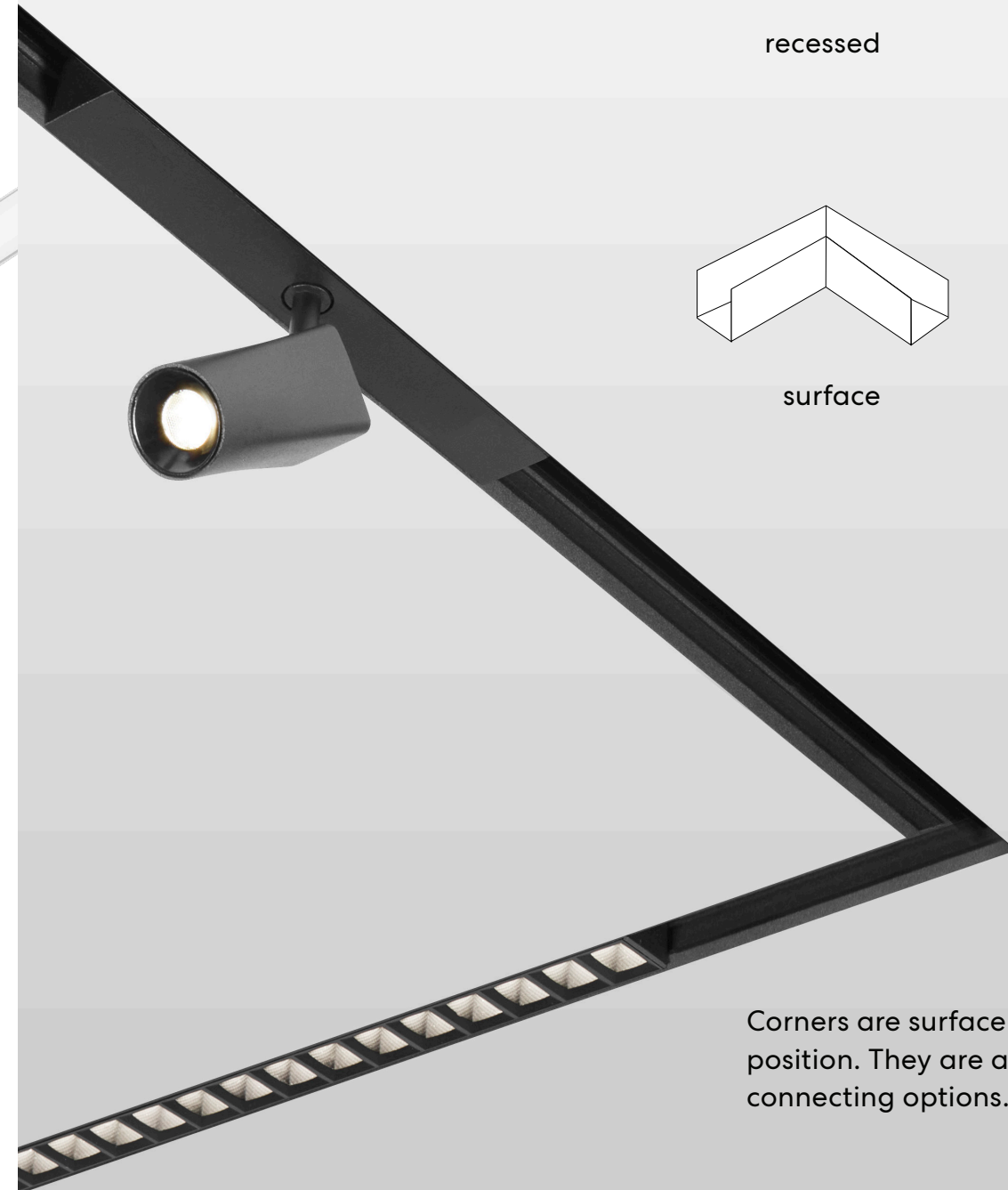
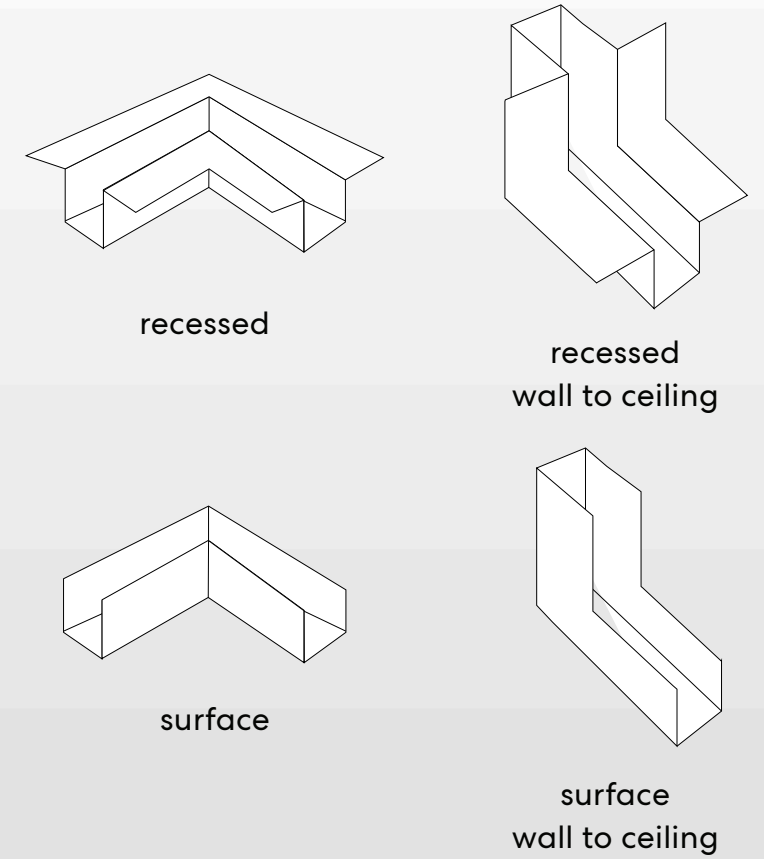
ADJUSTABLE

Linx are pendant mounted and have a 60- to 180-degree movement range with 2-way, 3-way, and 4-way horizontal options.



Corner

FIXED



Corners are surface mounted and fixed in position. They are available with 2-way connecting options.

Upper left to upper right: Mini Pivot HLO/
Blanks mounted on Mini Pivot Pendant Track
Pattern with 2-way, 3-way, and 4-way Linx
connectors

Upper left: Mini Pivot Prism and Caret
mounted on Mini Pivot Recessed Track

Upper right: Mini Pivot Prism mounted on Mini
Pivot Recessed Track

Design a light pattern that turns
fixtures **into features.**



The Bridge

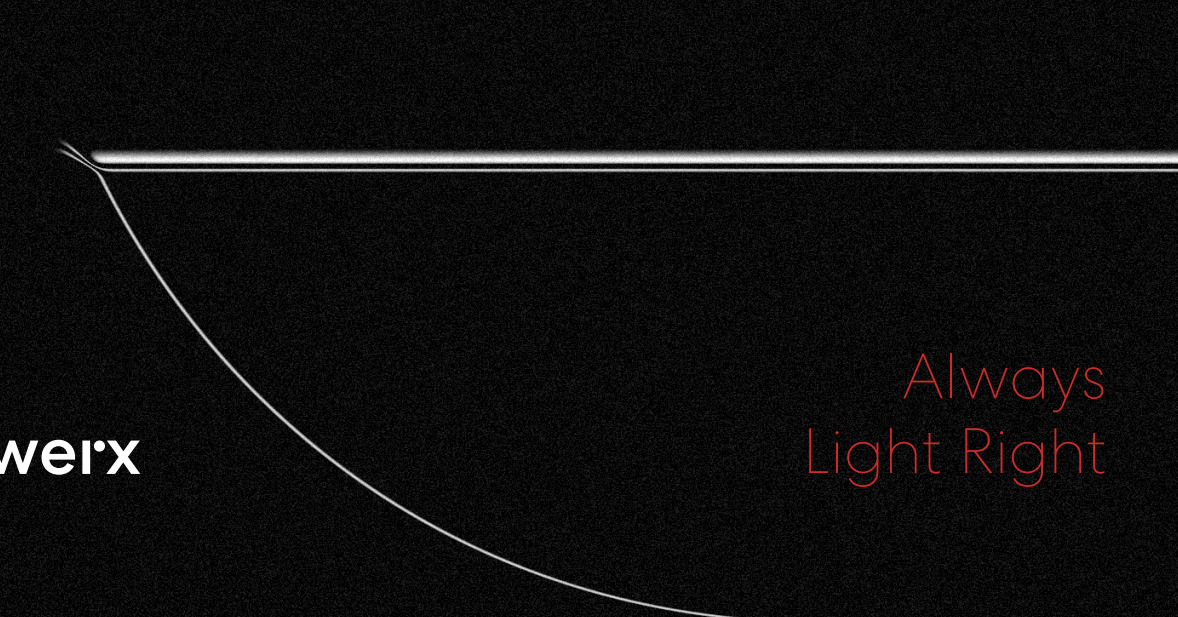
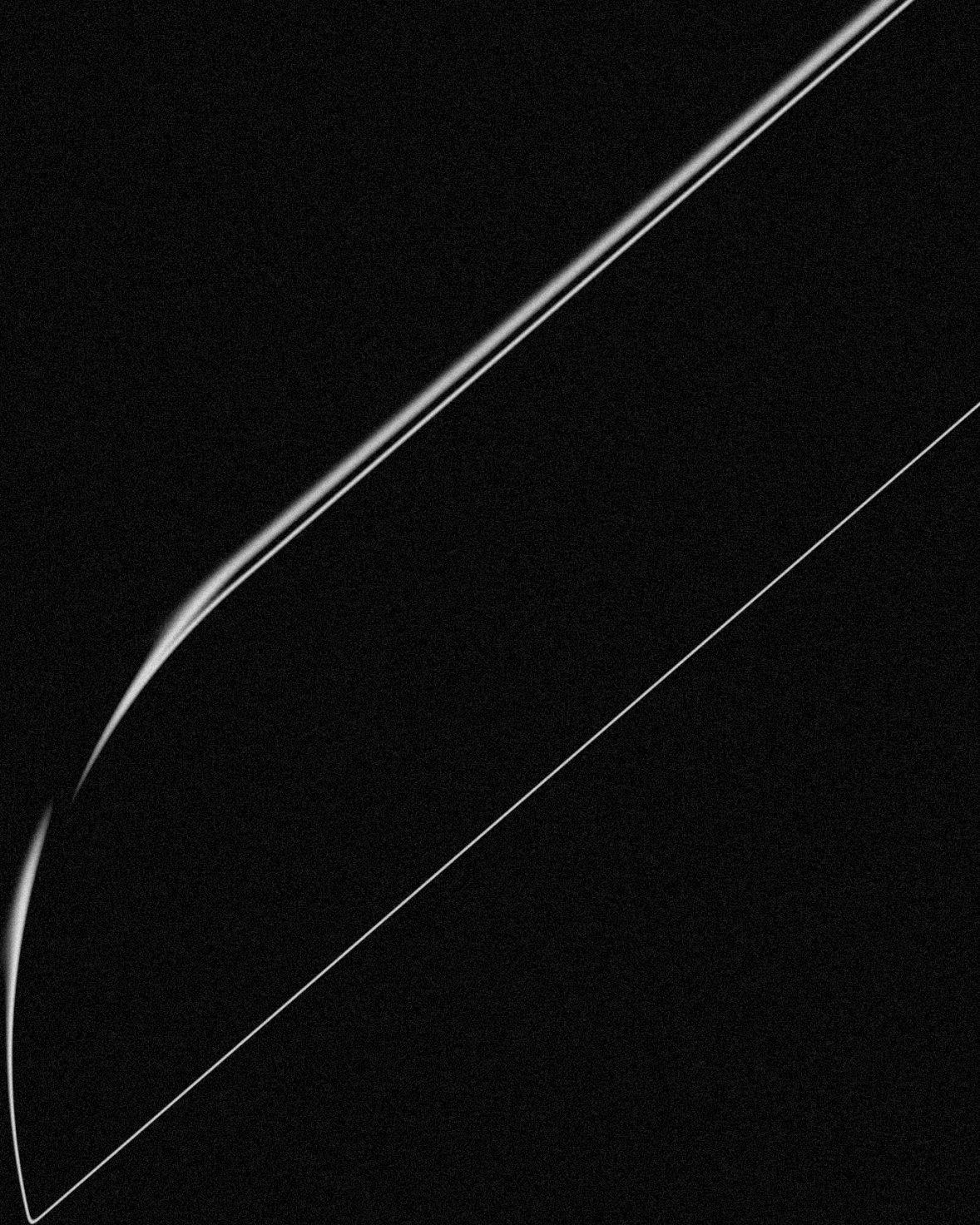


The Bridge is an unpowered module that can tap into the Mini Pivot track to create a powered bridge over two track rows. The Mini Pivot Bridge allows for the placement of luminaire modules in between tracks to offer direct illumination where desired without running a full track. The Bridge offers an added dimension, as well as the opportunity to create more shapes, patterns, and design possibilities.



Right: Mini Pivot Dot 1.5" mounted on Mini Pivot Pendant Track with Mini Pivot Prism and HLO mounted on Bridge modules
Left: Mini Pivot Linear with Prism, HLO, and Blanks

Bridge modules mount across two tracks and tap into the power system to serve **as additional tracks.**



 **Lumenwerx**

Always
Light Right