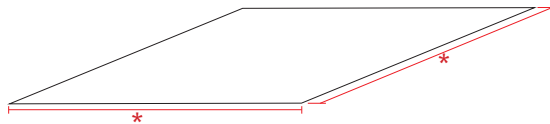


REMOTE DRIVER

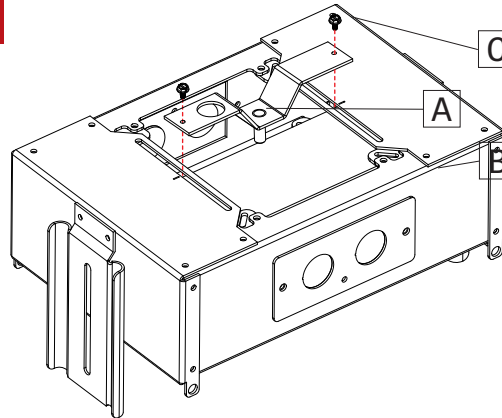
DRYWALL REMOTE DRIVER - INSTALLATION

1



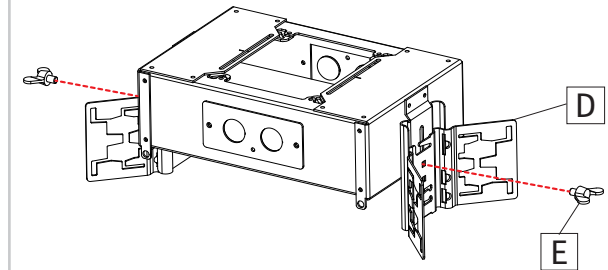
If the drywall ceiling is already installed, make a hole in the ceiling large enough to be able to fix the driver box between two studs (*).

2



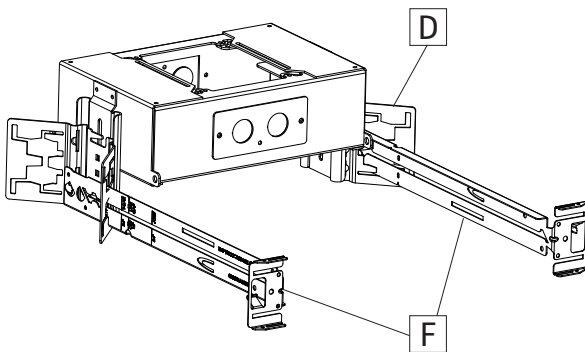
Unscrew and remove the cable coupler bracket (A) from the driver remote box (B). Keep the screws (C) and the bracket (A) in a safe place.

3



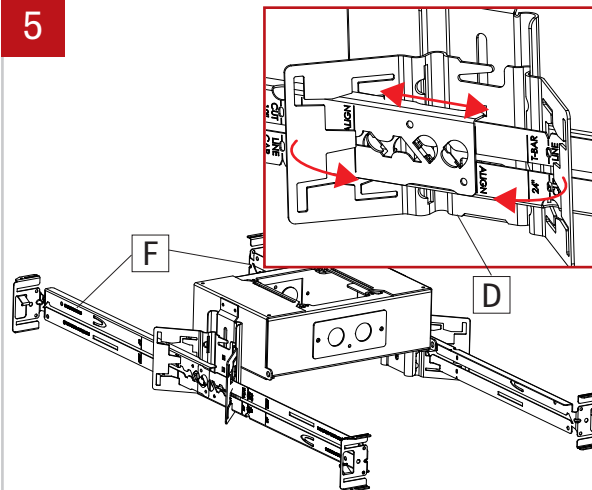
Adjust butterfly bracket (D) to the right height and fix it with the provided butterfly screws (E).

4



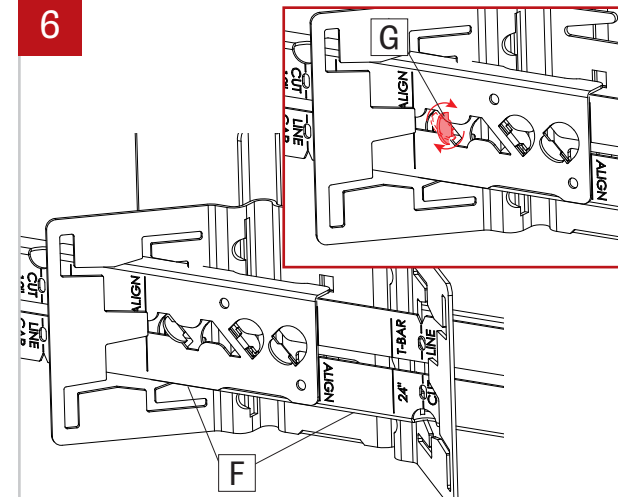
Slide the first two adjustable arms (F) through one of the suitable location in the butterfly bracket (D).

5



Align the end of the second adjustable arm (F) with the align mark on the other. Then slide them together to adjust them while squeezing the butterfly bracket (D). Refer on the mark of the T-bar if necessary.

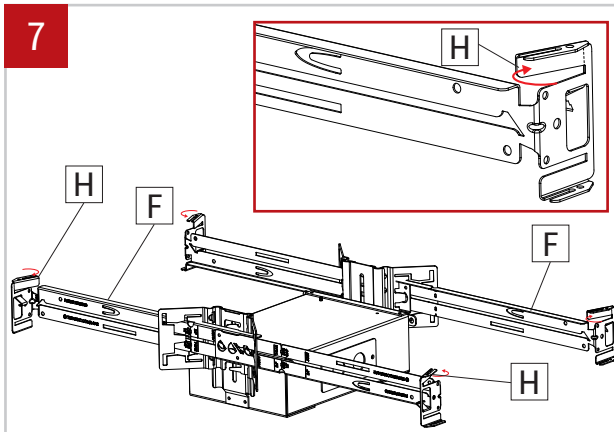
6



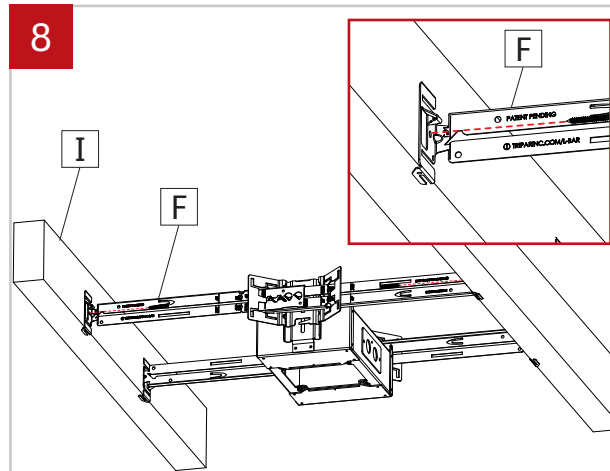
Lock and secure the bracket (F) by turning the lock tabs (G) to the vertical position.

REMOTE DRIVER

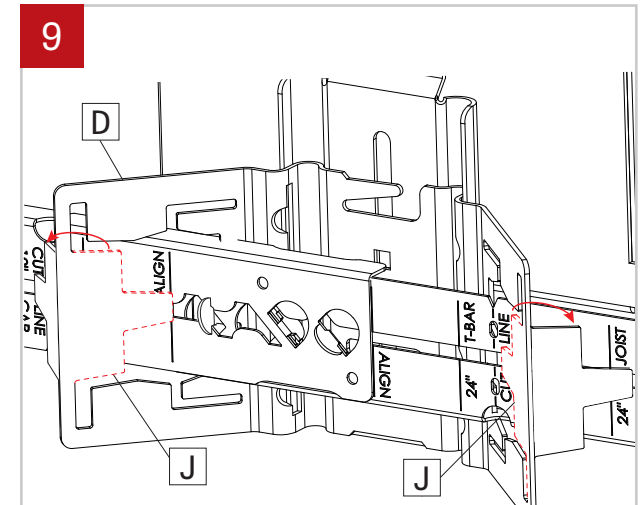
DRYWALL REMOTE DRIVER - INSTALLATION



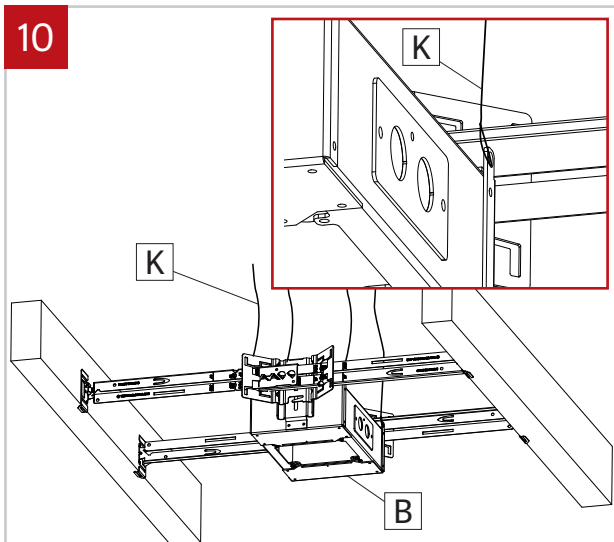
Bend the upper alignment tab (H) inward on each of the adjustable arms (F).



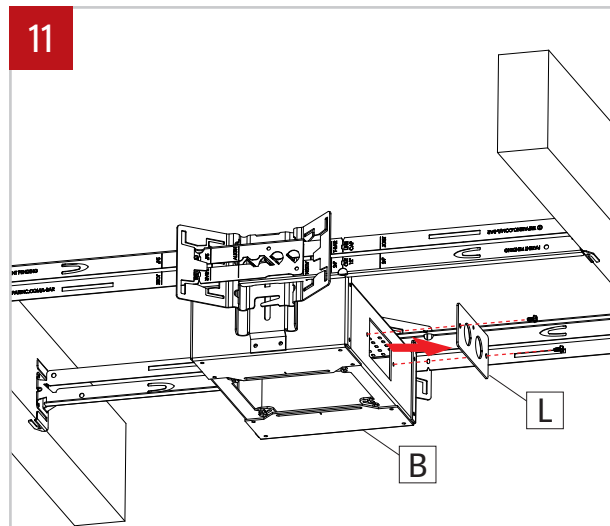
Raise the fixture between the stud and secure the adjustable arms (F) to the studs (I) by using screws.



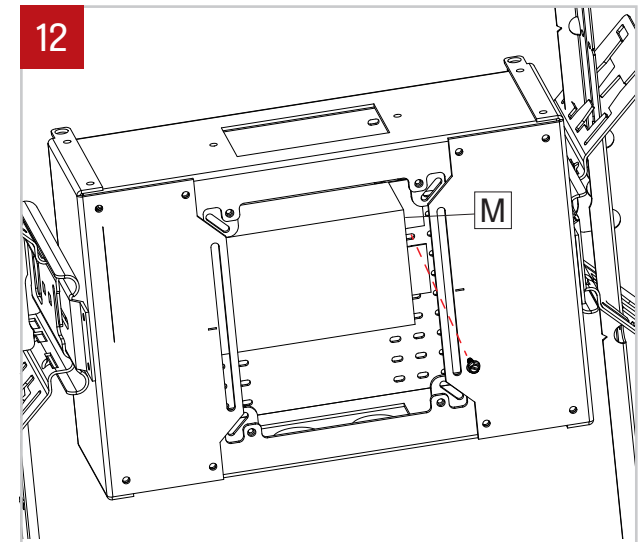
Bend the tabs (J) on the butterfly brackets (D) outwards, to fix and secure everything in place.



Install safety cables (K) on each corner of the driver box (B).



Unscrew and remove the power plate (L) from one side of the driver box (B).

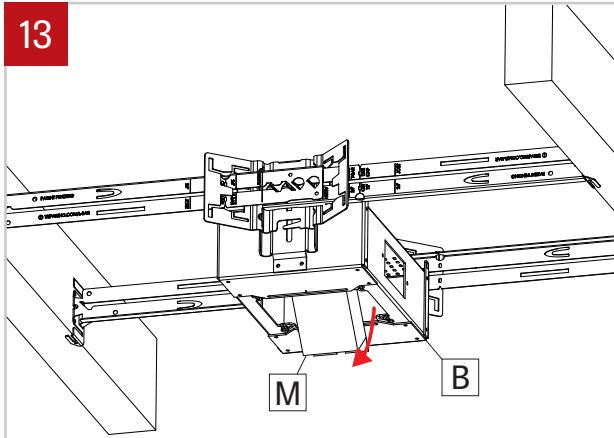


Unscrew the one screw holding the driver (M) in place.

REMOTE DRIVER

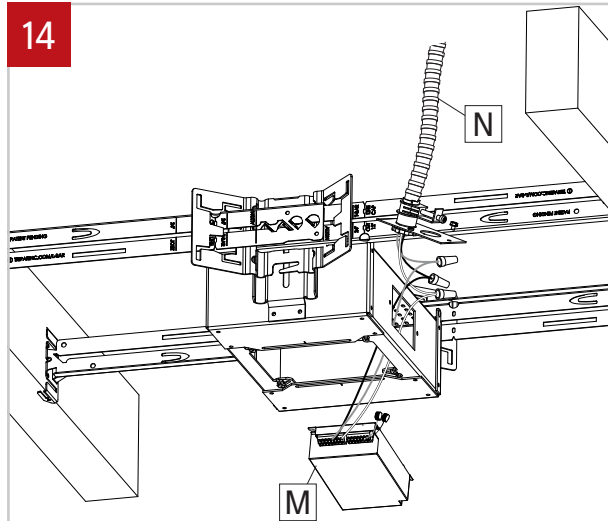
DRYWALL REMOTE DRIVER - INSTALLATION

13



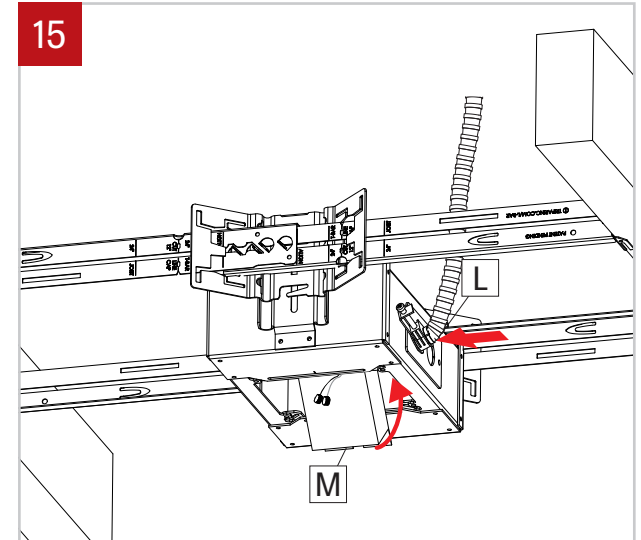
Remove the driver (M) from the driver box (B) by pushing it to the bottom of the box and then rotating it.

14



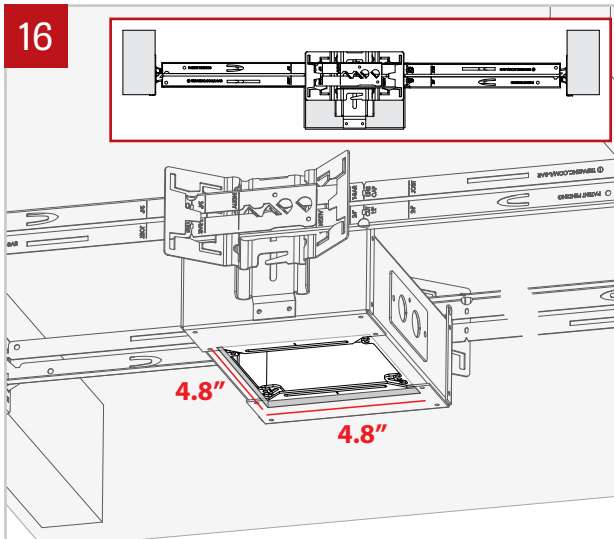
Make the connections between the main power (N) and the driver (M).

15



Put back in place the driver (M) and the power plate (L) and fix them with screws.

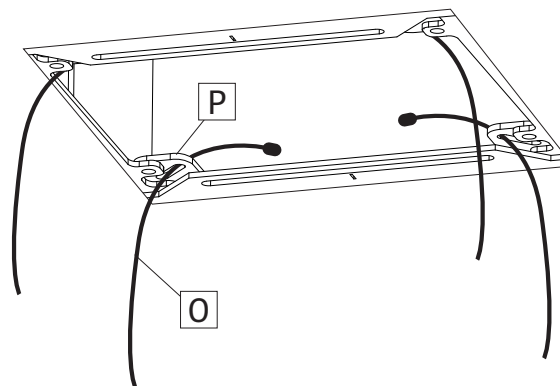
16



Install the drywall ceiling. A opening (4.8 inch x 4.8 inch) align with the box must be made.

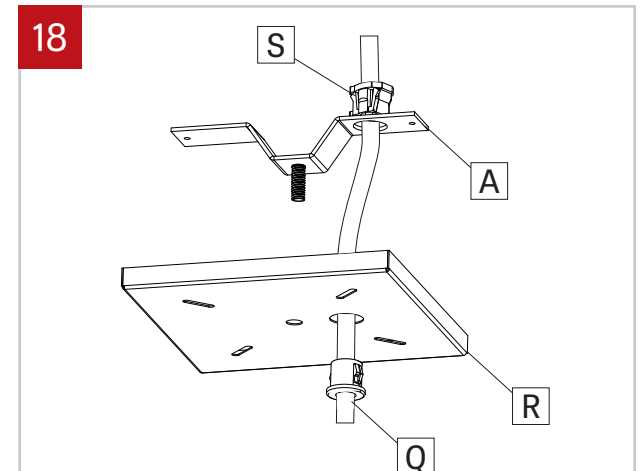
17

THIS STEP IS FOR PATTERN ONLY



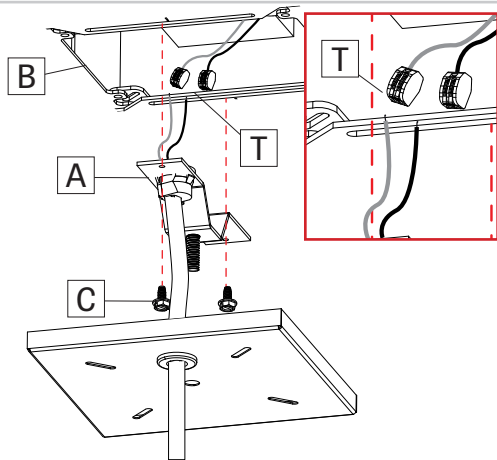
For patterns only, pass the aircraft cables (O) through the cable brackets (P), which are attach to the driver box.

18



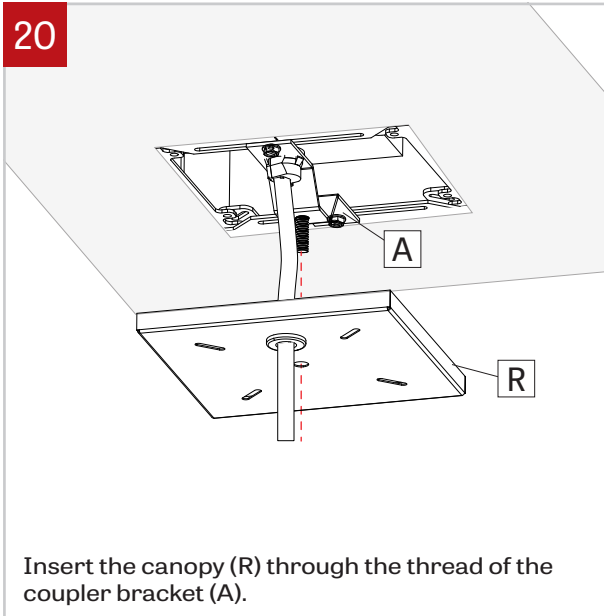
Pass the power cable (Q) from the fixture through the canopy (R), the strain relief clip (S) and the coupler bracket (A). Once the length of the power cable (Q) is finalized, secure the cable (Q) by closing the strain relief clip (S).

19



Make the connection between the fixture and the driver with the quick connector (T). Then, fix the coupler bracket (A) to the driver box (B) with screws (C). Use the marks on the driver box to align the bracket in the middle.

20



Insert the canopy (R) through the thread of the coupler bracket (A).

21



Continue with the standard fixture installation sheet.