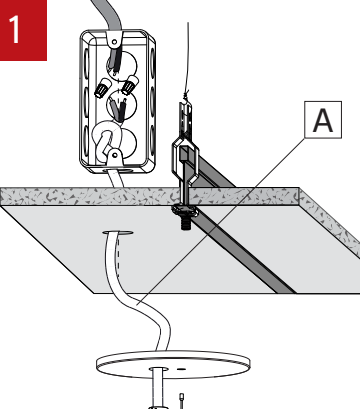


ORY PENDANT

PENDANT CABLE - REMOTE DRIVER - INSTALLATION

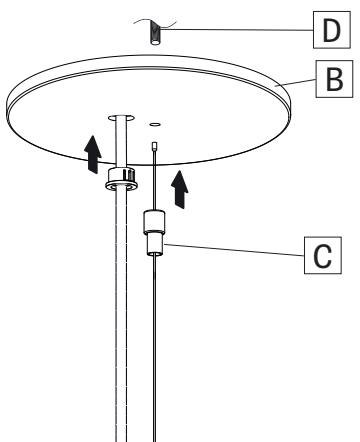
1



Please refer to the remote driver installation sheet for more informations.

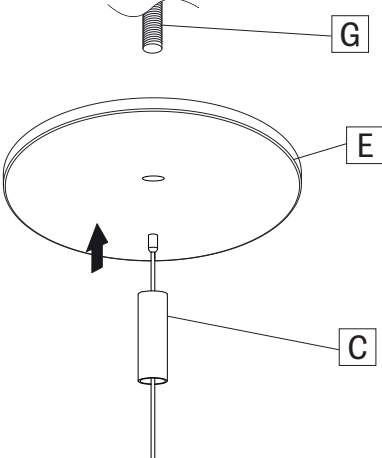
Locate ceiling mounting points according to supplied client drawing. Make a knot in the low voltage power cord (A) and then connect it to the ceiling power feed. **Installation may differ depending of your type of ceiling, please refer to the remote driver installation sheet for more infos.**

2 POWER SIDE



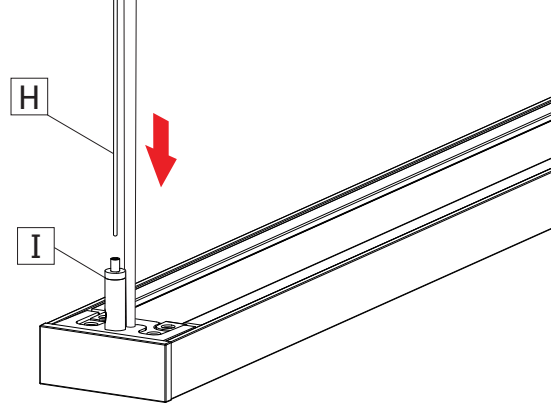
Secure canopy (B) with cable coupler (C) on threaded rod (D).

3 NON-POWER SIDE



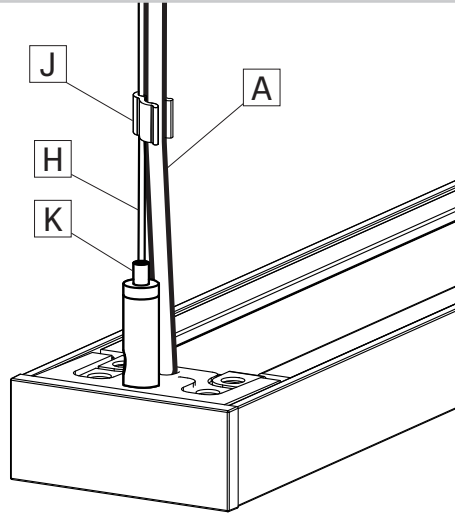
Secure canopy (E) with cable coupler (C) on crimp strut (1/4"-20) (G) (by other).

4 SINGLE FIXTURE



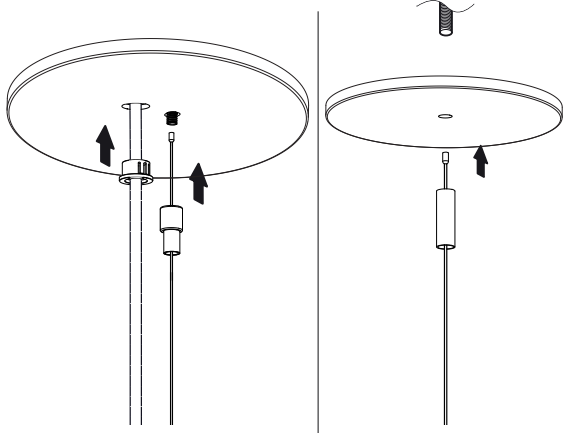
Insert the aircraft cable (H) into the cable gripper (I).

5



Secure power cord (A) to aircraft cable (H) with plastic clip (J). Make final adjustment of the cable (H) height by pushing the feeder tube (K) downward.

6 CONTINUOUS SYSTEM

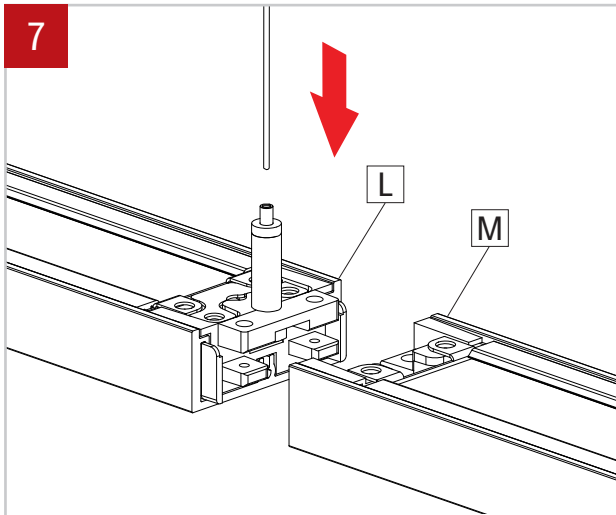


POWER SIDE **NON POWER SIDE**

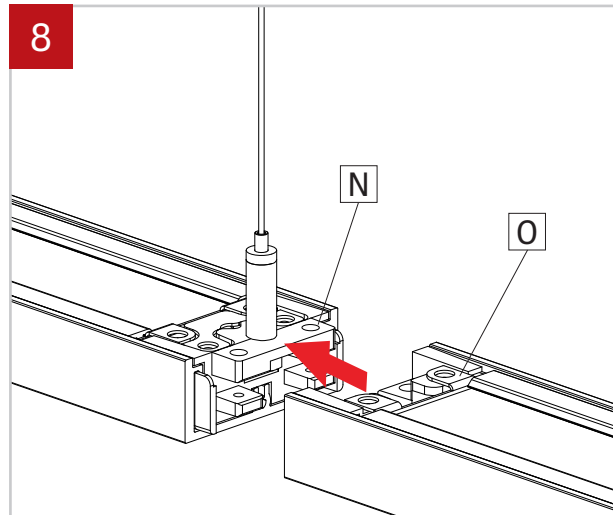
For a continuous system, repeat steps 1 to 3 for all mounting.

ORY PENDANT

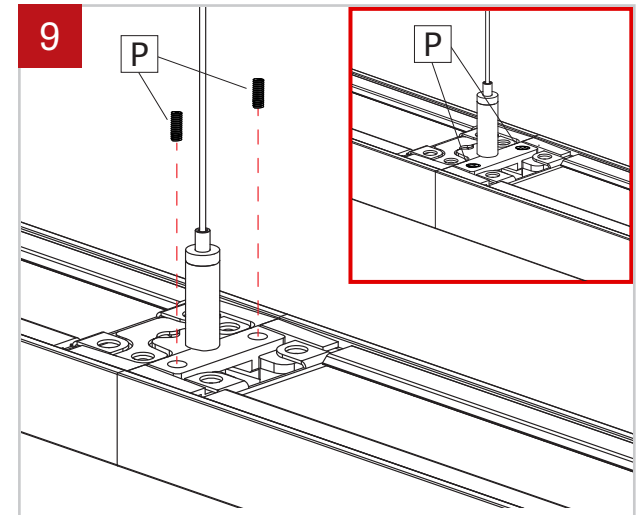
PENDANT CABLE - INSTALLATION



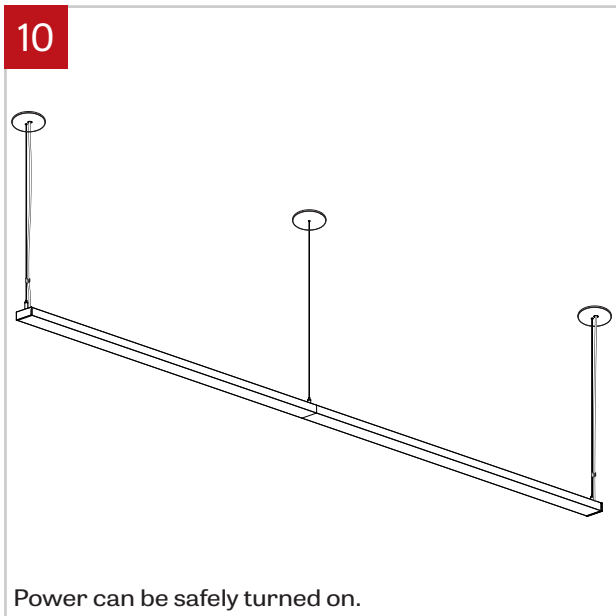
7
Install the aircraft cables on the first fixture (L). Then install it at the end, on the second fixture (M) (as shown in steps 4 and 5).



8
Join fixtures together by lining up and bringing together both the male (N) and female (O) sides of the joiner.



9
Secure both sides of the joiner (P) with the pre-install set screws. Be sure to tighten them flush with the joiner.



10
Power can be safely turned on.