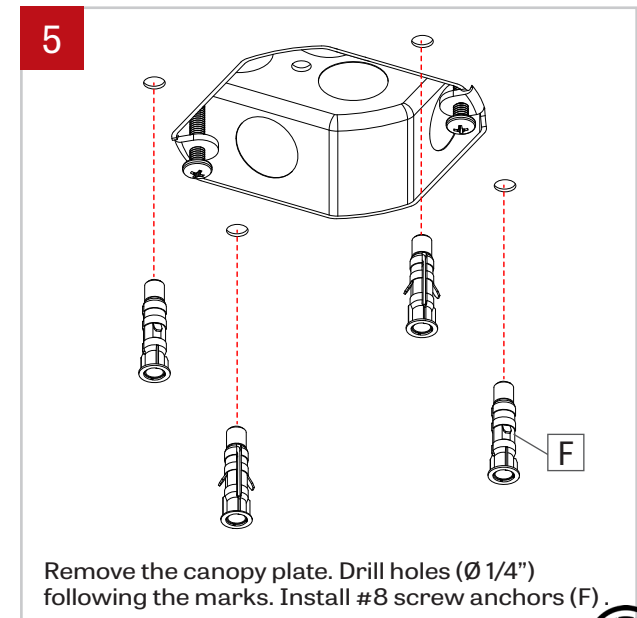
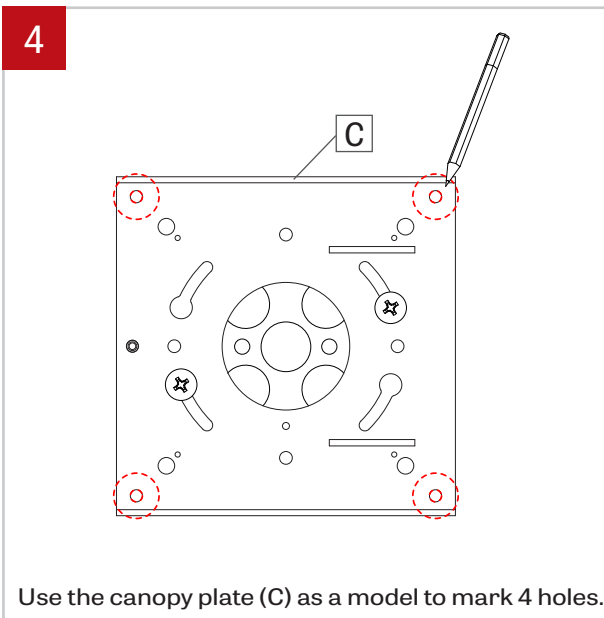
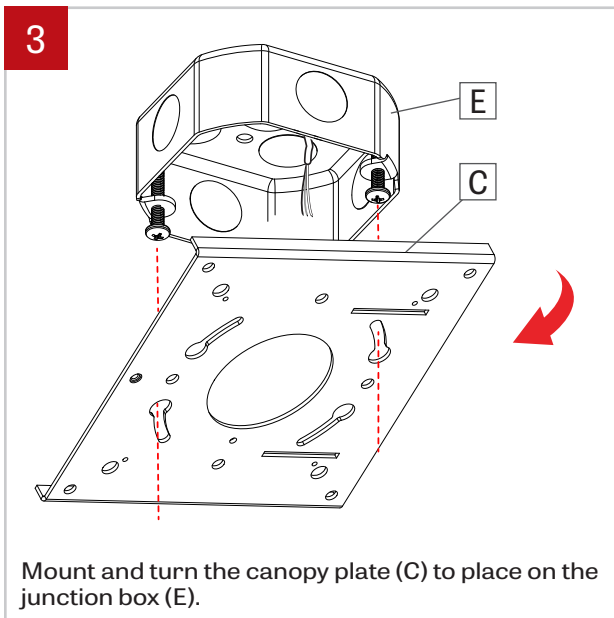
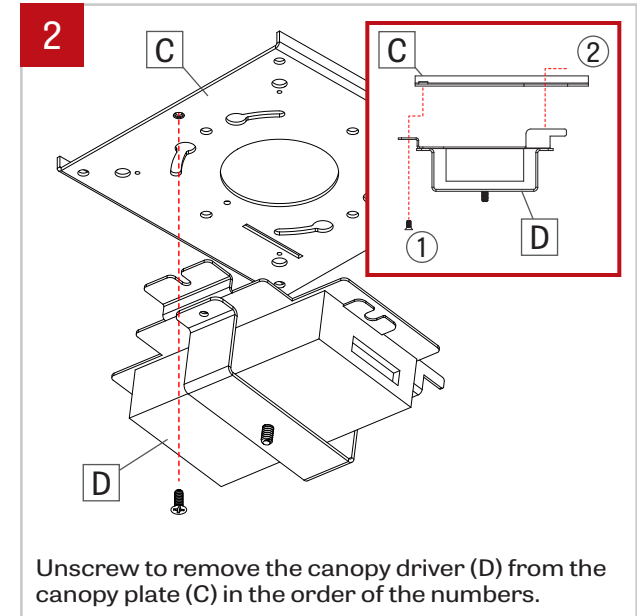
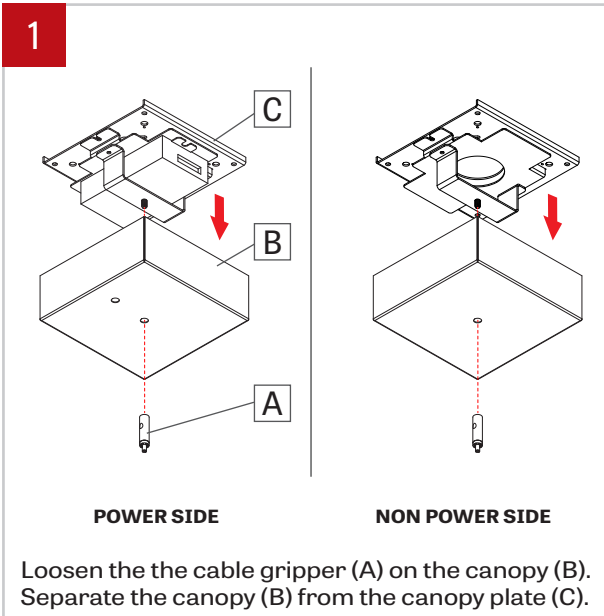


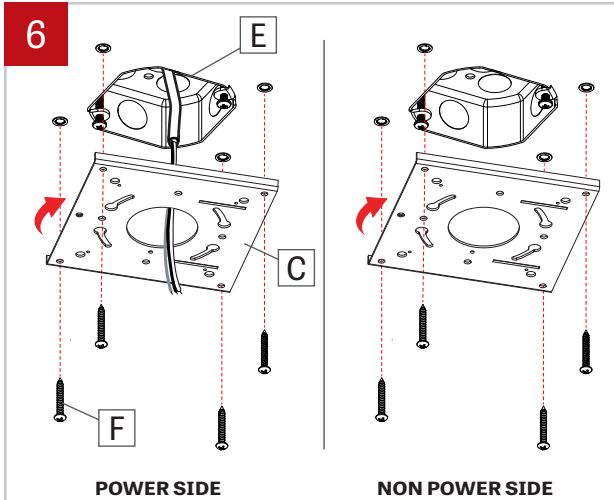
**NOTE:** Wire dimming conductors as Class 1



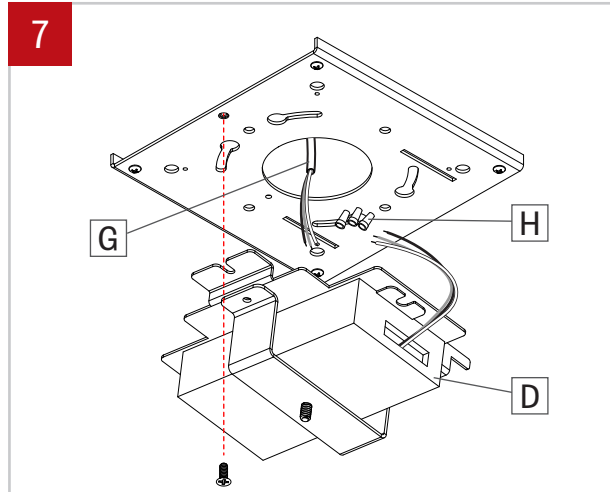
This product must be installed in accordance with the National Electrical Code and all applicable local codes, by a person familiar with the construction and operation of the product, and the hazards involved. Proper grounding is required for safety.

Ce produit doit être installé suivant le code national de l'électricité, ainsi que tous les codes locaux applicables, par une personne familière avec la construction et le fonctionnement du produit, ainsi que tous les risques qui y sont associés. La mise à terre électrique est obligatoire pour la sécurité.

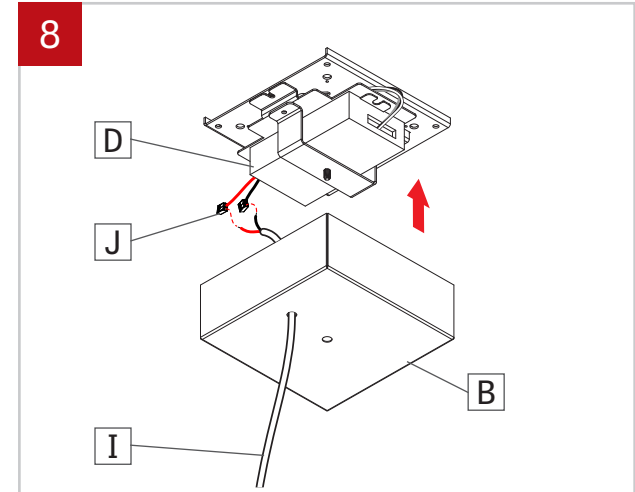




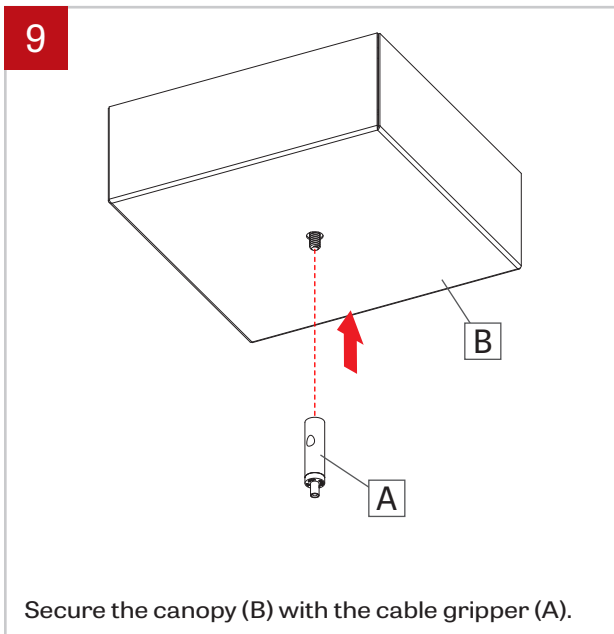
Mount and turn the canopy plate (C) to place on the junction box (E). Fix the canopy plates (C) with screws (F).



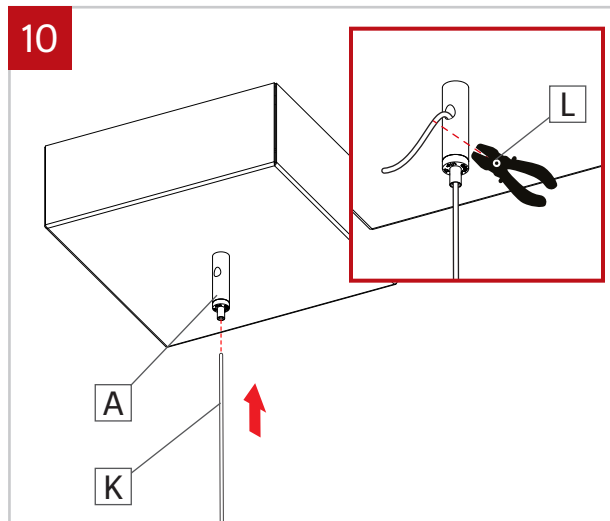
Make electrical connections between the driver (D) and the main power (G) with wire nuts (H).



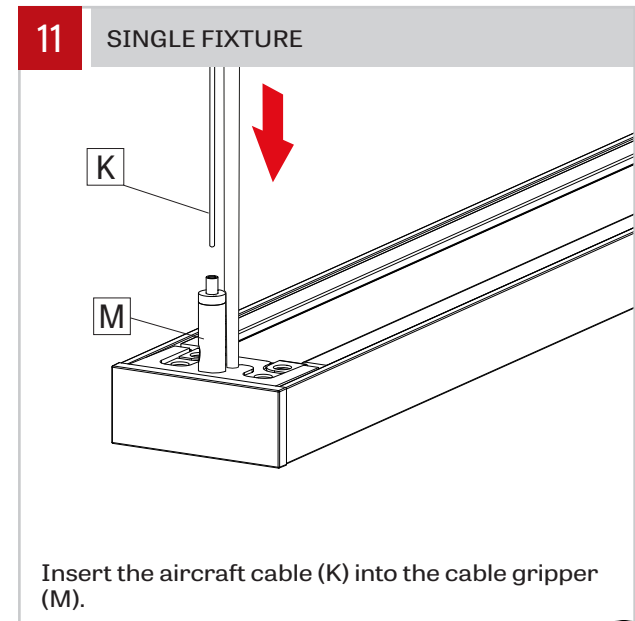
Pass the power cord (I) into the canopy (B). Make electrical connections between the power cord (I) and the driver (D) using quick connectors (J).



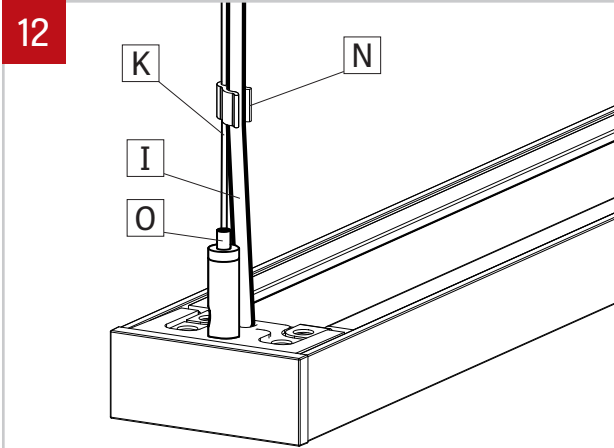
Secure the canopy (B) with the cable gripper (A).



Insert the aircraft cable (K) into the cable gripper (A). Cut the excess cable with an aircraft cable cutter (L).

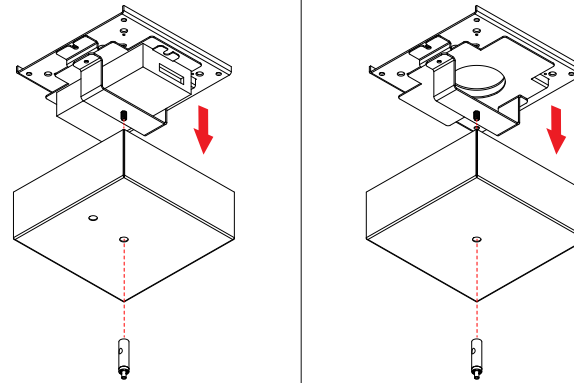


Insert the aircraft cable (K) into the cable gripper (M).



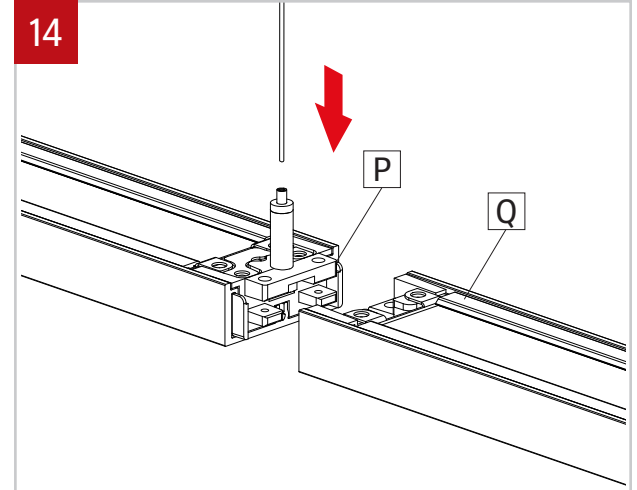
Secure power cord (I) to aircraft cable (K) with plastic clip (N). Make final adjustment of the cable (K) height by pushing the feeder tube (O) downward.

13 CONTINUOUS SYSTEM

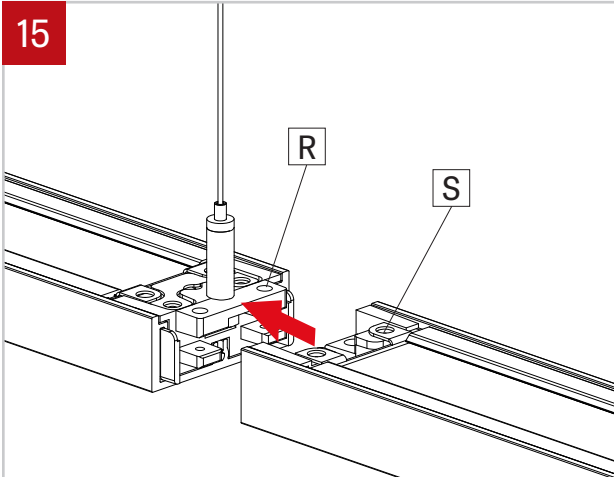


**POWER SIDE** **NON POWER SIDE**  
For a continuous system, repeat steps 1 to 10 for all mountings.

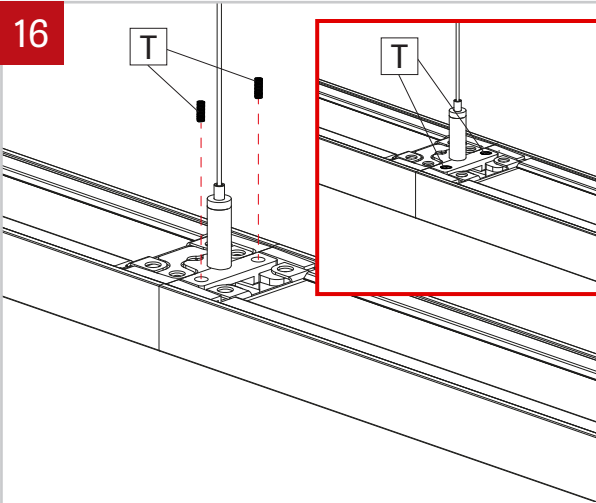
14



Install the aircraft cables on the first fixture (P). Then install it at the end, on the second fixture (Q) (as shown in steps 11 and 12).



Join fixtures together by lining up and bringing together both the male (R) and female (S) sides of the joiner.



Secure both sides of the joiner with the pre-installed set screws (T). Be sure to tighten them flush with the joiner.