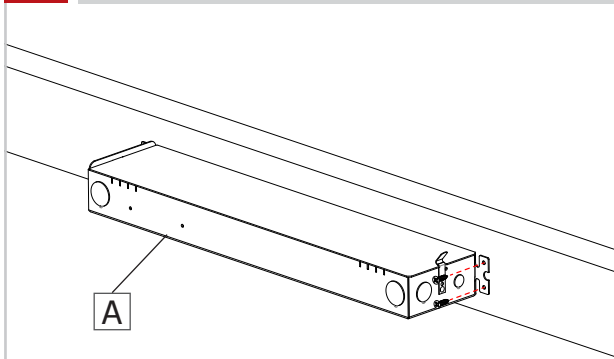
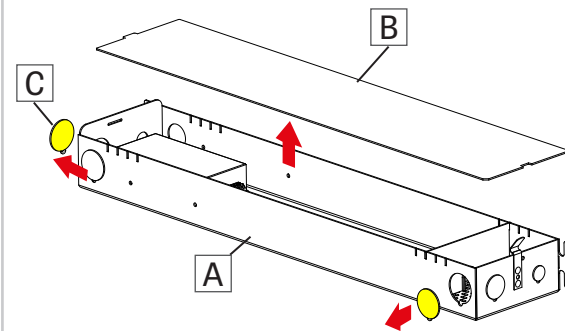


1 REMOTE DRIVER BOX INSTALLATION



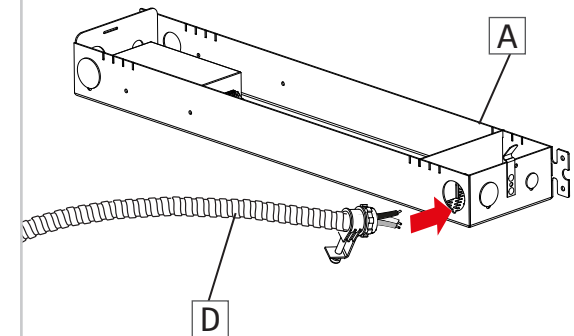
Secure remote driver box (A) in an accessible location with drywall screws and anchors or other fastening methods.

2



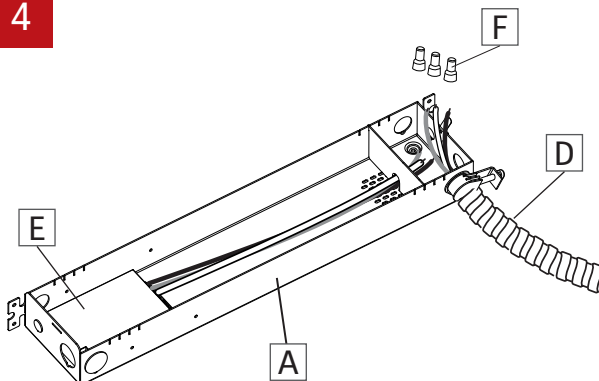
Remove lid (B) of remote driver box (A) and push out power knock out (C).

3



Pass and secure the BX Main power cable (D) (by other) to the remote driver box (A).

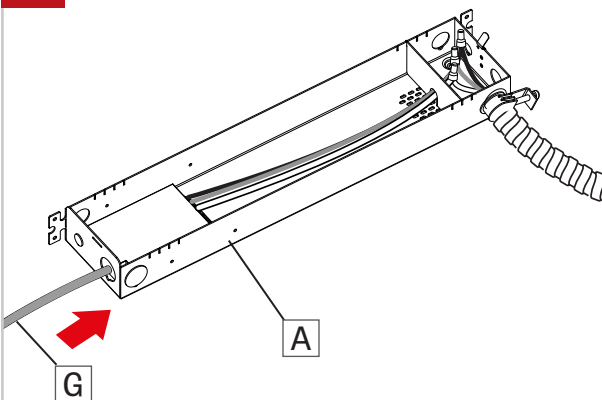
4



Make wire connections between the BX cable (D) (by other) and the driver (E), using the wire nuts (F).

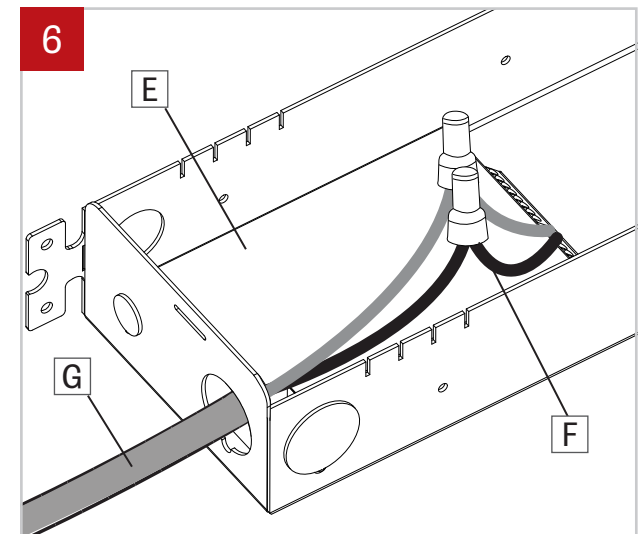
NOTE: Driver is screwed into the remote driver box (A) (supplied by Lumenwerx).

5

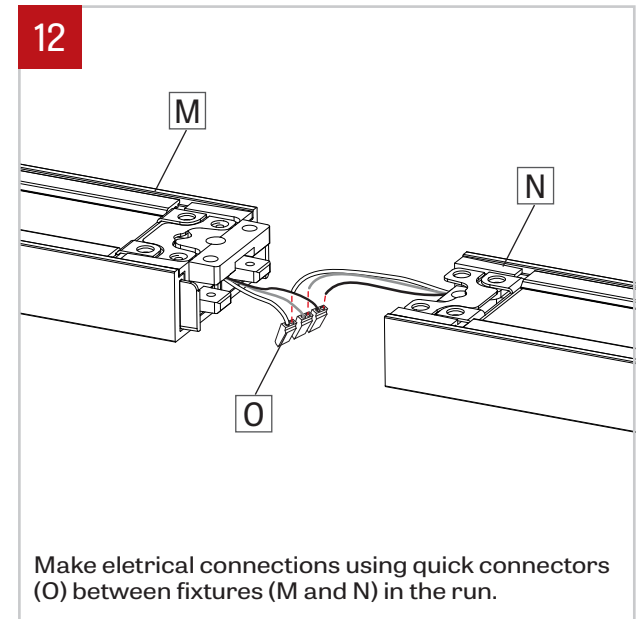
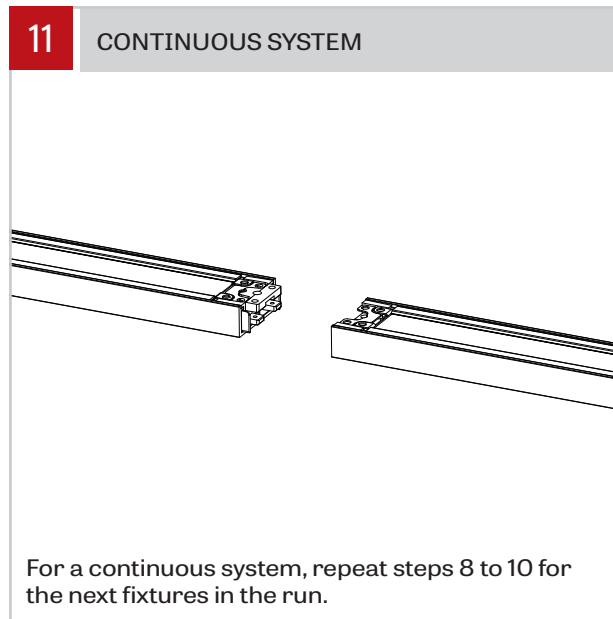
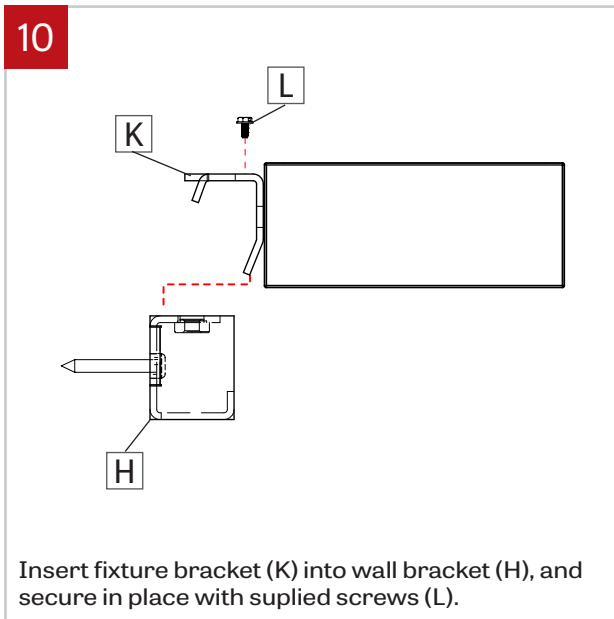
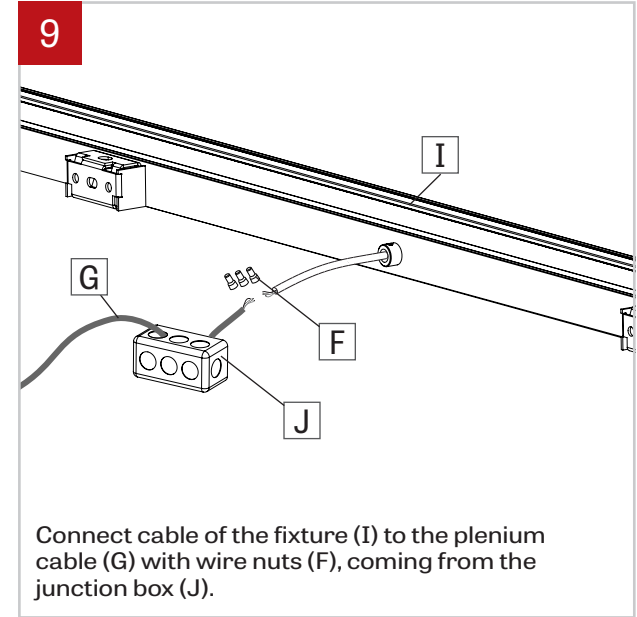
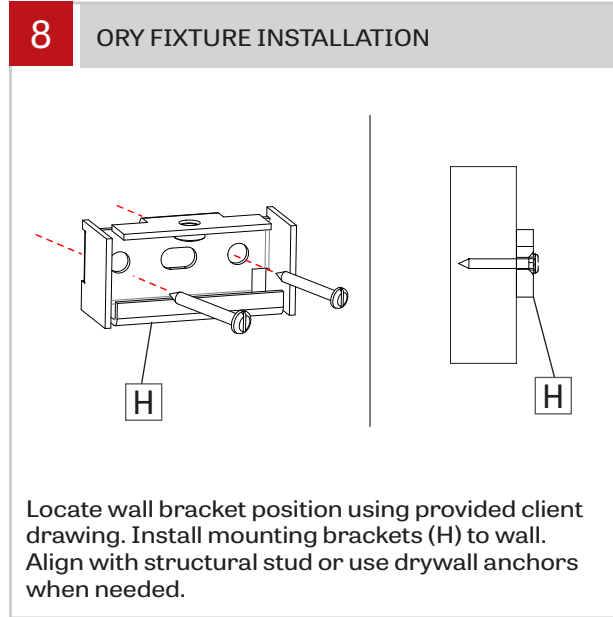
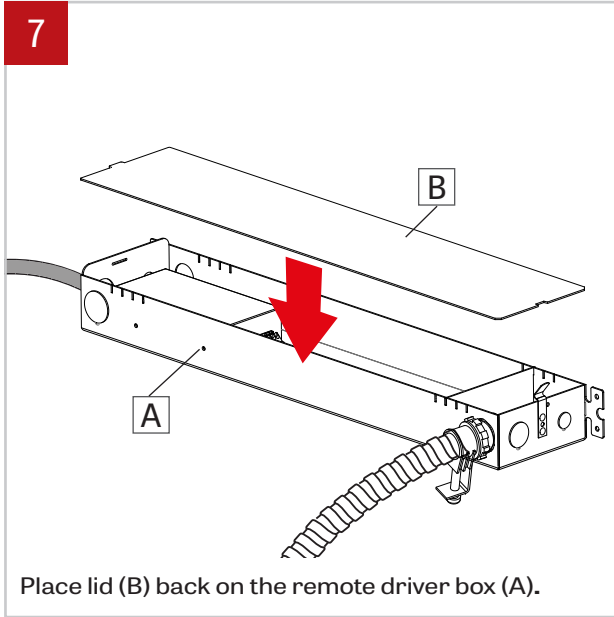


Bring the low voltage plenum wire (G) to the remote driver box (A) that would be connected to the fixture.

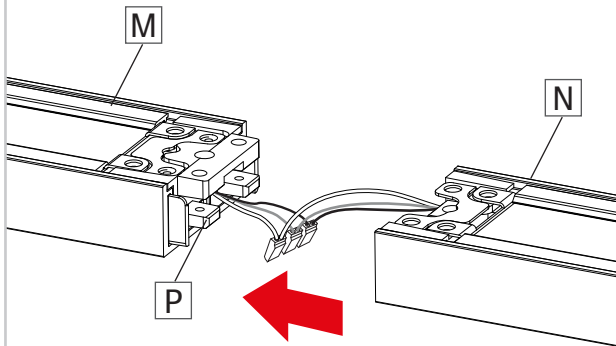
6



Make the connection between the driver (E) and the low voltage plenum wire (G) using wire nuts (F).

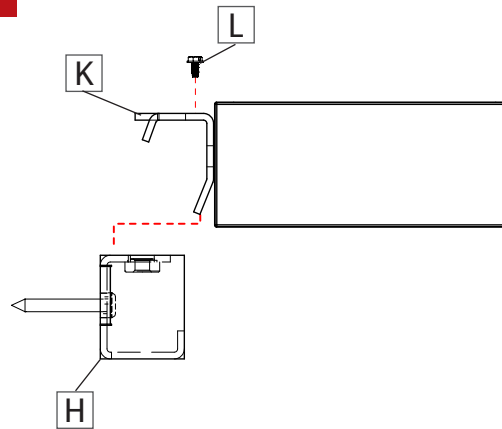


13



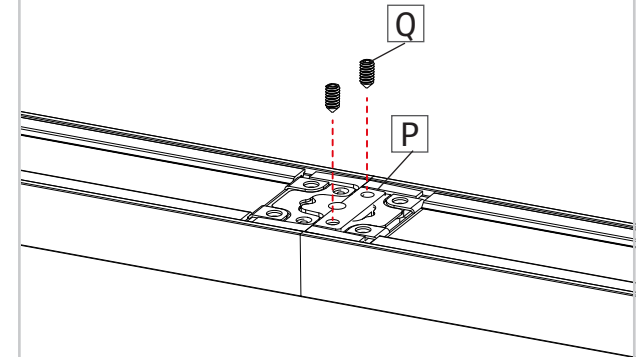
Bring the fixture (M) to the fixture (N) with the help of the joining bracket (P).

14



Insert fixture bracket (K) into wall bracket (H), and secure in place with supplied screws (L).

15



Insert set screws (Q) into the joining bracket (P) until flush.