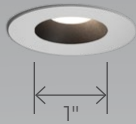


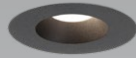
# PETITE DOWNLIGHT ROUND RECESSED



Flanged Trim



Flush Flanged Trim



Trimless



Glow Ring



The Petite family strikes that perfect balance of compact size, streamlined aesthetics, and high performance. Through their 1" lens apertures, these meticulously engineered downlight, cylinder, and multi-aperture luminaires breathe light into spaces with a quiet, straightforward sophistication.

### Beam Angles



### Light Source

Static White

SOLA

DUO



### Performance

LUMEN OUTPUT <sup>1</sup>	WATTS	EFFICACY
605 lm	7 W	86 lm/W
798 lm	10 W	80 lm/W
1074 lm	14 W	77 lm/W
1163 lm	16 W	73 lm/W

<sup>1</sup>Lumen packages are assuming 3500K, 90 CRI, 45° beam, trimless with white baffle.

### Ceiling Types



### Plenum Clearance

As low as 1 3/4"



### Petite Family (Refer to other spec sheets) Downlight



Adjustable



Recessed



Wall Wash

### Multi-aperture



Adjustable



Recessed



Wall Wash

### Cylinder



Pendant



Surface

# PETITE DOWNLIGHT

## ROUND RECESSED



Project: \_\_\_\_\_

Type: \_\_\_\_\_

### Order Guide

LUMINAIRE ID <sup>1</sup>	TRIM STYLE	LENS	CEILING THICKNESS	INSTALLATION TYPE <sup>2</sup>	MOUNTING OPTION <sup>5</sup>	LIGHT SOURCE
<b>PETRR</b>						
<b>PETRR</b> - Petite Round Recessed <sup>1</sup> Recessed Adjustable and Recessed Wall Wash also available. Consult other spec sheets.	<b>TRM</b> - Flanged trim <b>TRMP</b> - Flush flanged trim drywall mudplate <b>TRMW</b> - Flush flanged trim millwork  <b>TLMP</b> - Trimless drywall mudplate <b>TLMW</b> - Trimless millwork  <b>GLR</b> - Glow ring	<b>At baffle</b> <b>SDL</b> - Soft diffused lens, Solite <b>NOL</b> - No lens	<b>05IN</b> - Up to 0.5" <b>1IN</b> - 0.5" - 1"	<b>IC</b> <sup>3</sup> - Type-IC <b>NIC</b> <sup>4</sup> - Type Non-IC <b>CP</b> <sup>3</sup> - Chicago Plenum Type-IC (CCEA)  <sup>2</sup> See page 3 for more details. <sup>3</sup> Up to 14 W with 90 CRI. <sup>4</sup> Up to 16 W.	<b>ASB</b> - Adjustable standard bar hangers <b>FMB</b> - Flush mount bars <b>ACB</b> - Adjustable commercial bar hangers <b>AHC</b> - Adjustable hat channel bars <b>NA</b> - None  <sup>5</sup> See page 5 for more details.	<b>SW</b> - Static white  <b>SOLA</b> - Dim-to-warm single channel control <b>DUO</b> - Tunable white 2-channel control

BEAM	COLOR QUALITY	CRI	COLOR TEMPERATURE	DRIVER	VOLTAGE
<b>35DEG</b> - 35° Narrow flood <b>45DEG</b> - 45° Flood <b>60DEG</b> <sup>6</sup> - 60° Very wide flood  <sup>6</sup> Only available with TLMP and TLMW trim options. <sup>7</sup> Not available with TLMP and TLMW trim options.	<b>2STP</b> - 2 Step MacAdam Ellipse <b>3STP</b> - 3 Step MacAdam Ellipse	<b>90CRI</b> - 90 CRI <b>95CRI</b> - 95 CRI <b>80CRI</b> - 80 CRI	<b>27K</b> - 2700K <b>30K</b> - 3000K <b>35K</b> - 3500K <b>40K</b> - 4000K	<b>INTEGRAL</b> <sup>8</sup>  <sup>8</sup> Access above the ceiling is required.	<b>120V</b> - 120V <b>277V</b> - 277V <b>UNV</b> - 120V-277V
<b>45DEG</b> <sup>7</sup> - 45° Flood <b>60DEG</b> <sup>6</sup> - 60° Very wide flood	<b>3STP</b> - 3 Step MacAdam Ellipse	<b>90CRI</b> - 90 CRI	<b>SOLA</b> <b>30K18K</b> - 3000K to 1800K <b>27K18K</b> - 2700K to 1800K  <b>DUO</b> <b>65K27K</b> - 6500K to 2700K <b>50K27K</b> - 5000K to 2700K	<b>REMOTE</b> <sup>9</sup>  <sup>9</sup> A remote driver box is provided, see page 4 for details.	

WATTAGE	DIMMING <sup>13</sup>	BAFFLE FINISH Specify NA for Glow ring	TRIM FLANGE FINISH Specify NA for Glow ring and Trimless
<b>7W</b> - 7 W, up to 605 lm <b>10W</b> - 10 W, up to 798 lm <b>14W</b> <sup>11</sup> - 14 W, up to 1074 lm <b>16W</b> <sup>12</sup> - 16 W, up to 1163 lm  <sup>11</sup> Only available with 90 CRI when specified with Type-IC/CP. <sup>12</sup> Not available with Type-IC/CP.	<b>D1</b> - 1% 0-10V <b>ELV</b> <sup>14</sup> - ELV 120V <b>TRI</b> <sup>14</sup> - TRIAC 120V <b>ELD1</b> - eldoLED 1% ECOdrive 0-10V <b>ELDO</b> - eldoLED 0.1% SOLOdrive 0-10V <b>PEQ0*</b> - Lutron Hi-lume Premier 0.1% EcoSystem  <sup>13</sup> PoE (Power-over-Ethernet) compatible. <sup>14</sup> Available with 120V only. <sup>*</sup> On-site commissioning is required.	<b>FTMW</b> - Textured matte white <b>FTMB</b> - Textured matte black <b>FSPC</b> - Specular <b>FSSPC</b> - Semi-specular <b>FCHP</b> - Champagne <b>CF#</b> - Custom finish, specify RAL# <b>NA</b> - Not applicable	<b>FTMW</b> - Textured matte white <b>FTMB</b> - Textured matte black <b>FSPC</b> - Specular <b>FSSPC</b> - Semi-specular <b>FCHP</b> - Champagne <b>CF#</b> - Custom finish, specify RAL# <b>NA</b> - Not applicable
<b>SOLA</b> <b>10W</b> - 10 W output, up to 428 lm <b>14W</b> <sup>12</sup> - 14 W output, up to 567 lm	<b>SOLA</b> <b>SD1</b> - Single 0-10V input <b>SELV</b> <sup>14</sup> - ELV 120V <b>STRI</b> <sup>14</sup> - TRIAC 120V		

FOR FULL REMOTE DRIVER SPECIFICATION, SEE "REMOTE DRIVER" SECTION BELOW.

### REMOTE DRIVER

Ordered separately. Specify each required remote driver box on a separate line.

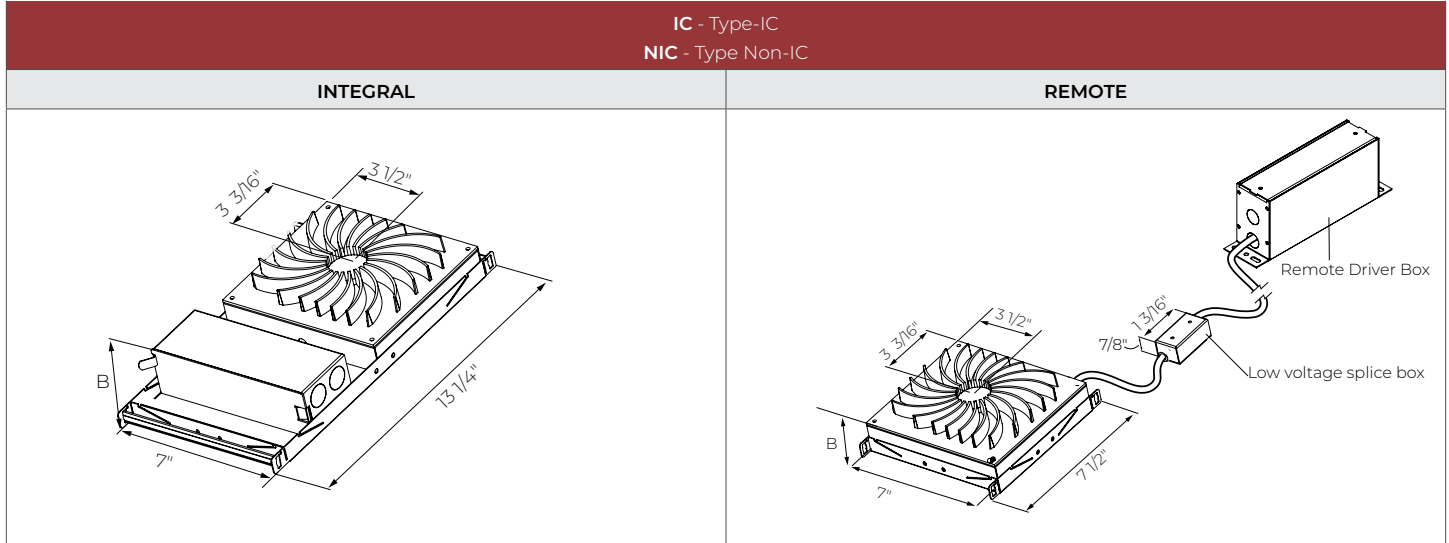
REMOTE DRIVER <sup>15</sup>	LUMINAIRE QTY.	LUMINAIRE ID	VOLTAGE	WATTAGE	DIMMING <sup>19</sup>
<b>RDB</b>		<b>PETRR</b>			
<b>RDB</b> - Remote driver  <sup>15</sup> Specify each required remote driver box on a separate line.	<b>1X</b> - 1 luminaire <b>2X</b> - 2 luminaires <b>3X</b> - 3 luminaires	<b>PETRR</b> - Petite Round Recessed	<b>120V</b> - 120V <b>277V</b> - 277V <b>UNV</b> - 120V-277V <b>347V</b> <sup>16</sup> - 347V  <sup>16</sup> Available with RD1 driver only. Please consult factory.	<b>7W</b> - 7 W, up to 605 lm <b>10W</b> - 10 W, up to 798 lm <b>14W</b> <sup>17</sup> - 14 W, up to 1074 lm <b>16W</b> <sup>18</sup> - 16 W, up to 1163 lm  <sup>17</sup> Only available with 90 CRI when specified with Type-IC/CP. <sup>18</sup> Not available with Type-IC/CP.	<b>RD1</b> - 1% 0-10V <b>RELV</b> <sup>20</sup> - ELV 120V <b>RTRI</b> <sup>20</sup> - TRIAC 120V <b>RLDE1</b> <sup>21</sup> - Lutron Hi-lume 1% Ecox  <sup>20</sup> Available with 120V only. <sup>21</sup> On-site commissioning is required. <sup>22</sup> For emergency battery, code will be like the following example: RD1+EB.
				<b>SOLA</b> <b>10W</b> - 10 W output, up to 428 lm <b>14W</b> <sup>18</sup> - 14 W output, up to 567 lm  <b>DUO</b> <b>7W</b> - 7 W output, up to 251 lm	<b>DUO</b> <b>RSD1</b> - Single 0-10V input <b>RSELV</b> <sup>20</sup> - ELV 120V <b>RSTRI</b> <sup>20</sup> - TRIAC 120V  <b>RDD1</b> - Dual 0-10V input for CCT/intensity <b>RPSQO</b> <sup>21</sup> - Lutron T-Series 1% tunable white
EXAMPLE CODE:	<b>LIGHT</b>	PETRR-TRM-SDL-1IN-IC-ASB-SW-35DEG-2STP-90CRI-35K-UNIV-7W-D1-FTMW-FTMW			<b>REMOTE DRIVER</b> RDBC-2X-PETRR-RD1 RDBC-1X-PETRR-RD1



# PETITE DOWNLIGHT ROUND RECESSED



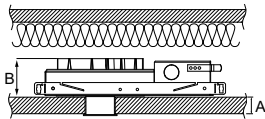
## Installation Types



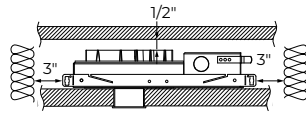
For integral, access above the ceiling is required.  
For dimension B, see the PLENUM CLEARANCE table below.

### PLENUM CLEARANCE

### CUT-OUT DIMENSIONS

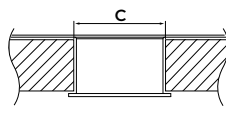


IC - Insulated ceiling

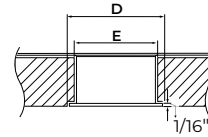


NIC\* - Non-insulated ceiling

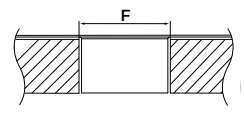
\* No insulation within 3" of the fixture.



TRM - TLMP - TRMP - GLR



TRMW



TLMW

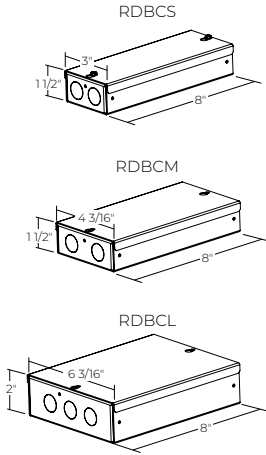
PLENUM CLEARANCE HEIGHT AND CEILING THICKNESS					
		IC - TYPE IC		NIC - TYPE NON-IC	
A	Ceiling Thickness	1IN	0.5IN	1IN	0.5IN
B	Integral	2 1/8" (FMB) 4" (ASB, ACB, AHC)		2 5/8" (FMB) 4" (ASB, ACB, AHC)	
	Remote	1 3/4" (FMB) 4" (ASB, ACB, AHC)	2 1/8" (FMB) 4" (ASB, ACB, AHC)	2 1/4" (FMB) 4" (ASB, ACB, AHC)	2 5/8" (FMB) 4" (ASB, ACB, AHC)

CUT-OUT DIMENSIONS				
		Drywall	Acoustic Tile	Millwork
C	TRM	Ø 1 11/16"		N/A
	TRMP / TLMP	Ø 1 1/16"	N/A	
	GLR	Ø 1 11/16"		
D	TRMW	N/A		Ø 1 13/16"
E		Ø 1 11/16" with 1/16" lip		
F	TLMW	N/A	Ø 1 11/16"	

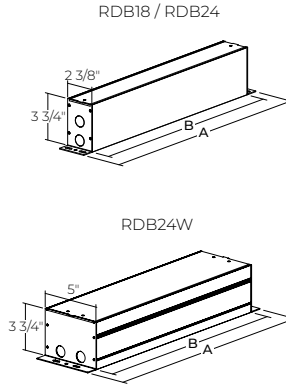
# PETITE DOWNLIGHT ROUND RECESSED



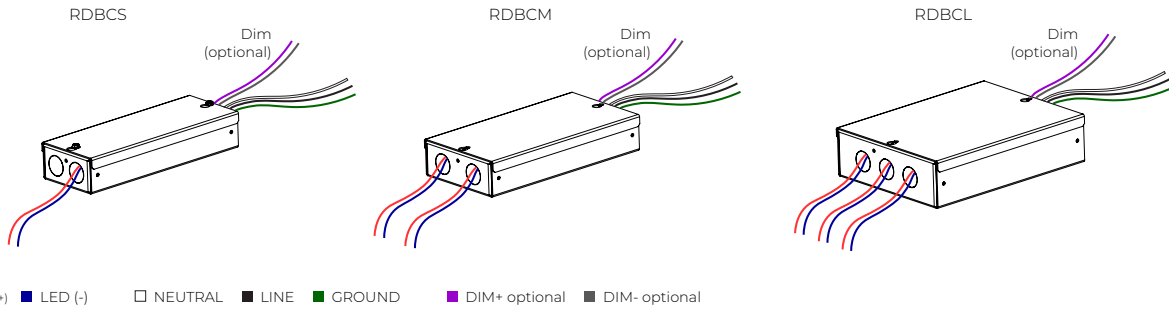
## REMOTE DRIVER BOX



DRIVER	RDB	# DRIVERS
RD1	RDBCS	1X
	RDBCM	2X
	RDBCL	3X
RELV RTRI RDA RELD0 RELD1	RDBCS	1X
	RDBCM	2X, 3X



DRIVER	RDB	A	B
RLDE1	RDB18	20"	18"
RDMX RDDA RDDA8 RDD1 RPSQ0	RDB24	26"	24"
RD1+EB RELV+EB RTRI+EB			
RLDE1+EB RDA+EBI RELD1+EB RELD0+EB	RDB24W	26"	24"

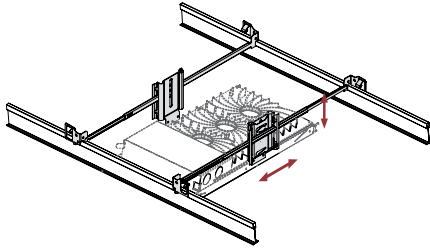


# PETITE DOWNLIGHT ROUND RECESSED



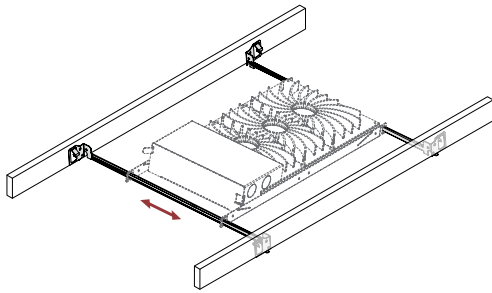
## Mounting Options

### ASB - Adjustable Standard Bar Hangers



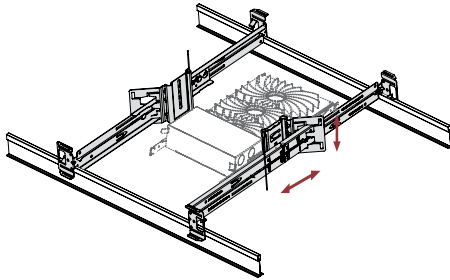
Adjustable Standard Bar hangers can be used in both commercial and residential applications and are adjustable to various heights in both Grid Ceiling and Drywall mounting. ASB hangers are less rigid and versatile than ACB hangers.

### FMB - Flush Mount Bars



Flush Mount Bars are best used in residential applications, fitting snug to the surface and suitable for Wood, Metal, and Drywall mounting. The flush mounted bars are static and can't be adjusted.

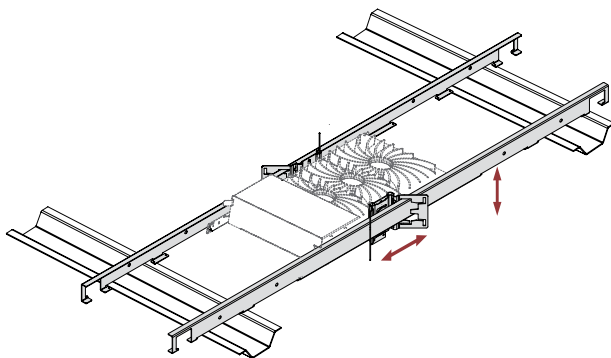
### ACB - Adjustable Commercial Bar Hangers



Adjustable Commercial Bar hangers can be used in both commercial and residential applications and are by far the most versatile mounting bar we offer with its adjustability to various heights. ACB hangers are suitable for Grid Ceiling, Drywall, Metal, Wood and Frame mounting.

- Extremely rigid
- Fits into C-Channel notches in a Butterfly Bracket

### AHC - Adjustable Hat Channel Bars



Adjustable Hat Channel bars can be used in both commercial and residential applications and come with a butterfly clip to adjust to various heights. AHC bars can be hung downward by 90 degrees in vertical position, and once wired, can be shifted onto the horizontal mounting plane. AHC bars are suitable for both Drywall and wood ceiling applications.

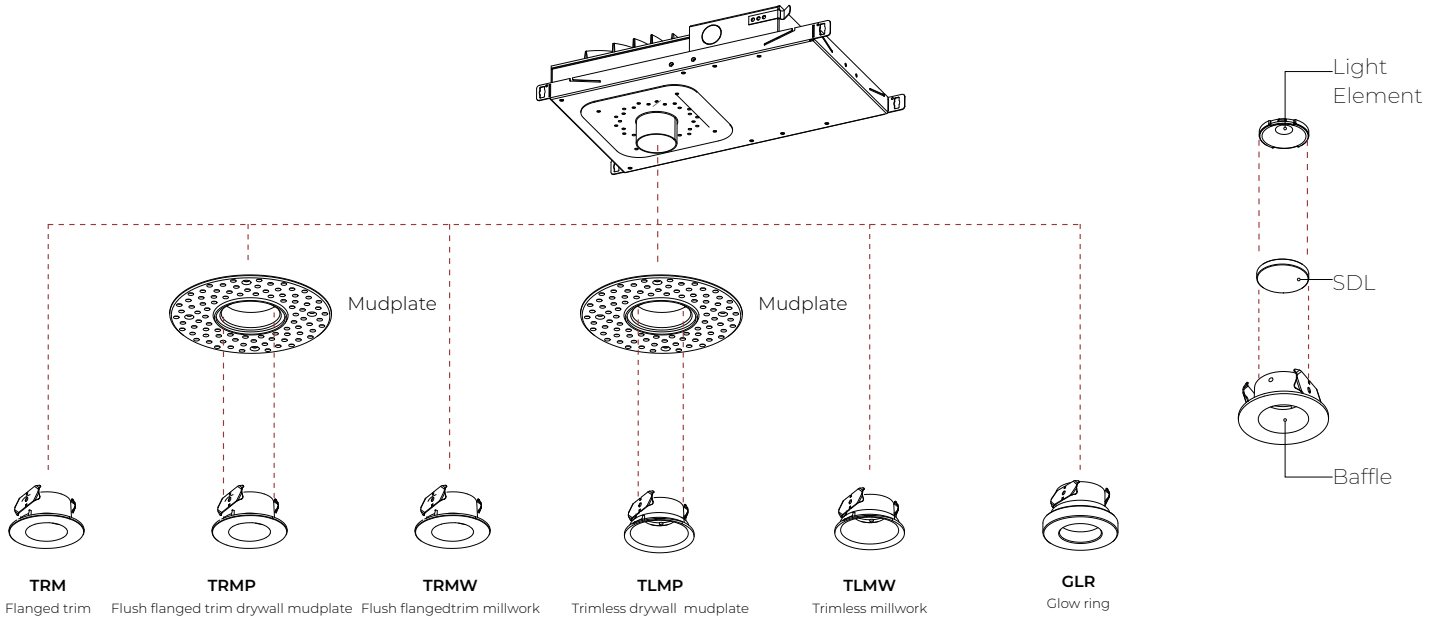
# PETITE DOWNLIGHT

## ROUND RECESSED

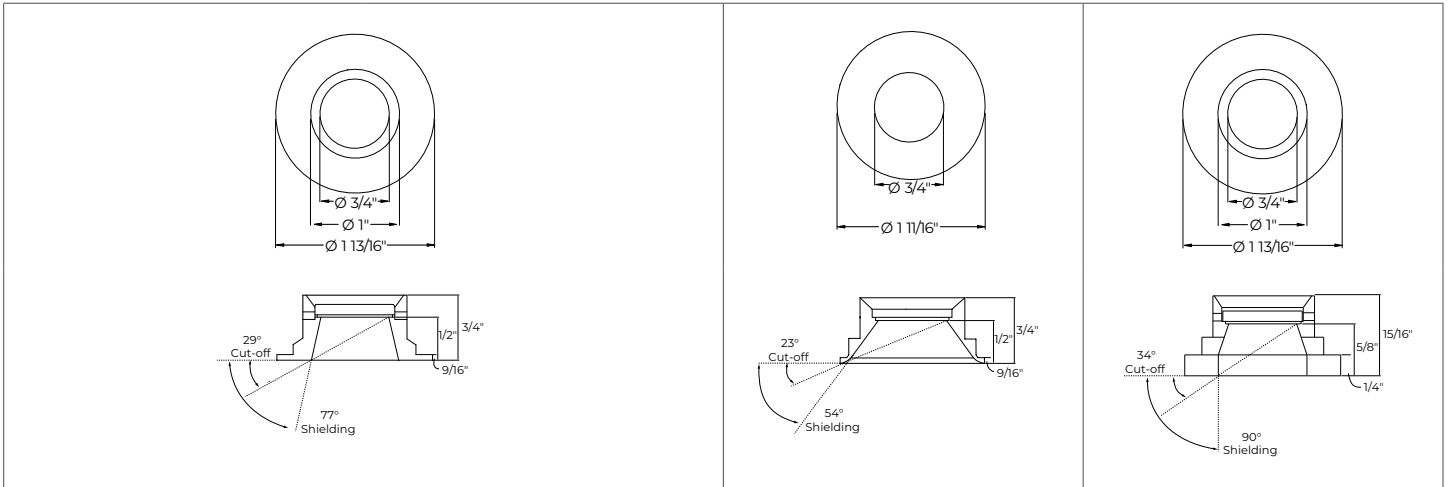


### Trim Style

### Lens



TRM - Flanged Trim	TRMP - Flush Flanged Trim Drywall Mudplate TRMW - Flush Flanged Trim Millwork	TLMP - Trimless Drywall Mudplate TLMW - Trimless Millwork	GLR - Glow Ring



# PETITE DOWNLIGHT

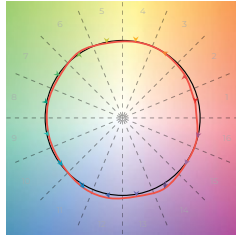
## ROUND RECESSED



### Color Quality

#### COLOR QUALITY - 3500K

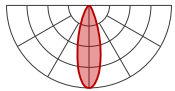
TM-30 R <sub>r</sub>	91
TM-30 R <sub>g</sub>	100
CRI	90
R9	> 50



### Photometrics

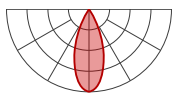
Values calculated based on 3500K, 90 CRI, and with no lens.

The light distribution will vary depending on baffle finish and trim style.



35DEG - 35° Narrow flood

WATTAGE		7 W		10 W		14 W		16W	
Trim Style	Baffle Finish	lm	lm/W	lm	lm/W	lm	lm/W	lm	lm/W
Trim	White	480	68	633	63	852	61	923	58
	Black Champagne	392	56	517	52	696	50	754	47
	Specular Semi-specular	458	65	604	60	813	58	881	55
Trimless	White	538	77	709	71	954	68	1033	64
	Black Champagne	495	71	652	65	878	63	951	59
	Specular Semi-specular	534	76	705	70	948	68	1028	64
Glow Ring		486	69	641	64	863	62	935	58

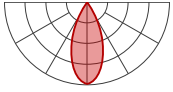


45DEG - 45° Flood

WATTAGE		7 W		10 W		14 W		16W	
Trim Style	Baffle Finish	lm	lm/W	lm	lm/W	lm	lm/W	lm	lm/W
Trim	White	509	73	671	67	904	65	979	61
	Black Champagne	412	59	412	41	731	52	792	49
	Specular Semi-specular	488	70	643	64	866	62	938	59
Trimless	White	605	86	798	80	1074	77	1163	73
	Black Champagne	522	74	688	69	926	66	1003	63
	Specular Semi-specular	576	82	759	76	1022	73	1107	69
Glow Ring		490	70	646	65	869	62	942	59

# PETITE DOWNLIGHT

## ROUND RECESSED



**60DEG** - 60° Very wide flood

WATTAGE		7 W		10 W		14 W		16W	
Trim Style	Baffle Finish	lm	lm/W	lm	lm/W	lm	lm/W	lm	lm/W
Trimless	White	381	54	502	50	675	48	732	46
	Black Champagne	296	42	391	39	526	37	570	36
	Specular Semi-specular	339	48	447	45	601	43	651	41

### MULTIPLIERS

Please follow the multiplier tables to ensure correct lumen value. CCT, CRI, and lensing will change the lumen value.

CCT		CRI		LENS	
2700K	0.91	80 CRI	1	SDL-Soft diffused lens, Solite	0.91
3000K	0.96	90 CRI	1	No lens	1
3500K	1	95 CRI	0.77		
4000K	1.01				

For SOLA and DUO, please consult factory.





# PETITE DOWNLIGHT

## ROUND RECESSED



### Technical Specifications

#### OPTIC

The CircaFlex™ Optic uses advanced beam-splitting technology to allow light to follow an intended optical path with maximal precision, minimal spread, and even distribution.

#### LIGHT SOURCE

Compact COB (Chip-On-Board) LED module, available in 2700K, 3000K, 3500K and 4000K with a choice of 80 CRI, 90 CRI, or 95 CRI, with elevated R9 value for 90 CRI and above. Color consistency is maintained to within 2 SDCM. All LEDs have been tested in accordance with IESNA LM-80-08 and the results have shown L80 lumen maintenance greater than 60,000 hours. Absolute product photometry is measured and presented in accordance with IESNA LM-79, unless otherwise indicated.

#### CHROMAWERX

##### Chromawerx SOLA

Chromawerx SOLA is single-channel control that dims output while warming the color temperature in a pre-determined relationship. Two color temperature range options are offered: 3000K to 1800K, and 2700K to 1800K. A simple analog control adjusts a specially populated LED array to emulate the effect of dimming a filament source.

##### Chromawerx DUO

Chromawerx DUO offers a two-channel control system which uses analog or digital protocols for synchronous control of both cool to warm LED arrays - maintaining a CRI above 90. Two color temperature range options are offered: 6500K to 2700K, and 5000K to 2700K. The range of color DUO offers is useful for entraining circadian rhythms, stimulating alertness, and compensating for jet lag among other applications. The Chromawerx drivers are programmed to limit maximum light output and power usage across all color temperatures. When paired with DALI drivers (DDA/DDA8), color tuning follows a linear dimming curve.

#### ELECTRICAL

Unless otherwise specified, dimming down to 1%. At maximum driver load: efficiency > 84%, PF > 0.9, THD < 20%.

**Integral:** 0-10V, ELV, TRIAC, eldoLED 1% ECOdrive 0-10V, eldoLED 0.1% SOLOdrive 0-10V, Lutron Hi-lume Premier 0.1% EcoSystem.

**Remote:** 0-10V, ELV, TRIAC, Lutron Hi-lume 1% Eco, DALI, eldoLED 1% 0-10V, eldoLED 0.1% 0-10V, Lutron Hi-lume Premier 0.1% EcoSystem, DMX, Lutron T-series (tunable white).

**Emergency Battery Option:** Remotely-installed, long-life, high-temperature, maintenance-free, Bodine Lithium-Ion battery pack with self-test functionality, test switch and charge indicator. IOTA and Fulham options available upon request. Minimum of 90 minutes operation, and recharge time of 24 hours. For fixtures less than 10W, the battery provides 6W of emergency light output. For fixtures 10W and over, the battery provides 10W.

#### PoE

Depending on the PoE manufacturer selected, Lumenwerx will install the node in factory as either integral to the luminaire, or as a remote module. Factory programming of the PoE node may or may not enable the following functionalities: lumen package, DUO (tunable white), QUADRO (RGBW), emergency battery backup, and sensor integration. These must be addressed and evaluated on a case-by-case basis.

#### CONSTRUCTION

**Housing:** For new construction, 20 gauge powder coated steel. 18 gauge galvanized steel junction box with ½" trade size knockouts. Adjustable hanger bars and butterfly brackets are included. Adjustable commercial hat channel and flush mounted brackets are also available.

**Baffle:** Die-cast aluminum mounted with retaining spring clips

**Glow ring:** Acrylic

**Heat sink:** Die-cast aluminum

#### WEIGHT

**Integral:** 4 lbs - 1.8 kg

**Remote:** 2.1 lbs - 0.95 kg

#### LENS



Soft diffused lens, Solite

#### ENVIRONMENT

Ambient temperature at fixture location shall be within 0°C/32°F - 25°C/77°F, indoor dry or damp as well as outdoor damp use (canopies or marquees)

#### CERTIFICATION

**ETL:** Rated for Indoor dry/damp locations. Conforms to UL Standard 1598 and certified to CAN/CSA Standard C22.2 No. 250.0.

#### WARRANTY

Lumenwerx provides a five-year limited warranty on electrical and mechanical performance of the luminaires, including the LED boards, drivers, and auxiliary electronics. Lumenwerx will repair or replace defective luminaires or components at our discretion, provided they have been installed and operated in accordance with our specifications. Other limitations apply, please refer to the full warranty on our website.