

# PETITE 1" CYLINDER PENDANT



9" Height  
Bevel

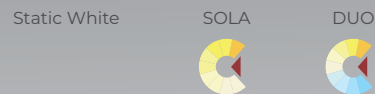


12" Height  
Glow ring

### Beam Angles



### Light Source

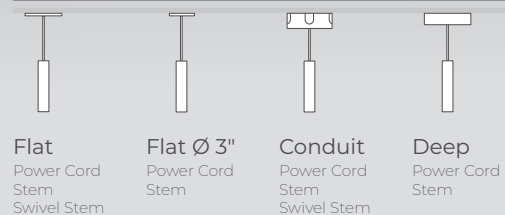


### Performance

LUMEN OUTPUT <sup>1</sup>	WATTS	EFFICACY
582 lm	8 W	73 lm/W
671 lm	10 W	67 lm/W
782 lm	12 W	65 lm/W

<sup>1</sup>Lumen packages are assuming 3500K, 90 CRI, 45° beam, white bevel baffle, and with no lens.

### Mounting Options



The Petite family strikes that perfect balance of compact size, streamlined aesthetics, and high performance. Through their 1" lens apertures, these meticulously engineered downlight, cylinder, and multi-aperture luminaires breathe light into spaces with a quiet, straightforward sophistication.

## Petite Family (Refer to other spec sheets)

### Downlight



### Multi-aperture



### Cylinder



# PETITE 1" CYLINDER PENDANT



Project: \_\_\_\_\_  
Type: \_\_\_\_\_

## Order Guide

LUMINAIRE ID <sup>1</sup>	CYLINDER HEIGHT	CYLINDER FINISH	BAFFLE STYLE	BAFFLE FINISH Specify NA for Glow ring
<b>PETICYP</b>				
<b>PETICYP</b> - Petite 1" Cylinder Pendant  <sup>1</sup> Surface also available. Consult other spec sheet.	<b>6IN</b> - 6" <b>9IN</b> - 9" <b>12IN</b> - 12" <b>18IN</b> - 18" <b>CH#IN</b> <sup>2</sup> - Custom height  <sup>2</sup> Specify height (#) in 1" increments only. Up to maximum 36".	<b>FTMW</b> - Textured matte white <b>FTMB</b> - Textured matte black <b>FCHP</b> - Champagne <b>CF#</b> - Custom finish, specify RAL#	<b>BVL</b> - Bevel <b>GLR</b> - Glow ring	<b>FTMW</b> - Textured matte white <b>FTMB</b> - Textured matte black <b>FSPC</b> - Specular <b>FSSPC</b> - Semi-specular <b>FCHP</b> - Champagne <b>CF#</b> - Custom finish, specify RAL# <b>NA</b> - Not applicable

LENS	LIGHT SOURCE	BEAM	COLOR QUALITY	CRI
<b>At baffle</b>	<b>SW</b> - Static white	<b>35DEG</b> - 35° Narrow flood <b>45DEG</b> - 45° Flood	<b>2STP</b> - 2 Step MacAdam Ellipse <b>3STP</b> - 3 Step MacAdam Ellipse	<b>90CRI</b> - 90 CRI <b>95CRI</b> - 95 CRI <b>80CRI</b> - 80 CRI
<b>SDL</b> - Soft diffused lens, Solite <b>NOL</b> - No lens	<b>SOLA</b> - Dim-to-warm single channel control <b>DUO</b> - Tunable white 2-channel control	<b>45DEG</b> - 45° Flood	<b>3STP</b> - 3 Step MacAdam Ellipse	<b>90CRI</b> - 90 CRI

COLOR TEMP.	DRIVER	VOLTAGE	WATTAGE	DIMMING <sup>4</sup>	CANOPY TYPE <sup>7</sup>	CANOPY FINISH	SUSPENSION
<b>27K</b> - 2700K <b>30K</b> - 3000K <b>35K</b> - 3500K <b>40K</b> - 4000K  <b>SOLA</b> <b>30K18K</b> - 3000K to 1800K <b>27K18K</b> - 2700K to 1800K  <b>DUO</b> <b>65K27K</b> - 6500K to 2700K <b>50K27K</b> - 5000K to 2700K	<b>INTEGRAL</b>	<b>120V</b> - 120V <b>277V</b> - 277V <b>UNV</b> - 120V-277V	<b>8W</b> - 8 W output, up to 582 lm <b>10W</b> - 10 W output, up to 671 lm <b>12W</b> - 12 W output, up to 782 lm  <b>SOLA</b> <b>10W</b> - 10 W output, up to 327 lm <b>12W</b> - 12 W output, up to 380 lm	<b>D1</b> - 1% 0-10V <b>ELV</b> <sup>5</sup> - ELV 120V <b>TRI</b> <sup>5</sup> - TRIAC 120V <b>ELDI</b> <sup>6</sup> - eldoLED 1% ECOdrive 0-10V <b>ELDO</b> <sup>6</sup> - eldoLED 0.1% SOLOdrive 0-10V  <b>SOLA</b> <b>SDI</b> - Single 0-10V input <b>SELV</b> <sup>5</sup> - ELV 120V <b>STRI</b> <sup>5</sup> - TRIAC 120V  <sup>4</sup> PoE (Power-over-Ethernet) compatible. Consult factory for details. <sup>5</sup> Available with 120V only. <sup>6</sup> Available with DR canopy only.	<b>FLR</b> - Flat round canopy, 4" octagonal junction box <b>FLR3</b> - Flat round canopy, Ø 3" <b>CDR</b> - Conduit feed, round canopy <b>DR</b> - Deep round canopy  <sup>7</sup> See page 3 for details.	<b>FTMW</b> - Textured matte white <b>FTMB</b> - Textured matte black <b>FCHP</b> - Champagne <b>CF#</b> - Custom finish, specify RAL#	<b>POWER CORD</b> <sup>8</sup> <b>BPC##IN</b> - Black PVC <b>WPC##IN</b> - White PVC  <b>STEM</b> <sup>9</sup> <b>BKS##IN</b> - Textured black stem <b>WHS##IN</b> - Textured white stem <b>BKSS##IN</b> <sup>10</sup> - Textured black swivel stem <b>WHSS##IN</b> <sup>10</sup> - Textured white swivel stem <b>CF##S##IN</b> <sup>11</sup> - Custom finish stem <b>CF##SS##IN</b> <sup>10,11</sup> - Custom finish swivel stem  <sup>8</sup> Min 18" - max 72", specify length (##) in inches. <sup>9</sup> Min 10" - max 72", specify length (##) in inches. <sup>10</sup> Not available with FLR3/DR and integral driver. <sup>11</sup> Specify RAL#.
	<b>REMOTE</b> <sup>3</sup>	<b>DO NOT SPECIFY FOR REMOTE. SEE "REMOTE DRIVER BOX" SECTION BELOW.</b>					

<sup>3</sup>A remote driver box is provided, see page 4 for details.

## Remote Driver Box Ordered separately. Specify each required remote driver box on a separate line.

REMOTE DRIVER <sup>12</sup>	LUMINAIRE QTY.	LUMINAIRE ID	VOLTAGE	WATTAGE	DIMMING	
		<b>PETICYP</b>				
<b>RDB#</b> - Remote driver box  <sup>12</sup> Specify an RDB number (#) for each required remote driver box.	<b>1X</b> - 1 luminaire <b>2X</b> <sup>13</sup> - 2 luminaires <b>3X</b> <sup>13</sup> - 3 luminaires  <sup>13</sup> Not available with RLDE1 or DUO.	<b>PETICYP</b> - Petite 1" Cylinder Pendant	<b>120V</b> - 120V <b>277V</b> - 277V <b>UNV</b> - 120V-277V <b>347V</b> <sup>14</sup> - 347V  <b>SOLA</b> <b>10W</b> - 10 W output, up to 327 lm <b>12W</b> - 12 W output, up to 380 lm  <b>DUO</b> <b>8W</b> - 8 W output, up to 221 lm  <sup>14</sup> Available with RDI driver only. Please consult factory.	<b>8W</b> - 8 W output, up to 582 lm <b>10W</b> - 10 W output, up to 671 lm <b>12W</b> - 12 W output, up to 782 lm  <b>SOLA</b> <b>10W</b> - 10 W output, up to 327 lm <b>12W</b> - 12 W output, up to 380 lm  <b>DUO</b> <b>8W</b> - 8 W output, up to 221 lm  <sup>15</sup> Available with 120V only. <sup>16</sup> On-site commissioning is required. <sup>17</sup> For emergency battery, code will be like the following example: RDI+EB.	<b>RD1</b> - 1% 0-10V <b>RELV</b> <sup>15</sup> - ELV 120V <b>RTRI</b> <sup>15</sup> - TRIAC 120V <b>RLDE1</b> <sup>16</sup> - Lutron Hi-Lume 1% Eco  <b>SOLA</b> <b>SDI</b> - Single 0-10V input <b>RSELV</b> <sup>15</sup> - ELV 120V <b>RSTRI</b> <sup>15</sup> - TRIAC 120V  <sup>15</sup> Available with 120V only. <sup>16</sup> On-site commissioning is required. <sup>17</sup> For emergency battery, code will be like the following example: RDI+EB.	<b>RDA</b> <sup>16</sup> - DALI <b>RELD1</b> - eldoLED 1% ECOdrive 0-10V <b>RELDO</b> - eldoLED 0.1% SOLOdrive 0-10V <b>+EB</b> <sup>17</sup> - Emergency battery  <b>DUO</b> <b>RDMX</b> <sup>16</sup> - DMX <b>RDDA</b> <sup>16</sup> - DALI DT6 <b>RDDA8</b> <sup>16</sup> - DALI DT8  <b>RDD1</b> - Dual 0-10V input for CCT/intensity <b>RPSQO</b> <sup>16</sup> - Lutron T-Series 1% tunable white

### EXAMPLE CODE:

<b>LIGHT</b>	PETICYP-9IN-FTMB-GLR-NA-SDL-SW-45DEG-3STP-90CRI-35K-REMOTE-FLR3-FTMW-BPC36IN	<b>REMOTE DRIVER</b>	RDB1-2X-PETICYP-120V-10W-RDI RDB2-1X-PETICYP-120V-10W-RDI
--------------	--	----------------------	--

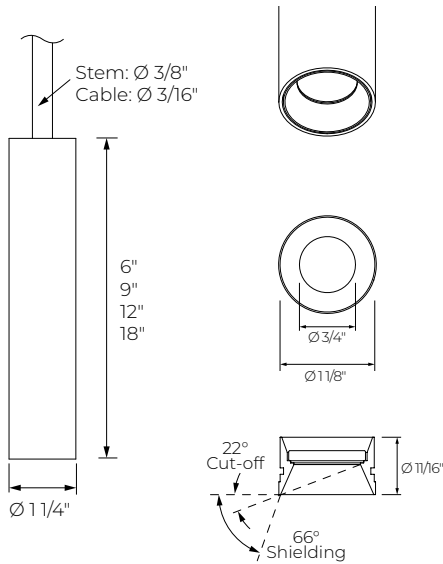


# PETITE 1" CYLINDER PENDANT

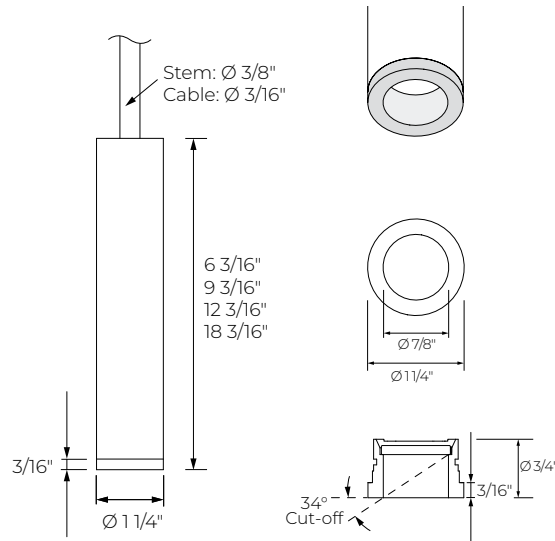


## Dimensions

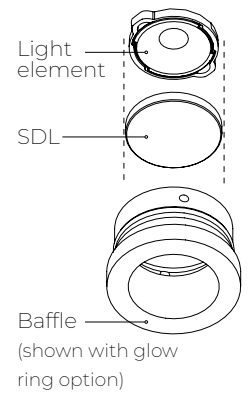
### BEVEL



### GLOW RING



## Lens



## Mounting

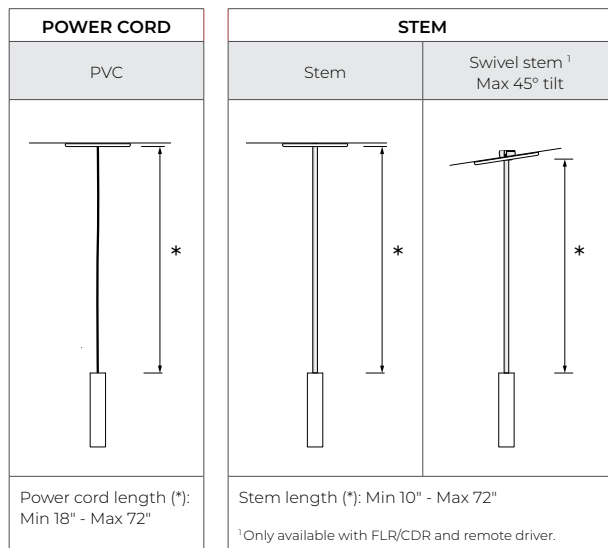
### CANOPY

	INTEGRAL DRIVER				REMOTE DRIVER			
	FLR	FLR3	CDR	DR	FLR	FLR3	CDR	DR
	Flat round canopy, 4" octagonal j-box	Flat round canopy, Ø 3"	Conduit feed, round canopy	Deep round canopy	Flat round canopy, 4" octagonal j-box	Flat round canopy, Ø 3"	Conduit feed, round canopy	Deep round canopy
Canopy size	Ø 4 1/2" Height 3/8"	Ø 3" Height 1/4"	Ø 5 1/2" Height 1 15/16"	Ø 5 5/8" Height 1 3/8"	Ø 4 1/2" Height 3/8"	Ø 3" Height 1/4"	Ø 5 1/2" Height 1 15/16"	Ø 5 5/8" Height 1 3/8"
Suspension	Power cord, Stem				Power cord, Stem, Swivel stem	Power cord, Stem	Power cord, Stem, Swivel stem	Power cord, Stem

# PETITE 1" CYLINDER PENDANT

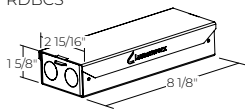


## SUSPENSION

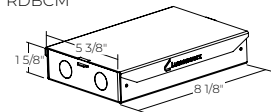


## REMOTE DRIVER BOX

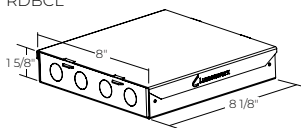
### RDBCS



### RDBCM

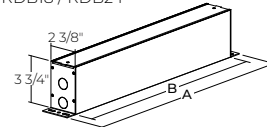


### RDBCL

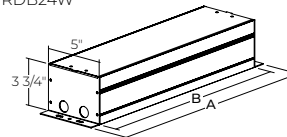


DRIVER	RDB	# DRIVERS
RD1	RDBCS	1X
RSD1	RDBCM	2X
	RDBCL	3X
RELV	RDBCS	1X
RTRI		
RDA		
RELD0		
RELD1	RDBCM	2X, 3X
RSELV		
RSTRI		

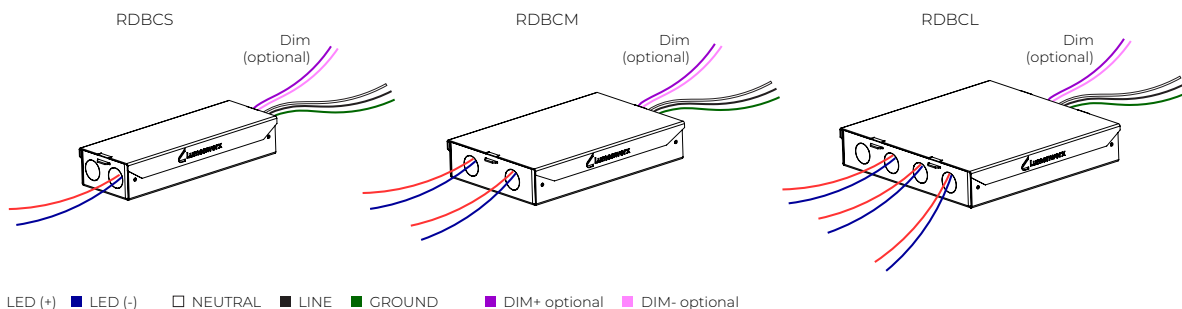
### RDB18 / RDB24



### RDB24W



DRIVER	RDB	A	B
RLDE1	RDB18	20"	18"
RDMX	RDB24	26"	24"
RDDA			
RDDA8			
RDD1			
RPSQ0	RDB24W	26"	24"
RD1+EB			
RELV+EB			
RTRI+EB			
RLDE1+EB	RDB24W	26"	24"
RDA+EBI			
RELD1+EB			
RELD0+EB			

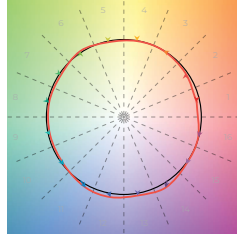


# PETITE 1" CYLINDER PENDANT



## Color Quality

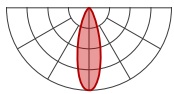
COLOR QUALITY - 3500K	
TM-30 R <sub>r</sub>	91
TM-30 R <sub>g</sub>	100
CRI	90
R9	> 50



## Photometrics

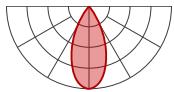
### STATIC WHITE

Values calculated based on 3500K, 90 CRI, and with no lens. The light distribution will vary depending on baffle style and baffle finish.



35DEG - 35° Narrow flood

WATTAGE		8 W		10 W		12 W	
Baffle style	Baffle finish	lm	lm/W	lm	lm/W	lm	lm/W
Bevel	White	549	69	633	63	737	61
	Black, Champagne	447	56	517	52	602	50
	Specular, Semi-specular	523	65	604	60	703	59
Glow ring		555	69	641	64	746	62



45DEG - 45° Flood

WATTAGE		8 W		10 W		12 W	
Baffle style	Baffle finish	lm	lm/W	lm	lm/W	lm	lm/W
Bevel	White	582	73	671	67	782	65
	Black, Champagne	470	59	412	41	480	40
	Specular, Semi-specular	557	70	643	64	749	62
Glow ring		560	70	646	65	752	63

### MULTIPLIERS

Please follow the multiplier tables to ensure correct lumen value. CCT, CRI, and lensing will change the lumen value.

CCT		CRI		LENS	
2700K	0.91	80 CRI	1	SDL - Soft diffused lens, Solite	0.91
3000K	0.96	90 CRI	1	NOL - No lens	1
3500K	1	95 CRI	0.77		
4000K	1.01				

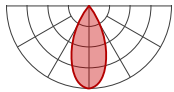
# PETITE 1" CYLINDER PENDANT



## Photometrics

### SOLA/DUO

Values calculated based on with no lens. The light distribution will vary depending on baffle style and baffle finish.



45DEG - 45° Flood

#### SOLA

WATTAGE			10 W		12 W	
CCT	Baffle style	Baffle finish	lm	lm/W	lm	lm/W
3000K	Bevel	White	327	33	380	32
		Black, Champagne	265	26	308	26
		Specular, Semi-specular	313	31	365	30
	Glow ring		314	31	366	30
2700K	Bevel	White	327	33	380	32
		Black, Champagne	265	26	308	26
		Specular, Semi-specular	313	31	365	30
	Glow ring		314	31	366	30

#### DUO

WATTAGE			8 W	
CCT	Baffle style	Baffle finish	lm	lm/W
6500K	Bevel	White	219	27
		Black, Champagne	170	21
		Specular, Semi-specular	192	24
	Glow ring		221	28
5000K	Bevel	White	219	27
		Black, Champagne	170	21
		Specular, Semi-specular	192	24
	Glow ring		221	28
2700K	Bevel	White	192	24
		Black, Champagne	148	19
		Specular, Semi-specular	168	21
	Glow ring		184	23

## MULTIPLIERS

Please follow the multiplier table to ensure correct lumen value. Lensing will change the lumen value.

LENS	
SDL - Soft diffused lens, Solite	0.91
NOL - No lens	1

# PETITE 1" CYLINDER PENDANT



## Technical Specifications

### OPTIC

The CircaFlex™ Optic, uses advanced beamsplitting technology to allow light to follow an intended optical path with maximal precision, minimal spread, and even distribution.

### LIGHT SOURCE

#### Static white

Compact COB (Chip-On-Board) LED module, available in 2700K, 3000K, 3500K and 4000K with a choice of 80 CRI, 90 CRI, or 95 CRI, with elevated R9 value for 90 CRI and above. Color consistency is maintained to within 2 SDCM. All LEDs have been tested in accordance with IESNA LM-80-08 and the results have shown L80 lumen maintenance greater than 60,000 hours. Absolute product photometry is measured and presented in accordance with IESNA LM-79, unless otherwise indicated.

#### Chromawerx SOLA

Chromawerx SOLA is single-channel control that dims output while warming the color temperature in a pre-determined relationship. Two color temperature range options are offered: 3000K to 1800K, and 2700K to 1800K. A simple analog control adjusts a specially populated LED array to emulate the effect of dimming a filament source.

#### Chromawerx DUO

Chromawerx DUO offers a two-channel control system which uses analog or digital protocols for synchronous control of both cool to warm LED arrays - maintaining a CRI above 90. Two color temperature range options are offered: 6500K to 2700K, and 5000K to 2700K. The range of color DUO offers is useful for entraining circadian rhythms, stimulating alertness, and compensating for jet lag among other applications. The Chromawerx drivers are programmed to limit maximum light output and power usage across all color temperatures. When paired with DALI drivers (DDA/DDA8), color tuning follows a linear dimming curve.

### ELECTRICAL

Unless otherwise specified, dimming down to 1%. At maximum driver load: efficiency > 84%, PF > 0.9, THD < 20%.

**Integral:** 0-10V, ELV, TRIAC, eldoLED 0.1% SOLOdrive 0-10V, eldoLED 1% ECOdrive 0-10V

**Remote:** 0-10V, ELV, TRIAC, Lutron Hi-Lume 1% EcoSystem, DALI, eldoLED 0.1% SOLOdrive 0-10V, eldoLED 1% ECOdrive 0-10V, DMX, Lutron T-series (tunable white)

**Emergency battery option:** Remotely-installed, long-life, high-temperature, maintenance-free, Bodine Lithium-Ion battery pack with self-test functionality, test switch and charge indicator. IOTA and Fulham options available upon request. Minimum of 90 minutes operation, and recharge time of 24 hours. For fixtures less than 10 W, the battery provides 6 W of emergency light output. For fixtures 10 W and over, the battery provides 10 W.

### PoE

Depending on the PoE manufacturer selected, Lumenwerx will install the node in factory as either integral to the luminaire or as a remote module. Factory programming of the PoE node may or may not enable the following functionalities: lumen package, DUO (tunable white), QUADRO (RGBW), emergency battery backup, and sensor integration. These must be addressed and evaluated on a case-by-case basis.

### CONSTRUCTION

**Housing:** Die-cast and extruded aluminum

**Power cord:** Black and white PVC. 18" to 72" standard length.

**Stem:** Ø 3/8" rigid stem and swivel stem 10" to 72" standard length.

**Canopy:** Flat, Flat Ø 3", conduit feed, and deep

**Finish:** Textured matte white, black, and champagne. Custom colors also available (provide RAL #). Specular and semi-specular finishes are also available for Baffle.

**Baffle:** Die-cast aluminum

**Glow ring:** Acrylic

**Heat sink:** Die-cast aluminum

### WEIGHT

**6":** 0.84 lbs - 0.38 kg

**9":** 1.06 lbs - 0.48 kg

**12":** 1.28 lbs - 0.58 kg

**18":** 1.65 lbs - 0.75 kg

### LENS



Soft diffused  
lens, Solite

### ENVIRONMENT

Ambient temperature at fixture location shall be within 0°C/32°F - 25°C/77°F, indoor dry or damp as well as outdoor damp use (canopies or marquees).

### CERTIFICATION

**ETL:** Rated for indoor dry/damp locations. Conforms to UL Standard 1598 and certified to CAN/CSA Standard C22.2 No. 250.0.

### WARRANTY

Lumenwerx provides a five-year limited warranty of electrical and mechanical performance of the luminaires, including the LED boards, drivers, and auxiliary electronics. Lumenwerx will repair or replace defective luminaires or components at our discretion, provided they have been installed and operated in accordance with our specifications. Other limitations apply, please refer to the full warranty on our website.