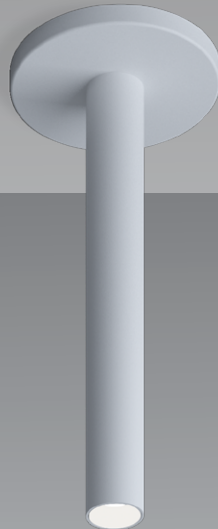


PETITE 1" CYLINDER

SURFACE



12" Height
Glow ring
Flat Ø 3" canopy

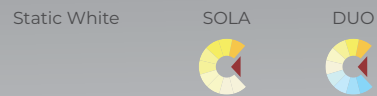


9" Height
Bevel
Flat canopy

Beam Angles



Light Source



Performance

LUMEN OUTPUT ¹	WATTS	EFFICACY
582 lm	8 W	73 lm/W
671 lm	10 W	67 lm/W
782 lm	12 W	65 lm/W

¹Lumen packages are assuming 3500K, 90 CRI, 45° beam, white bevel baffle, and with no lens.

Mounting Options



Flat Flat Ø 3" Conduit

The Petite family strikes that perfect balance of compact size, streamlined aesthetics, and high performance. Through their 1" lens apertures, these meticulously engineered downlight, cylinder, and multi-aperture luminaires breathe light into spaces with a quiet, straightforward sophistication.

Petite Family (Refer to other spec sheets)

Downlight



Adjustable



Recessed



Wall Wash

Multi-aperture



Adjustable



Recessed



Wall Wash

Cylinder



Pendant



Surface

PETITE 1" CYLINDER SURFACE



Project: _____
 Type: _____

Order Guide

LUMINAIRE ID ¹	CYLINDER HEIGHT	CYLINDER FINISH	BAFFLE STYLE	BAFFLE FINISH Specify NA for Glow ring
PETICYS				
PETICYS - Petite 1" Cylinder Surface ¹ Pendant also available. Consult other spec sheet.	6IN - 6" 9IN - 9" 12IN - 12" 18IN - 18" CH#IN ² - Custom height ² Specify height (#) in 1" increments only. Up to maximum 36".	FTMW - Textured matte white FTMB - Textured matte black FCHP - Champagne CF# - Custom finish, specify RAL#	BVL - Bevel GLR - Glow ring	FTMW - Textured matte white FTMB - Textured matte black FSPC - Specular FSSPC - Semi-specular FCHP - Champagne CF# - Custom finish, specify RAL# NA - Not applicable

LENS	LIGHT SOURCE	BEAM	COLOR QUALITY	CRI
At baffle	SW - Static white	35DEG - 35° Narrow flood 45DEG - 45° Flood	2STP - 2 Step MacAdam Ellipse 3STP - 3 Step MacAdam Ellipse	90CRI - 90 CRI 95CRI - 95 CRI 80CRI - 80 CRI
SDL - Soft diffused lens, Solite NOL - No lens	SOLA - Dim-to-warm single channel control DUO - Tunable white 2-channel control	45DEG - 45° Flood	3STP - 3 Step MacAdam Ellipse	90CRI - 90 CRI

COLOR TEMPERATURE	DRIVER	VOLTAGE	WATTAGE	DIMMING ⁴	CANOPY TYPE ⁶	CANOPY FINISH
27K - 2700K 30K - 3000K 35K - 3500K 40K - 4000K SOLA 30K18K - 3000K to 1800K 27K18K - 2700K to 1800K DUO 65K27K - 6500K to 2700K 50K27K - 5000K to 2700K	INTEGRAL	120V - 120V 277V - 277V UNV - 120V-277V	8W - 8 W output, up to 582 lm 10W - 10 W output, up to 671 lm 12W - 12 W output, up to 782 lm SOLA 10W - 10 W output, up to 327 lm 12W - 12 W output, up to 380 lm	D1 - 1% 0-10V ELV ⁵ - ELV 120V TRI ⁵ - TRIAC 120V SOLA SD1 - Single 0-10V input SELV ⁵ - ELV 120V STRI ⁵ - TRIAC 120V ⁴ PoE (Power-over-Ethernet) compatible. Consult factory for details. ⁵ Available with 120V only.	FLR - Flat round canopy, 4" octagonal junction box FLR3 - Flat round canopy, Ø 3" CDR - Conduit feed, round canopy ⁶ See page 3 for details.	FTMW - Textured matte white FTMB - Textured matte black FCHP - Champagne CF# - Custom finish, specify RAL#
	REMOTE ³	DO NOT SPECIFY FOR REMOTE. SEE "REMOTE DRIVER BOX" SECTION BELOW.				

³A remote driver box is provided, see page 4 for details.

Remote Driver Box Ordered separately. Specify each required remote driver box on a separate line.

REMOTE DRIVER ⁷	LUMINAIRE QTY.	LUMINAIRE ID	VOLTAGE	WATTAGE	DIMMING	
		PETICYS				
RDB# - Remote driver box ⁷ Specify an RDB number (#) for each required remote driver box.	1X - 1 luminaire 2X ⁸ - 2 luminaires 3X ⁸ - 3 luminaires	PETICYS - Petite 1" Cylinder Surface	120V - 120V 277V - 277V UNV - 120V-277V 347V ⁹ - 347V ⁹ Available with RD1 driver only. Please consult factory.	8W - 8 W output, up to 582 lm 10W - 10 W output, up to 671 lm 12W - 12 W output, up to 782 lm SOLA 10W - 10 W output, up to 327 lm 12W - 12 W output, up to 380 lm DUO 8W - 8 W output, up to 221 lm	RD1 - 1% 0-10V RELV ¹⁰ - ELV 120V RTRI ¹⁰ - TRIAC 120V RLDEI ¹¹ - Lutron Hi-Lume 1% Eco SOLA RSD1 - Single 0-10V input RSELV ¹⁰ - ELV 120V RSTRI ¹⁰ - TRIAC 120V ¹⁰ Available with 120V only. ¹¹ On-site commissioning is required. ¹² For emergency battery, code will be like the following example: RD1+EB.	RDA ¹¹ - DALI RELD1 - eldoLED 1% ECOdrive 0-10V RELDO - eldoLED 0.1% SOLdrive 0-10V +EB ¹² - Emergency battery DUO RDMX ¹¹ - DMX RDDA ¹¹ - DALI DT6 RDDA8 ¹¹ - DALI DT8 RDD1 - Dual 0-10V input for CCT/intensity RPSQO ¹¹ - Lutron T-Series 1% tunable white

EXAMPLE CODE:

LIGHT	PETICYS-9IN-FTMB-GLR-NA-SDL-SW-45DEG-3STP-90CRI-35K-REMOTE-FLR3-FTMW	REMOTE DRIVER	RDB1-2X-PETICYS-120V-10W-RD1 RDB2-1X-PETICYS-120V-10W-RD1
--------------	--	----------------------	--



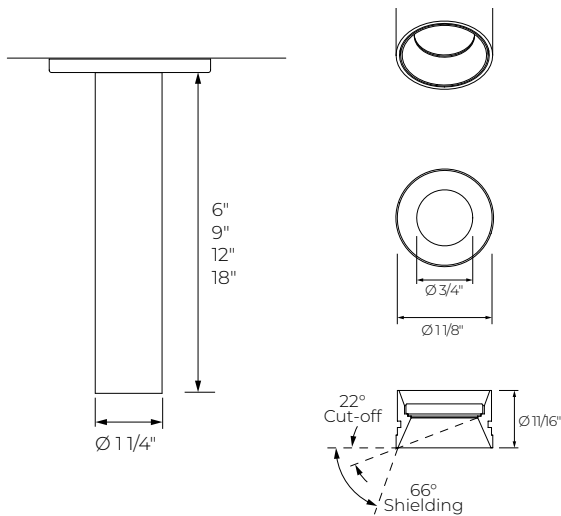
PETITE 1" CYLINDER

SURFACE

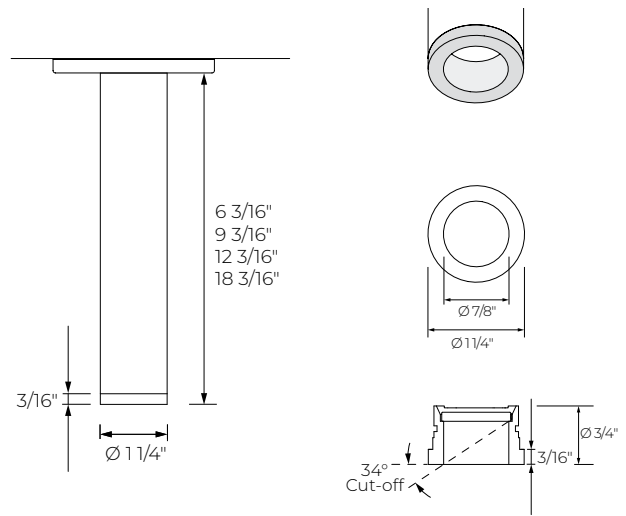


Dimensions

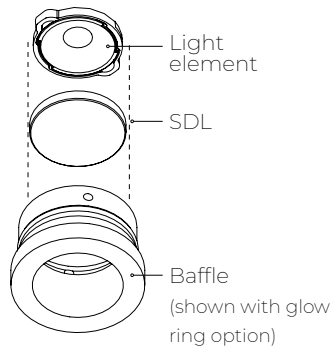
BEVEL



GLOW RING



Lens



Mounting

CANOPY

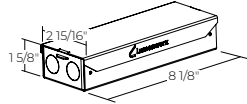
	INTEGRAL DRIVER			REMOTE DRIVER		
	FLR Flat round canopy, 4" octagonal j-box	FLR3 Flat round canopy, Ø 3"	CDR Conduit feed, round canopy	FLR Flat round canopy, 4" octagonal j-box	FLR3 Flat round canopy, Ø 3"	CDR Conduit feed, round canopy
Canopy size	Ø 4 1/2" Height 3/8"	Ø 3" Height 1/4"	Ø 5 1/2" Height 1 15/16"	Ø 4 1/2" Height 3/8"	Ø 3" Height 1/4"	Ø 5 1/2" Height 1 15/16"

PETITE 1" CYLINDER SURFACE

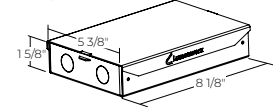


REMOTE DRIVER BOX

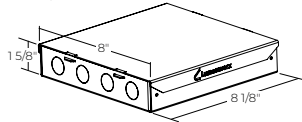
RDBCS



RDBCM

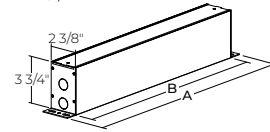


RDBCL

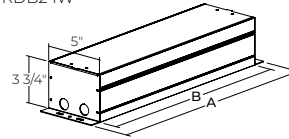


DRIVER	RDB	# DRIVERS
RD1	RDBCS	1X
RSD1	RDBCM	2X
	RDBCL	3X
RELV	RDBCS	1X
RTRI		
RDA		
RELD0		
RELD1	RDBCM	2X, 3X
RSELV		
RSTRI		

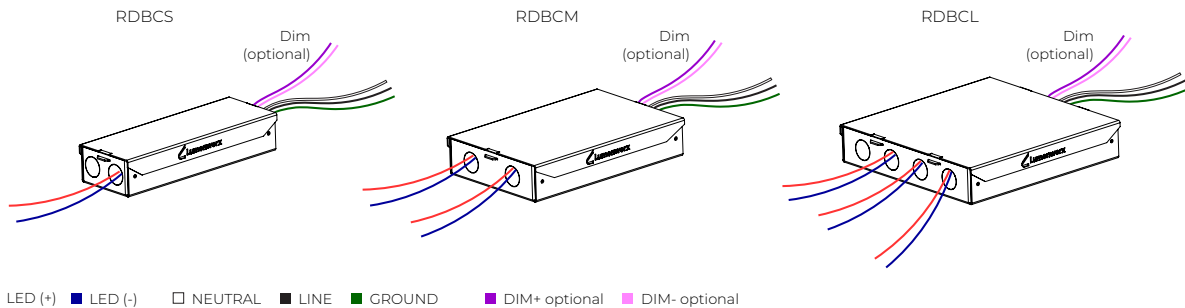
RDB18 / RDB24



RDB24W



DRIVER	RDB	A	B
RLDE1	RDB18	20"	18"
RDMX	RDB24	26"	24"
RDDA			
RDDA8			
RDD1			
RPSQ0	RDB24W	26"	24"
RD1+EB			
RELV+EB			
RTRI+EB	RDB24W	26"	24"
RLDE1+EB			
RDA+EBI			
RELD1+EB			
RELD0+EB			

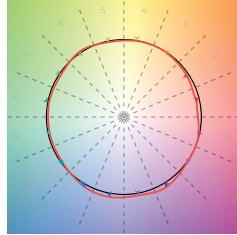


PETITE 1" CYLINDER SURFACE



Color Quality

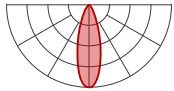
COLOR QUALITY - 3500K	
TM-30 R _r	91
TM-30 R _g	100
CRI	90
R9	> 50



Photometrics

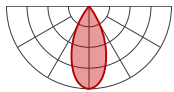
STATIC WHITE

Values calculated based on 3500K, 90 CRI, and with no lens. The light distribution will vary depending on baffle style and baffle finish.



35DEG - 35° Narrow flood

WATTAGE		8 W		10 W		12 W	
Baffle style	Baffle finish	lm	lm/W	lm	lm/W	lm	lm/W
Bevel	White	549	69	633	63	737	61
	Black, Champagne	447	56	517	52	602	50
	Specular, Semi-specular	523	65	604	60	703	59
Glow ring		555	69	641	64	746	62



45DEG - 45° Flood

WATTAGE		8 W		10 W		12 W	
Baffle style	Baffle finish	lm	lm/W	lm	lm/W	lm	lm/W
Bevel	White	582	73	671	67	782	65
	Black, Champagne	470	59	412	41	480	40
	Specular, Semi-specular	557	70	643	64	749	62
Glow ring		560	70	646	65	752	63

MULTIPLIERS

Please follow the multiplier tables to ensure correct lumen value. CCT, CRI, and lensing will change the lumen value.

CCT		CRI		LENS	
2700K	0.91	80 CRI	1	SDL - Soft diffused lens, Solite	0.91
3000K	0.96	90 CRI	1	NOL - No lens	1
3500K	1	95 CRI	0.77		
4000K	1.01				

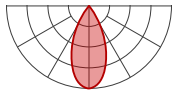
PETITE 1" CYLINDER SURFACE



Photometrics

SOLA/DUO

Values calculated based on with no lens. The light distribution will vary depending on baffle style and baffle finish.



45DEG - 45° Flood

SOLA

WATTAGE			10 W		12 W	
CCT	Baffle style	Baffle finish	lm	lm/W	lm	lm/W
3000K	Bevel	White	327	33	380	32
		Black, Champagne	265	26	308	26
		Specular, Semi-specular	313	31	365	30
	Glow ring		314	31	366	30
2700K	Bevel	White	327	33	380	32
		Black, Champagne	265	26	308	26
		Specular, Semi-specular	313	31	365	30
	Glow ring		314	31	366	30

DUO

WATTAGE			8 W	
CCT	Baffle style	Baffle finish	lm	lm/W
6500K	Bevel	White	219	27
		Black, Champagne	170	21
		Specular, Semi-specular	192	24
	Glow ring		221	28
5000K	Bevel	White	219	27
		Black, Champagne	170	21
		Specular, Semi-specular	192	24
	Glow ring		221	28
2700K	Bevel	White	192	24
		Black, Champagne	148	19
		Specular, Semi-specular	168	21
	Glow ring		184	23

MULTIPLIERS

Please follow the multiplier table to ensure correct lumen value. Lensing will change the lumen value.

LENS	
SDL - Soft diffused lens, Solite	0.91
NOL - No lens	1

PETITE 1" CYLINDER SURFACE



Technical Specifications

OPTIC

The CircaFlex™ Optic, uses advanced beamsplitting technology to allow light to follow an intended optical path with maximal precision, minimal spread, and even distribution.

LIGHT SOURCE

Static white

Compact COB (Chip-On-Board) LED module, available in 2700K, 3000K, 3500K and 4000K with a choice of 80 CRI, 90 CRI, or 95 CRI, with elevated R9 value for 90 CRI and above. Color consistency is maintained to within 2 SDCM. All LEDs have been tested in accordance with IESNA LM-80-08 and the results have shown L80 lumen maintenance greater than 60,000 hours. Absolute product photometry is measured and presented in accordance with IESNA LM-79, unless otherwise indicated.

Chromawerx SOLA

Chromawerx SOLA is single-channel control that dims output while warming the color temperature in a pre-determined relationship. Two color temperature range options are offered: 3000K to 1800K, and 2700K to 1800K. A simple analog control adjusts a specially populated LED array to emulate the effect of dimming a filament source.

Chromawerx DUO

Chromawerx DUO offers a two-channel control system which uses analog or digital protocols for synchronous control of both cool to warm LED arrays - maintaining a CRI above 90. Two color temperature range options are offered: 6500K to 2700K, and 5000K to 2700K. The range of color DUO offers is useful for entraining circadian rhythms, stimulating alertness, and compensating for jet lag among other applications. The Chromawerx drivers are programmed to limit maximum light output and power usage across all color temperatures. When paired with DALI drivers (DDA/DDA8), color tuning follows a linear dimming curve.

ELECTRICAL

Unless otherwise specified, dimming down to 1%. At maximum driver load: efficiency>84%, PF>0.9, THD<20%.

Integral: 0-10V, ELV, TRIAC

Remote: 0-10V, ELV, TRIAC, Lutron Hi-Lume 1% EcoSystem, DALI, eldoLED 0.1% SOLOdrive 0-10V, eldoLED 1% ECOdrive 0-10V, DMX, Lutron T-series (tunable white)

Emergency battery option: Remotely-installed, long-life, high-temperature, maintenance-free, Bodine Lithium-Ion battery pack with self-test functionality, test switch and charge indicator. IOTA and Fulham options available upon request. Minimum of 90 minutes operation, and recharge time of 24 hours. For fixtures less than 10 W, the battery provides 6 W of emergency light output. For fixtures 10 W and over, the battery provides 10 W.

PoE

Depending on the PoE manufacturer selected, Lumenwerx will install the node in factory as either integral to the luminaire or as a remote module. Factory programming of the PoE node may or may not enable the following functionalities: lumen package, DUO (tunable white), QUADRO (RGBW), emergency battery backup, and sensor integration. These must be addressed and evaluated on a case-by-case basis.

CONSTRUCTION

Housing: Die-cast and extruded aluminum

Canopy: Flat, flat Ø 3", and conduit feed

Finish: Textured matte white, black, and champagne. Custom colors also available (provide RAL #). Specular and semi-specular finishes are also available for Baffle.

Baffle: Die-cast aluminum

Glow ring: Acrylic

Heat sink: Die-cast aluminum

WEIGHT

6": 0.84 lbs - 0.38 kg

9": 1.06 lbs - 0.48 kg

12": 1.28 lbs - 0.58 kg

18": 1.65 lbs - 0.75 kg

LENS



Soft diffused
lens, Solite

ENVIRONMENT

Ambient temperature at fixture location shall be within 0°C/32°F - 25°C/77°F, indoor dry or damp as well as outdoor damp use (canopies or marquees).

CERTIFICATION

ETL: Rated for indoor dry/damp locations. Conforms to UL Standard 1598 and certified to CAN/CSA Standard C22.2 No. 250.0.

WARRANTY

Lumenwerx provides a five-year limited warranty of electrical and mechanical performance of the luminaires, including the LED boards, drivers, and auxiliary electronics. Lumenwerx will repair or replace defective luminaires or components at our discretion, provided they have been installed and operated in accordance with our specifications. Other limitations apply, please refer to the full warranty on our website.