

PETITE 1" DOWNLIGHT

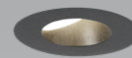
ROUND RECESSED WALL WASH



Flanged Trim



Flush Flanged Trim



The Petite family strikes that perfect balance of compact size, streamlined aesthetics, and high performance. Through their 1" lens apertures, these meticulously engineered downlight, cylinder, and multi-aperture luminaires breathe light into spaces with a quiet, straightforward sophistication.

Beam Angle



Wall Wash

Light Source

Static White

SOLA

DUO



Performance

LUMEN OUTPUT ¹	WATTS	EFFICACY
243 lm	7 W	35 lm/W
316 lm	10 W	32 lm/W
422 lm	14 W	30 lm/W

¹ Lumen packages are assuming 3500K, 90 CRI, flush trim, and white baffle.

Ceiling Types



Drywall



Millwork



Acoustic Tile

Plenum Clearance

As low as 1 3/4"



Petite Family (Refer to other spec sheets)

Downlight



Adjustable



Recessed



Wall Wash

Multi-aperture



Adjustable



Recessed



Wall Wash

Cylinder



Pendant



Surface

PETITE 1" DOWNLIGHT

ROUND RECESSED WALL WASH



Project: _____
 Type: _____

Order Guide

LUMINAIRE ID ¹	TRIM STYLE	LENS	CEILING THICKNESS	INSTALLATION TYPE ²	MOUNTING OPTION ⁵
PETIRRWW		WW			
PETIRRWW - Petite 1" Round Recessed Wall Wash ¹ Recessed (fixed) and Recessed Adjustable also available. Consult other spec sheets.	TRM - Flanged trim TRMP - Flush flanged trim drywall mudplate TRMW - Flush flanged trim millwork	WW - Wall wash diffuser	05IN - Up to 0.5" 1IN - 0.5" - 1"	IC ³ - Type-IC NIC ⁴ - Type Non-IC CP ³ - Chicago Plenum Type-IC (CCEA) ² See page 3 for more details. ³ Up to 10 W with 90 CRI. ⁴ Up to 14 W with 90 CRI.	ASB - Adjustable standard bar hangers FMB - Flush mount bars ACB - Adjustable commercial bar hangers AHC - Adjustable hat channel bars NA - None ⁵ See page 5 for more details.

LIGHT SOURCE	BEAM	COLOR QUALITY	CRI	COLOR TEMPERATURE
	WW			
SW - Static white SOLA - Dim-to-warm single channel control DUO - Tunable white 2-channel control	WW - Wall wash	2STP - 2 Step MacAdam Ellipse 3STP - 3 Step MacAdam Ellipse 3STP - 3 Step MacAdam Ellipse	90CRI - 90 CRI 95CRI - 95 CRI 80CRI - 80 CRI 90CRI - 90 CRI	27K - 2700K 30K - 3000K 35K - 3500K 40K - 4000K SOLA 30K18K - 3000K to 1800K 27K18K - 2700K to 1800K DUO 65K27K - 6500K to 2700K 50K27K - 5000K to 2700K

DRIVER	VOLTAGE	WATTAGE	DIMMING ¹¹	BAFFLE FINISH	TRIM FLANGE FINISH
INTEGRAL ⁶ ⁶ Access above the ceiling is required. ⁷ A remote driver box is provided, see page 4 for details.	120V - 120V 277V - 277V UNV - 120V-277V	7W - 7 W output, up to 243 lm 10W ⁸ - 10 W output, up to 316 lm 14W ^{9,10} - 14 W output, up to 422 lm ⁸ Not available with 95 CRI when specified with IC/CP. ⁹ Only available with 90 CRI when specified with NIC. ¹⁰ Not available with IC/CP.	D1 - 1% 0-10V ELV ¹² - ELV 120V TRI ¹² - TRIAC 120V ELD1 - eldoLED 1% ECOdrive 0-10V ELD0 - eldoLED 0.1% SOLOdrive 0-10V PEQO ¹³ - Lutron Hi-lume Premier 0.1% EcoSystem ¹¹ PoE (Power-over-Ethernet) compatible. Consult factory for details. ¹² Available with 120V only. ¹³ On-site commissioning is required.	FTMW - Textured matte white FTMB - Textured matte black FSPC - Specular FSSPC - Semi-specular FCHP - Champagne CF# - Custom finish, specify RAL#	FTMW - Textured matte white FTMB - Textured matte black FSPC - Specular FSSPC - Semi-specular FCHP - Champagne CF# - Custom finish, specify RAL#
REMOTE ⁷	DO NOT SPECIFY FOR REMOTE. SEE "REMOTE DRIVER BOX" SECTION BELOW.				

Remote Driver Box Ordered separately. Specify each required remote driver box on a separate line.

REMOTE DRIVER ¹⁴	LUMINAIRE QTY.	LUMINAIRE ID	VOLTAGE	WATTAGE	DIMMING
		PETIRRWW			
RDB# - Remote driver box ¹⁴ Specify an RDB number (#) for each required remote driver box.	1X - 1 luminaire 2X ¹⁵ - 2 luminaires 3X ¹⁵ - 3 luminaires ¹⁵ Not available with RLDE1 or DUO.	PETIRRWW - Petite 1" Round Recessed Wall Wash	120V - 120V 277V - 277V UNV - 120V-277V 347V ¹⁶ - 347V ¹⁶ Available with RD1 driver only. Please consult factory.	7W - 7 W output, up to 243 lm 10W ¹⁷ - 10 W output, up to 316 lm 14W ^{18,19} - 14 W output, up to 422 lm ¹⁷ Available with 90 CRI when specified with IC/CP. ¹⁸ Only available with 90 CRI when specified with NIC. ¹⁹ Not available with IC/CP.	RD1 - 1% 0-10V RELV ²⁰ - ELV 120V RTRI ²⁰ - TRIAC 120V RLDE1 ²¹ - Lutron HI-lume 1% Eco RDA ²¹ - DALI RELD1 - eldoLED 1% ECOdrive 0-10V ²⁰ Available with 120V only. ²¹ On-site commissioning is required. ²² For emergency battery, code will be like the following example: RD1+EB.
			SOLA 10W - 10 W output, up to 244 lm 14W ¹⁹ - 14 W output, up to 324 lm DUO 7W - 7 W output, up to 205 lm	SOLA SD1 - Single 0-10V input SELV ²⁰ - ELV 120V RSTRI ²⁰ - TRIAC 120V DUO RDMX ²¹ - DMX RDDA ²¹ - DALI DT6 RDDA8 ²¹ - DALI DT8	RELD0 - eldoLED 0.1% SOLOdrive 0-10V RPEQO ²¹ - Lutron Hi-lume Premier 0.1% EcoSystem +EB ²² - Emergency battery RDD1 - Dual 0-10V input for CCT/intensity RPSQO ²¹ - Lutron T-Series 1% tunable white

EXAMPLE CODE: **LIGHT** PETIRRWW-TRM-WW-05IN-IC-ASB-SW-WW-2STP-90CRI-35K-REMOTE-FTMW-FTMW **REMOTE DRIVER** RDB1-2X-PETIRRWW-120V-7W-RD1 RDB2-1X-PETIRRWW-120V-7W-RD1

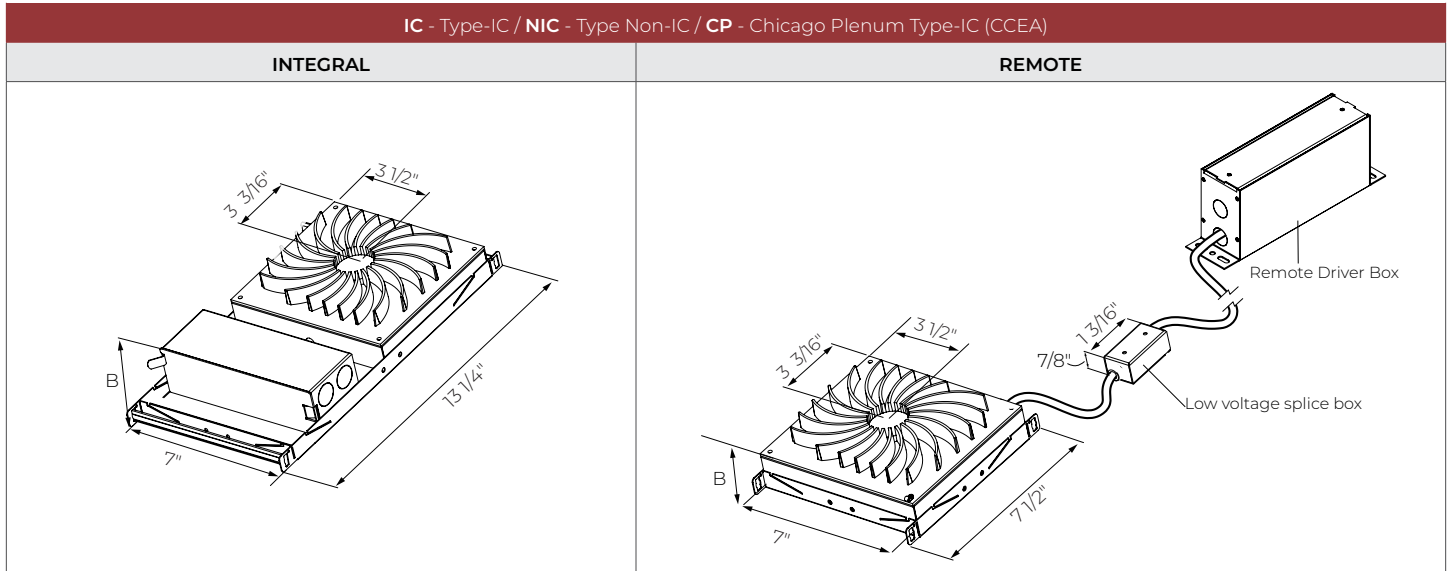


PETITE 1" DOWNLIGHT

ROUND RECESSED WALL WASH

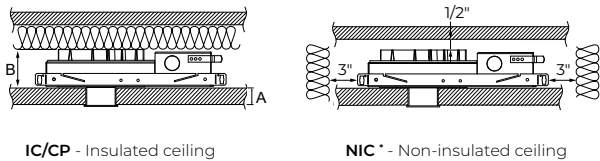


Installation Types

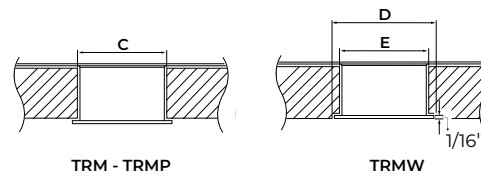


- For integral, access above the ceiling is required.
 - For dimension B, see the PLENUM CLEARANCE table below.

PLENUM CLEARANCE



CUT-OUT DIMENSIONS



PLENUM CLEARANCE HEIGHT AND CEILING THICKNESS					
		IC/CP		NIC	
A	Ceiling thickness	1IN	0.5IN	1IN	0.5IN
B	Integral	2 1/8" (FMB) 4" (ASB, ACB, AHC)		2 5/8" (FMB) 4" (ASB, ACB, AHC)	
	Remote	1 3/4" (FMB) 4" (ASB, ACB, AHC)	2 1/8" (FMB)	2 1/4" (FMB)	2 5/8" (FMB) 4" (ASB, ACB, AHC)

CUT-OUT DIMENSIONS				
		Drywall	Acoustic tile	Millwork
C	TRM	Ø 1 11/16"		N/A
	TRMP	Ø 1 11/16"	N/A	
D	TRMW	N/A		Ø 1 13/16"
E		N/A		Ø 1 11/16" with 1/16" lip



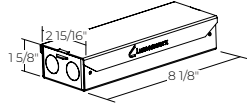
PETITE 1" DOWNLIGHT

ROUND RECESSED WALL WASH

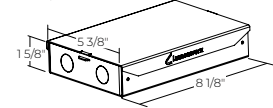


REMOTE DRIVER BOX

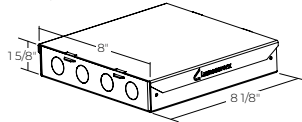
RDBCS



RDBCM

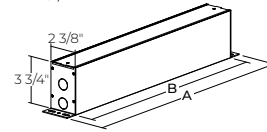


RDBCL

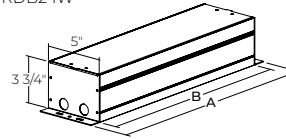


DRIVER	RDB	# DRIVERS
RD1	RDBCS	1X
RSD1	RDBCM	2X
	RDBCL	3X
RELV	RDBCS	1X
RTRI		
RDA		
RELD0		
RELD1		
RPEQ0	RDBCM	2X, 3X
RSELV		
RSTRI		

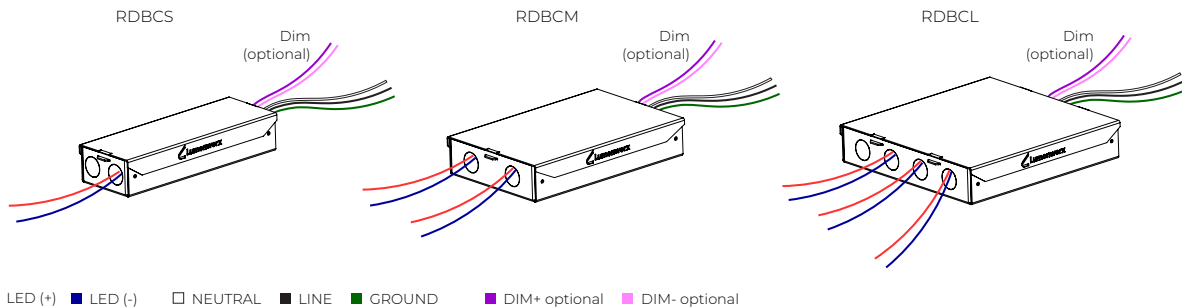
RDB18 / RDB24



RDB24W



DRIVER	RDB	A	B
RLDE1	RDB18	20"	18"
RDMX	RDB24	26"	24"
RDDA			
RDDA8			
RDD1			
RPSQ0			
RD1+EB	RDB24W	26"	24"
RELV+EB			
RTRI+EB			
RPEQ0+EB			
RLDE1+EB	RDB24W	26"	24"
RDA+EBI			
RELD1+EB			
RELD0+EB			



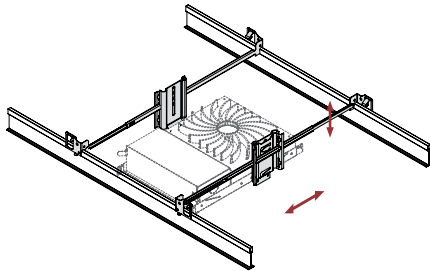
PETITE 1" DOWNLIGHT

ROUND RECESSED WALL WASH



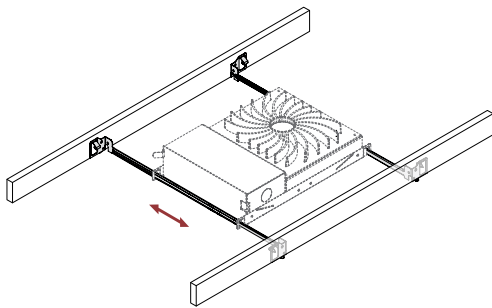
Mounting Options

ASB - Adjustable Standard Bar Hangers



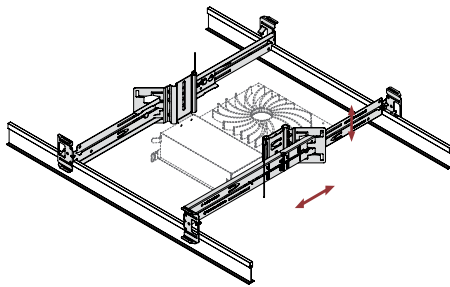
Adjustable Standard Bar hangers can be used in both commercial and residential applications and are adjustable to various heights in both Grid Ceiling and Drywall mounting. ASB hangers are less rigid and versatile than ACB hangers.

FMB - Flush Mount Bars



Flush Mount Bars are best used in residential applications, fitting snug to the surface and suitable for Wood, Metal, and Drywall mounting. The flush mounted bars are static and can't be adjusted.

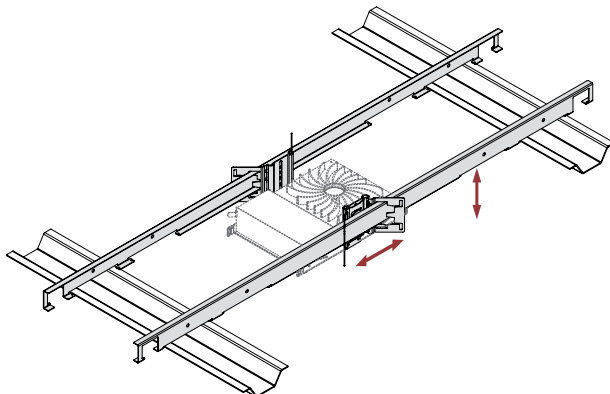
ACB - Adjustable Commercial Bar Hangers



Adjustable Commercial Bar hangers can be used in both commercial and residential applications and are by far the most versatile mounting bar we offer with its adjustability to various heights. ACB hangers are suitable for Grid Ceiling, Drywall, Metal, Wood and Frame mounting.

- Extremely rigid
- Fits into C-Channel notches in a Butterfly Bracket

AHC - Adjustable Hat Channel Bars



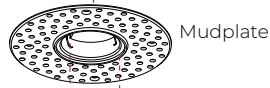
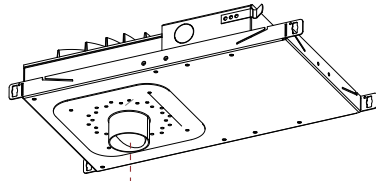
Adjustable Hat Channel bars can be used in both commercial and residential applications and come with a butterfly clip to adjust to various heights. AHC bars can be hung downward by 90 degrees in vertical position, and once wired, can be shifted onto the horizontal mounting plane. AHC bars are suitable for both Drywall and wood ceiling applications.

PETITE 1" DOWNLIGHT

ROUND RECESSED WALL WASH



Trim Style



TRM
Flanged trim

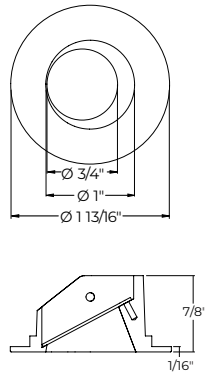


TRMP
Flush flanged trim drywall
mudplate



TRMW
Flush flanged trim
millwork

TRM Flanged Trim	TRMP / TRMW Flush Flanged Trim



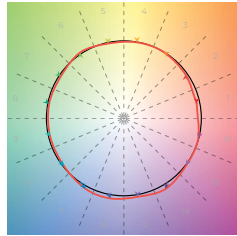
PETITE 1" DOWNLIGHT

ROUND RECESSED WALL WASH



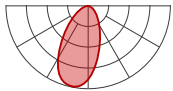
Color Quality

COLOR QUALITY - 3500K	
TM-30 Rr	91
TM-30 Ra	100
CRI	90
R9	> 50



Photometrics

Values calculated based on 3500K and 90 CRI for static white. The light distribution will vary depending on trim style and baffle finish.



WW - Wall Wash

STATIC WHITE

WATTAGE		7 W		10 W		14 W	
Trim style	Baffle finish	lm	lm/W	lm	lm/W	lm	lm/W
Trim	White	243	35	316	32	422	30
	Black, Champagne	190	27	246	25	328	23
	Specular, Semi-specular	217	31	281	28	375	27

MULTIPLIERS

Please follow the multiplier tables to ensure correct lumen value. CCT and CRI will change the lumen value.

CCT		CRI	
2700K	0.91	80 CRI	1
3000K	0.96	90 CRI	1
3500K	1	95 CRI	0.77
4000K	1.01		

SOLA

WATTAGE			10 W		14 W	
CCT	Trim style	Baffle finish	lm	lm/W	lm	lm/W
3000K	Trim	White	244	24	324	23
		Black, Champagne	190	19	252	18
		Specular, Semi-specular	213	21	283	20
2700K	Trim	White	244	24	324	23
		Black, Champagne	190	19	252	18
		Specular, Semi-specular	213	21	283	20

DUO

WATTAGE			7 W	
CCT	Trim style	Baffle finish	lm	lm/W
6000K	Trim	White	205	29
		Black, Champagne	160	23
		Specular, Semi-specular	179	26
5000K	Trim	White	205	29
		Black, Champagne	160	23
		Specular, Semi-specular	179	26
2700K	Trim	White	180	26
		Black, Champagne	140	20
		Specular, Semi-specular	157	22

PETITE 1" DOWNLIGHT

ROUND RECESSED WALL WASH



Technical Specifications

OPTIC

The CircaFlex™ Optic uses advanced beam-splitting technology to allow light to follow an intended optical path with maximal precision, minimal spread, and even distribution.

LIGHT SOURCE

Static white

Compact COB (Chip-On-Board) LED module, available in 2700K, 3000K, 3500K and 4000K with a choice of 80 CRI, 90 CRI, or 95 CRI, with elevated R9 value for 90 CRI and above. Color consistency is maintained to within 2 SDCM. All LEDs have been tested in accordance with IESNA LM-80-08 and the results have shown L80 lumen maintenance greater than 60,000 hours. Absolute product photometry is measured and presented in accordance with IESNA LM-79, unless otherwise indicated.

Chromawerx SOLA

Chromawerx SOLA is single-channel control that dims output while warming the color temperature in a pre-determined relationship. Two color temperature range options are offered: 3000K to 1800K, and 2700K to 1800K. A simple analog control adjusts a specially populated LED array to emulate the effect of dimming a filament source.

Chromawerx DUO

Chromawerx DUO offers a two-channel control system which uses analog or digital protocols for synchronous control of both cool to warm LED arrays - maintaining a CRI above 90. Two color temperature range options are offered: 6500K to 2700K, and 5000K to 2700K. The range of color DUO offers is useful for entraining circadian rhythms, stimulating alertness, and compensating for jet lag among other applications. The Chromawerx drivers are programmed to limit maximum light output and power usage across all color temperatures. When paired with DALI drivers (DDA/DDA8), color tuning follows a linear dimming curve.

ELECTRICAL

Unless otherwise specified, dimming down to 1%. At maximum driver load: efficiency > 84%, PF > 0.9, THD < 20%.

Integral: 0-10V, ELV, TRIAC, eldoLED 1% ECOdrive 0-10V, eldoLED 0.1% SOLOdrive 0-10V, Lutron Hi-lume Premier 0.1% EcoSystem

Remote: 0-10V, ELV, TRIAC, Lutron Hi-lume 1% Eco, DALI, eldoLED 1% ECOdrive 0-10V, eldoLED 0.1% SOLOdrive 0-10V, Lutron Hi-lume Premier 0.1% EcoSystem, DMX, Lutron T-series (tunable white)

Emergency battery option: Remotely-installed, long-life, high-temperature, maintenance-free, Bodine Lithium-Ion battery pack with self-test functionality, test switch and charge indicator. IOTA and Fulham options available upon request. Minimum of 90 minutes operation, and recharge time of 24 hours. For fixtures less than 10 W, the battery provides 6 W of emergency light output. For fixtures 10 W and over, the battery provides 10 W.

PoE: Depending on the PoE manufacturer selected, Lumenwerx will install the node in factory as either integral to the luminaire, or as a remote module. Factory programming of the PoE node may or may not enable the following functionalities: lumen package, DUO (tunable white), QUADRO (RGBW), emergency battery backup, and sensor integration. These must be addressed and evaluated on a case-by-case basis.

CONSTRUCTION

Housing: For new construction, 20 gauge powder coated steel. 18 gauge galvanized steel junction box with ½" trade size knockouts. Adjustable hanger bars and butterfly brackets are included.

Adjustable commercial hat channel and flush mounted brackets are also available.

Baffle: Die-cast aluminum mounted with retaining spring clips

Heat sink: Die-cast aluminum

WEIGHT

Integral: 4 lbs - 1.8 kg

Remote: 2.1 lbs. - 0.95 kg

LENS



Wall Wash

ENVIRONMENT

Ambient temperature at fixture location shall be within 0°C/32°F - 25°C/77°F, indoor dry or damp as well as outdoor damp use (canopies or marquees)

CERTIFICATIONS

ETL: Rated for indoor dry/damp locations. Conforms to UL Standard 1598 and certified to CAN/CSA Standard C22.2 No. 250.0.

Chicago Plenum: City of Chicago approved (CCEA) when specified with CP installation type option.

IC rated: Suitable for direct contact with insulation when specified with IC or CP installation type options.

WARRANTY

Lumenwerx provides a five-year limited warranty on electrical and mechanical performance of the luminaires, including the LED boards, drivers, and auxiliary electronics. Lumenwerx will repair or replace defective luminaires or components at our discretion, provided they have been installed and operated in accordance with our specifications. Other limitations apply, please refer to the full warranty on our website.