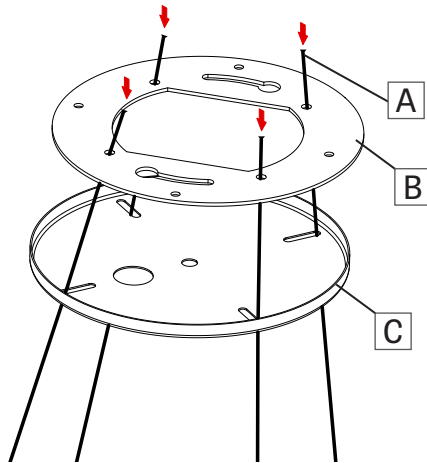


POP CORE ROUND

PENDANT CABLE - INSTALLATION INSTRUCTIONS

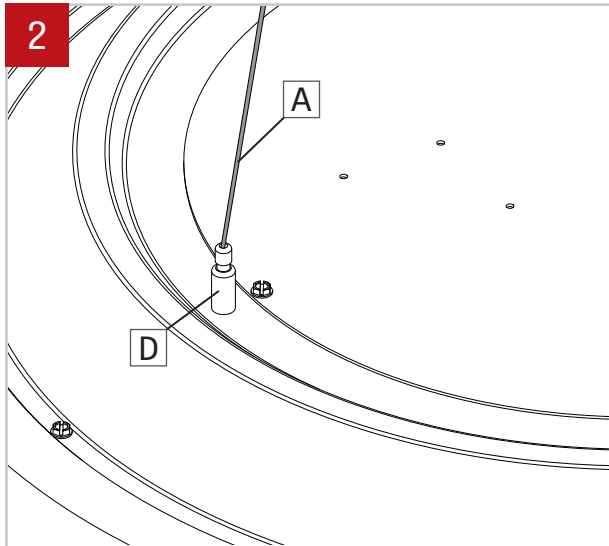
NOTE: Wire dimming conductors as Class 1

1



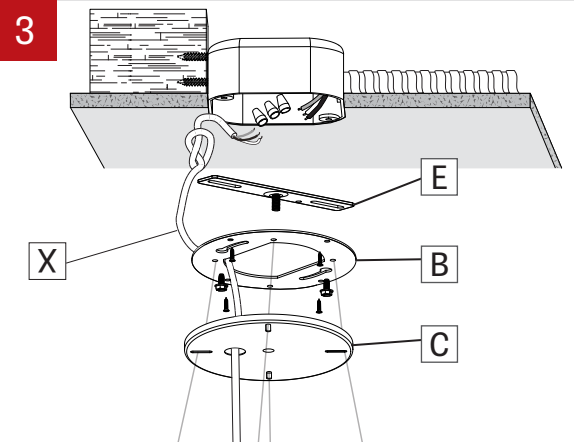
Pass the aircraft cables (A) through the cable holder plate (B) and the canopy (C).

2



Insert the aircraft cables (A) into the cable grippers (D).

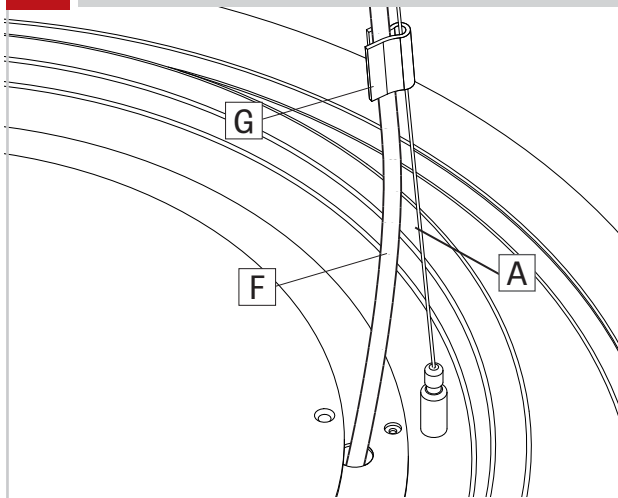
3



Locate ceiling mounting points according to supplied client drawing. Pass the power cord through the canopy, make a knot in the power cord (X) and then connect it to the ceiling power feed. Install the junction box cross bar (E), cable holder plate (B) and canopy (C).

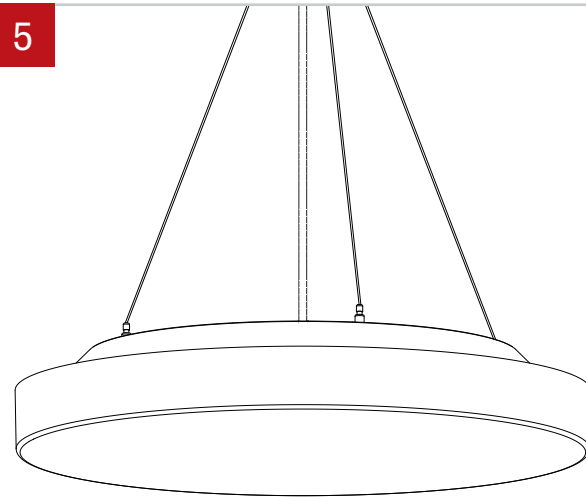
4

DIRECT/INDIRECT FIXTURE



Secure power cord (F) to aircraft cable (A) with plastic clip (G).

5



Power can be safely turned on.