

POP ECHOCORE

Round - Surface

LUMENWERX

! This product must be installed in accordance with the National Electrical Code and all applicable local codes, by a person familiar with the construction and operation of the product, and the hazards involved. Proper grounding is required for safety.

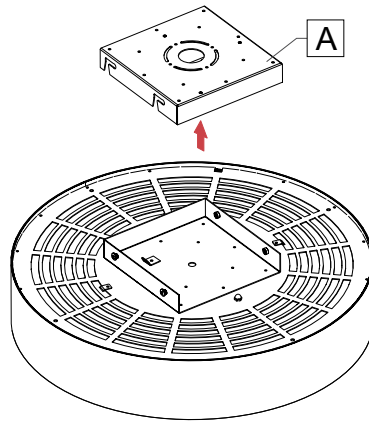
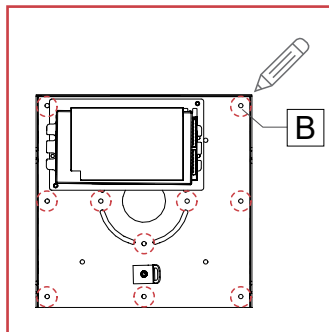
Ce produit doit être installé suivant le code national de l'électricité, ainsi que tous les codes locaux applicables, par une personne familière avec la construction et le fonctionnement du produit, ainsi que tous les risques qui y sont associés. La mise à terre électrique est obligatoire pour la sécurité.

! Wire dimming conductors as Class 1.

💡 Shown with Ø 24" fixture and applies to Ø 36", Ø 48" and Blank fixtures.

1 LOCATE MOUNTING POINTS.

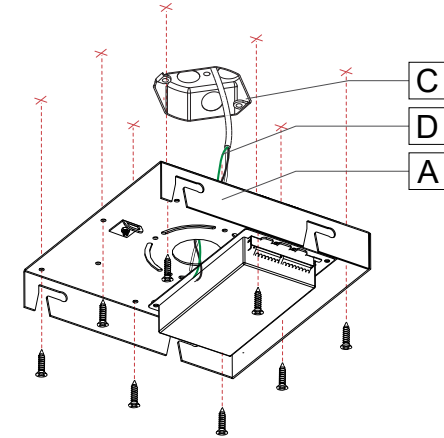
Remove mounting plate [A] and use it to mark the mounting points [B].



2 INSTALL MOUNTING PLATE TO THE CEILING.

Locate mounting plate [A] on the J-box [C] and screw the mounting plate [A] to the ceiling.

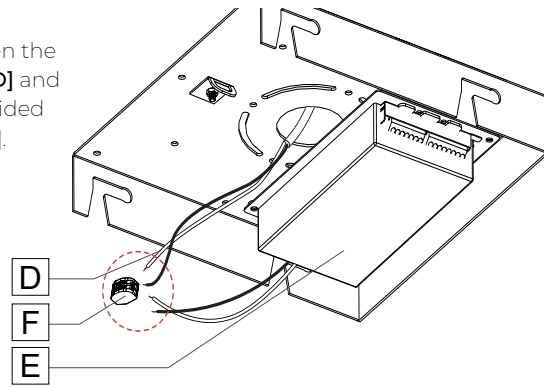
Pass the main power cable [D] through the mounting plate [A].



3 CONNECT THE DRIVER TO THE MAIN POWER.

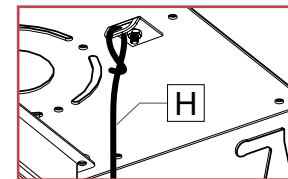
(For Blank fixture skip this step)

Make the electrical connections between the main power cable [D] and driver [E] using provided quick connectors [F].

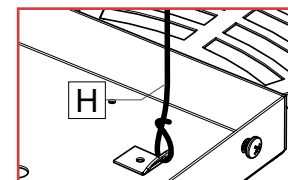


4 RAISE THE FIXTURE.

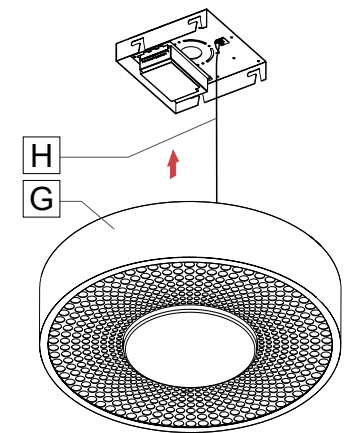
Raise the fixture [G] to the ceiling. Use safety cable [H] to secure the fixture [G].



ON MOUNTING PLATE



ON FIXTURE

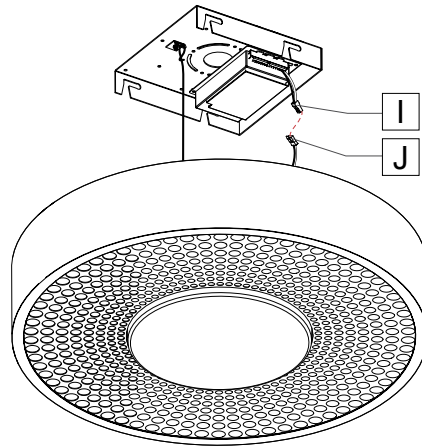
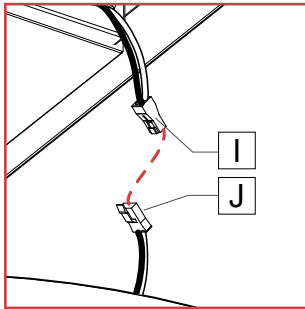


POP ECHOCORE

Round - Surface

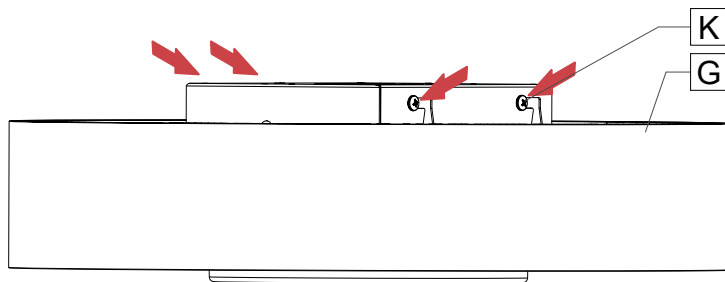
5 CONNECT THE FIXTURE TO THE DRIVER. (For Blank fixture skip this step)

Make the connection between the driver quick connector [I] and the fixture quick connector [J].



7 FASTEN MOUNTING SCREWS.

Fasten all four mounting screws [K] to secure the fixture [G] properly.



6 INSTALL THE FIXTURE.

Place the fixture [G] on the mounting plate [A] aligning the mounting screws [K] on the fixture body to the slots [L].

Slide the fixture [G] along the slots [L], so the mounting screws [K] will place in the right position.

