

POP ECHOCORE

Square - Pendant

LUMENWERX



This product must be installed in accordance with the National Electrical Code and all applicable local codes, by a person familiar with the construction and operation of the product, and the hazards involved. Proper grounding is required for safety.

Ce produit doit être installé suivant le code national de l'électricité, ainsi que tous les codes locaux applicables, par une personne familière avec la construction et le fonctionnement du produit, ainsi que tous les risques qui y sont associés. La mise à terre électrique est obligatoire pour la sécurité.



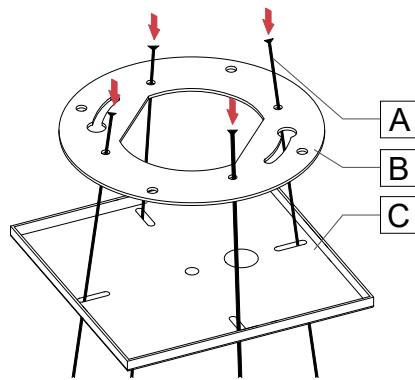
Wire dimming conductors as Class 1.



Shown with 2' x 2' fixture and applies to 3' x 3' and Blank fixtures.

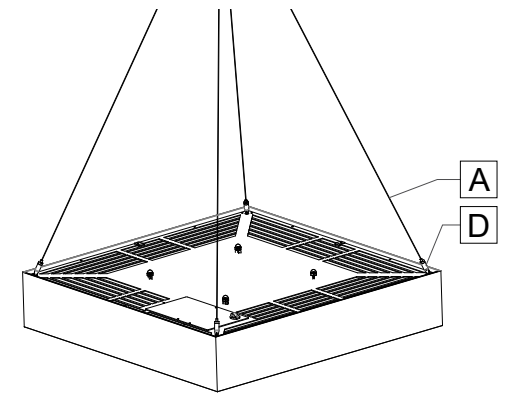
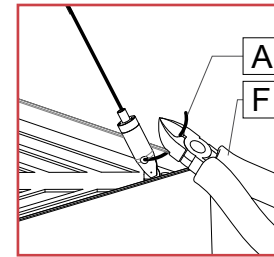
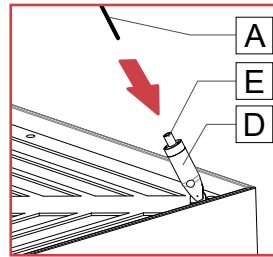
1 INSTALL AIRCRAFT CABLES ON THE CANOPY.

Pass the aircraft cables [A] through the cable holder [B] and the canopy [C].



2 INSTALL AIRCRAFT CABLES ON THE FIXTURE.

Insert each aircraft cable [A] into the griplock [D]. Adjust the cable [A] length by pushing the feeder tube [E] and cut the excess cable with an aircraft cable cutter [F].



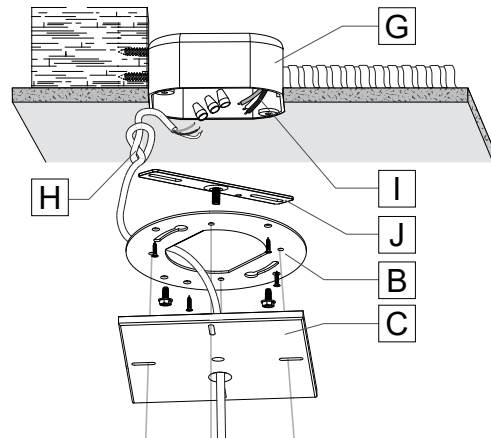
3 INSTALL THE CANOPY TO THE CEILING.

(For Blank fixture skip this step)

Locate the J-box [G] at the mounting point. Pass the power cord [H] through the canopy [C] and the cable holder plate [B].

Make a knot in the power cord [H] and then connect it to the ceiling power feed [I].

Install the J-box cross bar [J], cable holder plate [B] and canopy [C].



4 SECURE POWER CORD TO THE AIRCRAFT CABLE.

(For Blank fixture skip this step)

Secure the power cord [H] to the aircraft cable [A] with plastic clip [K].

Power can be safely turned on.

