

POP RECESSED

Regressed Square - Driver Replacement

LUMENWERX



This product must be installed in accordance with the National Electrical Code and all applicable local codes, by a person familiar with the construction and operation of the product, and the hazards involved. Proper grounding is required for safety.

Ce produit doit être installé suivant le code national de l'électricité, ainsi que tous les codes locaux applicables, par une personne familière avec la construction et le fonctionnement du produit, ainsi que tous les risques qui y sont associés. La mise à terre électrique est obligatoire pour la sécurité.



Wire dimming conductors as Class 1.



Follow the steps specific to your fixture size.

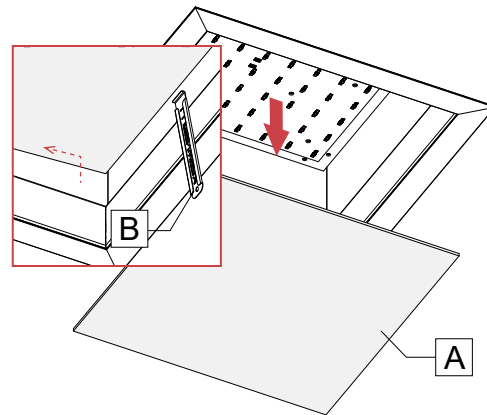
DRIVER BEHIND THE LED PLATE

6"X6", 6"X2', 6"X4', and 1'X1' (Shown with 1'X1')

1 REMOVE LENS.

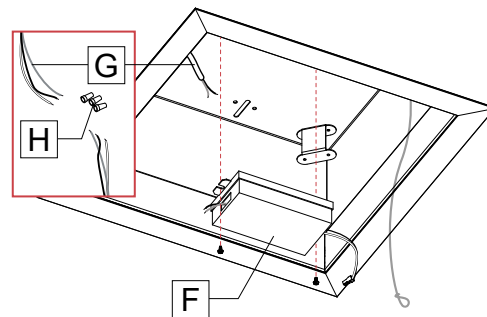
Caution: Make sure the electrical power is turned off.

Lift and shift the lens [A]. Remove the lens by using the provided lens removal tool [B].



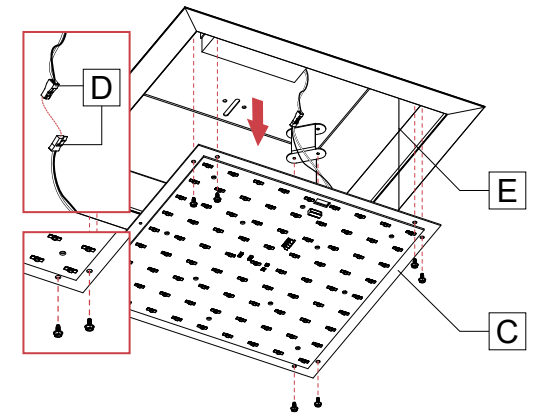
3 REPLACE DRIVER.

Disconnect wires between the driver [F] and the electrical feed [G]. Unscrew the driver [F] from the housing. Replace the driver and reconnect the wires with wire nuts [H].



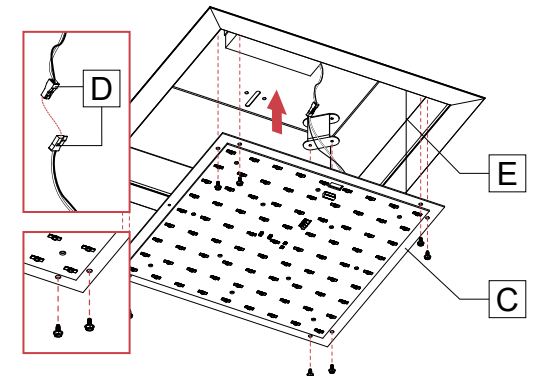
2 REMOVE LED PLATE.

Unscrew the LED plate [C]. Disconnect quick connectors [D] between the driver and the LED board. Unlock the board safety cable [E].



4 REINSTALL LED PLATE.

Secure the LED plate [C] by attaching the board safety cable [E]. Make wire connection between the driver and the LED board by connecting quick connectors [D]. Fix the LED plate [C] with screws.



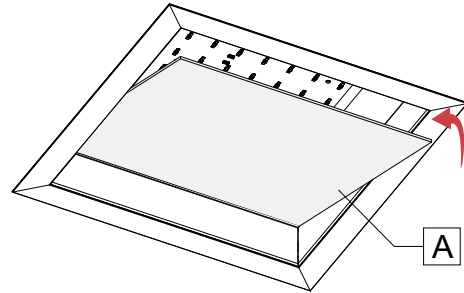
POP RECESSED

Regressed Square - Driver Replacement

LUMENWERX

5 REINSTALL LENS.

Insert and shift lens [A] back into fixture.



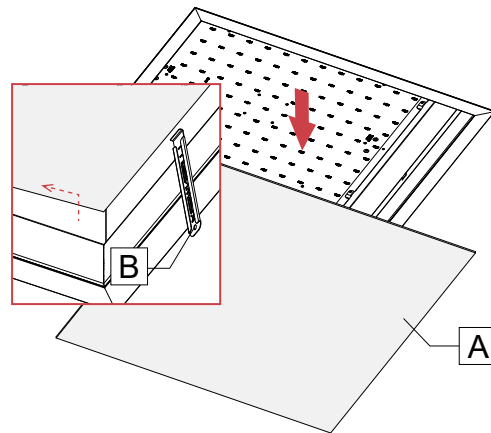
DRIVER TO THE SIDE OF THE LED PLATE

1'X2', 1'X4', 2'X2', 2'X4', 4'X4', and 20"X60" (Shown with 2'X2')

1 REMOVE LENS.

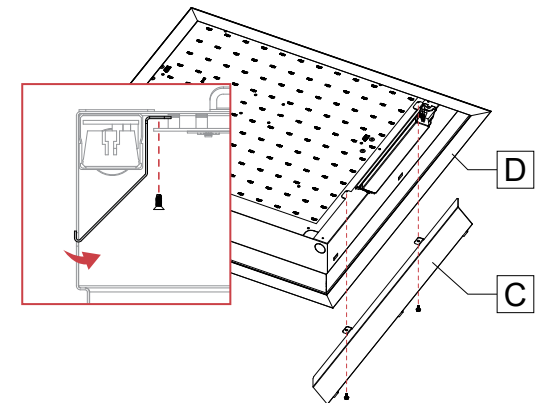
Caution: Make sure the electrical power is turned off.

Lift and shift the lens [A]. Remove the lens by inserting the provided lens removal tool [B] on the side of the driver.



2 REMOVE DRIVER COVER.

Unscrew and unhook the driver cover [C] to remove it from the fixture [D].



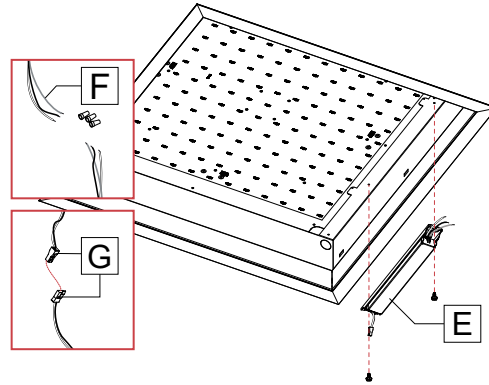
POP RECESSED

Regressed Square - Driver Replacement

LUMENWERX

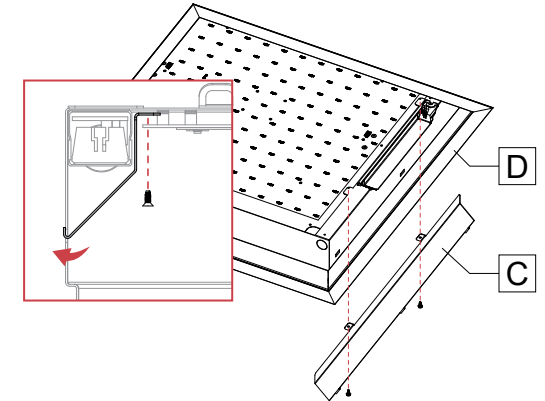
3 REPLACE DRIVER.

Disconnect wires between the driver [E] and the electrical feed [F]. Disconnect quick connectors [G] between the driver and the LED board. Unscrew the driver [E] from the fixture. Replace the driver and reconnect the wires.



4 REINSTALL DRIVER COVER.

Hook and screw the driver cover [C] to the fixture [D].



5 REINSTALL LENS.

Insert and shift lens [A] back into fixture.

Note: Insert the lens into opposite side of driver first.

