


POP RECESSED


Regressed Square - Grid Ceiling

LUMENWERX

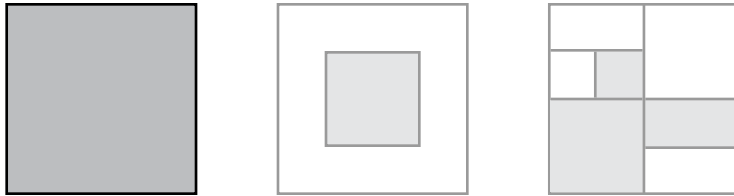
 This product must be installed in accordance with the National Electrical Code and all applicable local codes, by a person familiar with the construction and operation of the product, and the hazards involved. Proper grounding is required for safety.

Ce produit doit être installé suivant le code national de l'électricité, ainsi que tous les codes locaux applicables, par une personne familière avec la construction et le fonctionnement du produit, ainsi que tous les risques qui y sont associés. La mise à terre électrique est obligatoire pour la sécurité.

 Wire dimming conductors as Class 1.

 Follow the steps specific to the type of installation.

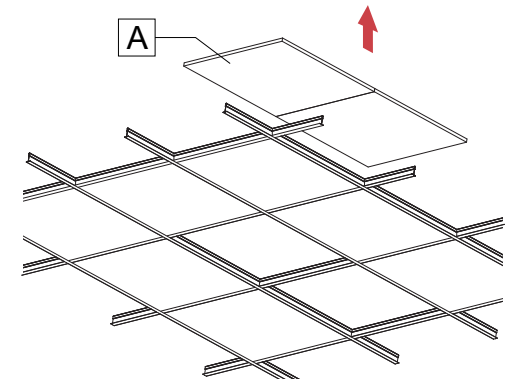
ON-GRID (Shown with 2'X2')



1 PREPARE CEILING OPENING.

Caution: Make sure the electrical power is turned off.

Remove ceiling tiles **[A]** where the fixture will be installed and adjacent tiles for easy access during installation.

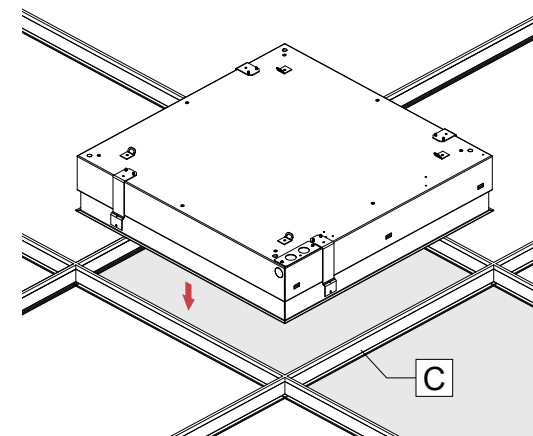
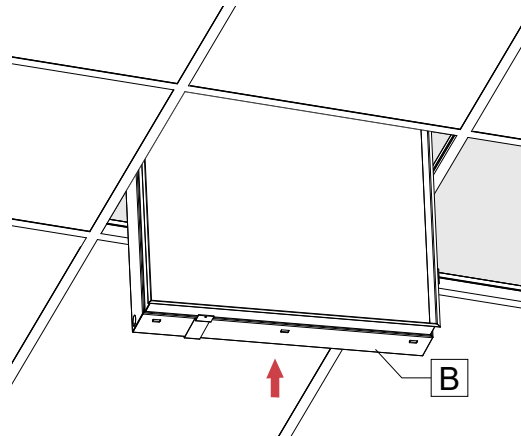


2 PLACE FIXTURE ON T-BAR GRID.

Insert the fixture **[B]** above the ceiling grid.

Note: Insert carefully as to not scratch paint. For 1'X4', 2'X4', 4'X4' and 20"X60", use handling bar to manipulate fixture.

Lower the fixture onto the T-bar grid **[C]**.



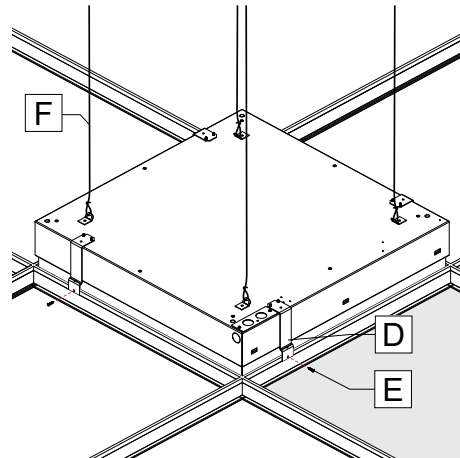
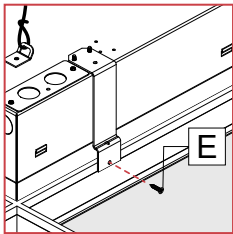
POP RECESSED

Regressed Square - Grid Ceiling

LUMENWERX

3 SECURE FIXTURE.

Secure the T-bar brackets [D] to the T-bars with screws [E] (by others). For additional safety, a security wire [F] can be attached from safety cable brackets.



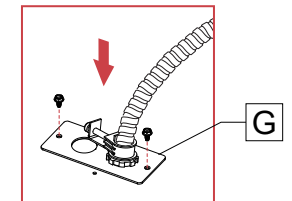
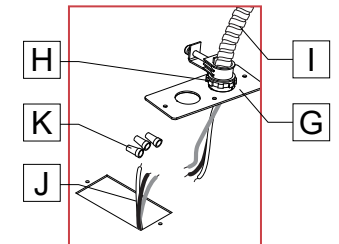
4 MAKE ELECTRICAL CONNECTIONS.

Remove the power plate [G] from the fixture and install BX connector [H] (by others) and BX cable [I] (by others) through the power plate. Tighten BX connector [H] screw.

Warning: Power must come from single branch circuit.

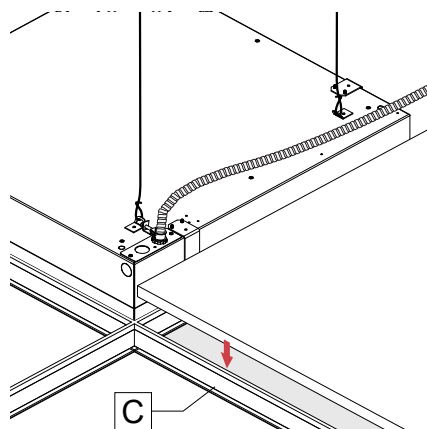
Connect wires from the BX cable [I] to the fixture driver wires [J] using wire nuts [K] (by others). Ensure connections comply with local and national electrical codes.

Push connected wires inside the fixture. Reinstall the power plate [G] onto the fixture and tighten the two screws.



5 REINSTALL ADJACENT TILES.

Reinstall the adjacent tiles on the T-bar grid [C].



6 REMOVE HANDLING BAR AND REINSTALL LENS.

For 1'X4', 2'X4', 4'X4' and 20"X60" only

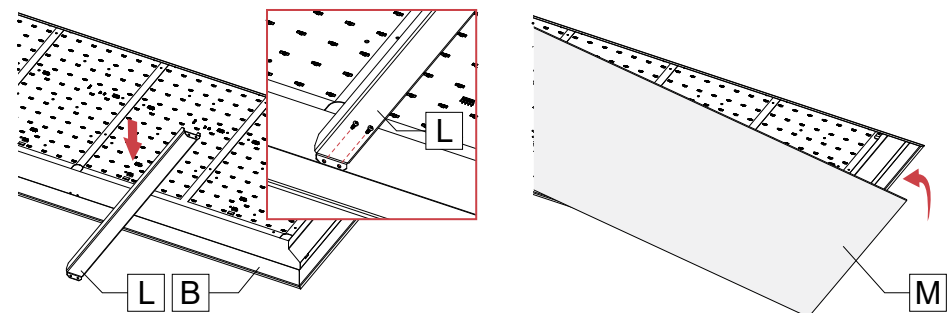
Unscrew and remove the handling bar [L] from the housing [B].

Note: Remove carefully as to not scratch paint.

Insert and shift lens [M] back into fixture.

Note: Insert the lens into opposite side of driver first.

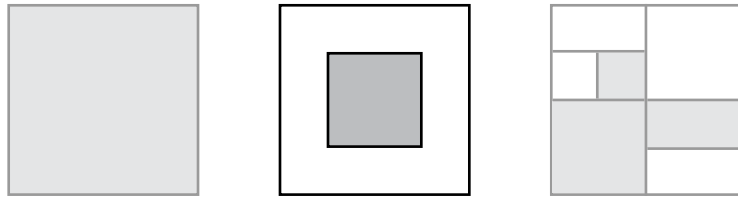
1'X4', 2'X4', 4'X4' and 20"X60"



POP RECESSED

Regressed Square - Grid Ceiling

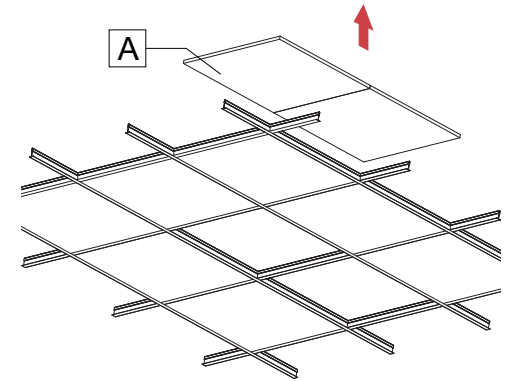
OFF-GRID - Centered in tile (Shown with 1'X1')



1 PREPARE CEILING OPENING.

Caution: Make sure the electrical power is turned off.

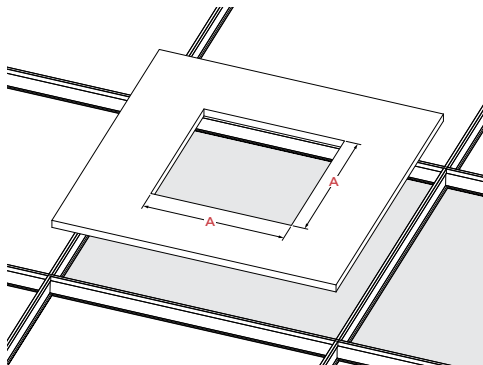
Remove ceiling tiles [A] where the fixture will be installed and adjacent tiles for easy access during installation.



2 CUT CEILING TILE.

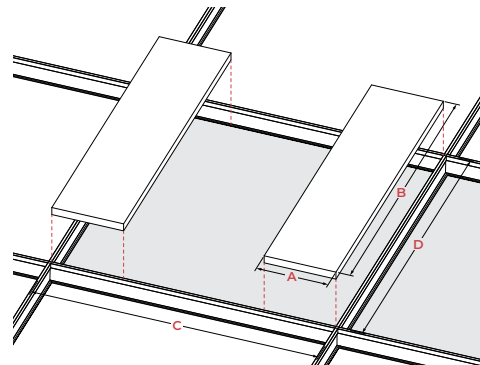
Cut the ceiling tile according to the dimensions.

6"X6" and 1'X1'



Size	Cut-out
	A
6"X6"	5-3/4"
1'X1'	11-3/4"

6"X2', 6"X4', 1'X2' and 1'X4'



Size	Tile cut		Grid pattern	
	A	B	C	D
6"X2'	9"	23-3/4"	2'	2'
6"X4'	9"	47-3/4"	2'	4'
1'X2'	6"	23-3/4"	2'	2'
1'X4'	6"	47-3/4"	2'	4'

POP RECESSED

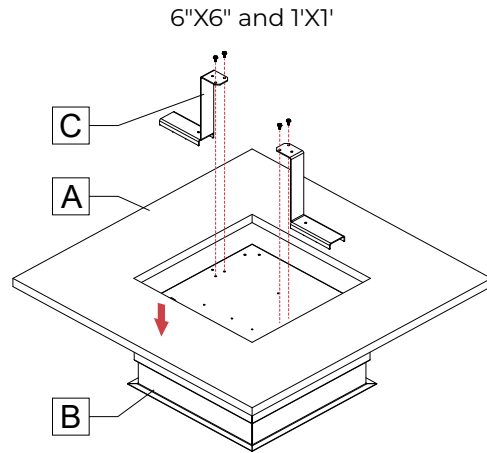
Regressed Square - Grid Ceiling

LUMENWERX

3 FIX BRACKETS TO HOUSING.

6"X6" and 1'X1'

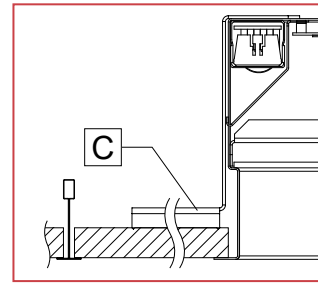
Place the cut ceiling tile [A] on the housing [B] and then fasten the brackets [C] to the housing [B].



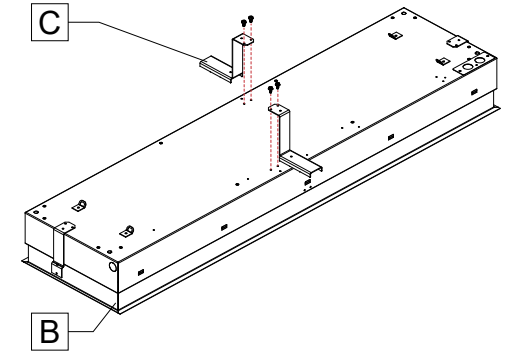
6"X6" and 1'X1'

6"X2', 6"X4', 1'X2' and 1'X4'

Fasten the brackets [C] to the housing [B]. The cut ceiling tile will be placed in Step 4.



6"X2', 6"X4', 1'X2' and 1'X4'



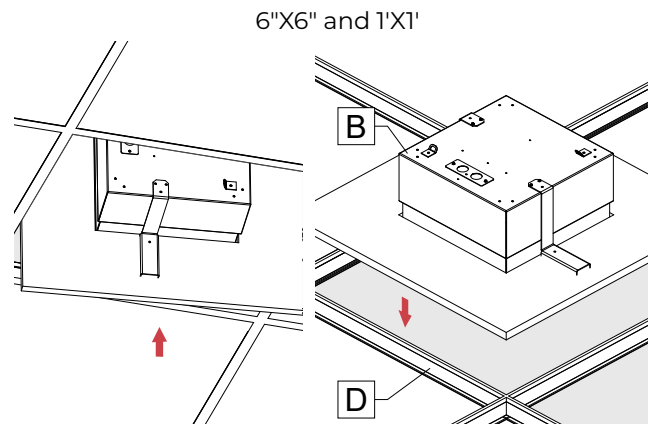
4 PLACE FIXTURE ON T-BAR GRID.

6"X6" and 1'X1'

Insert the fixture [B] above the ceiling grid.

Note: Insert carefully as to not scratch paint.

Lower the fixture onto the T-bar grid [D].



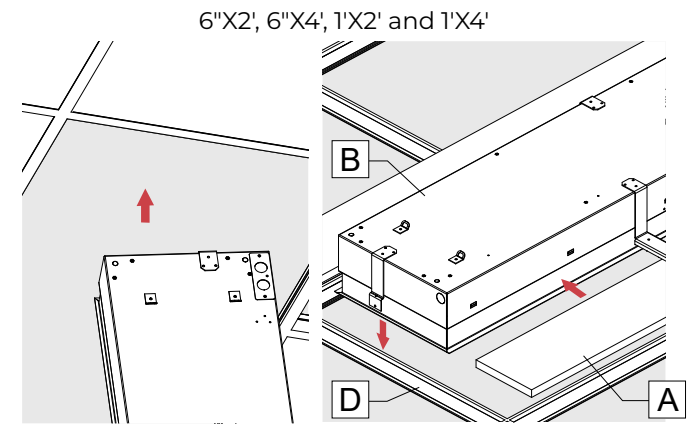
6"X6" and 1'X1'

6"X2', 6"X4', 1'X2' and 1'X4'

Insert the fixture [B] and the cut ceiling tiles [A] above the ceiling grid.

Note: Insert carefully as to not scratch paint.

Position the cut ceiling tiles [A] on the flange of the fixture, and lower them on the T-bar grid [D].



6"X2', 6"X4', 1'X2' and 1'X4'

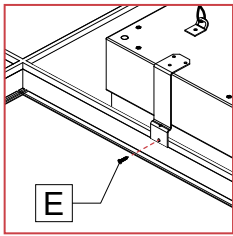
POP RECESSED

Regressed Square - Grid Ceiling

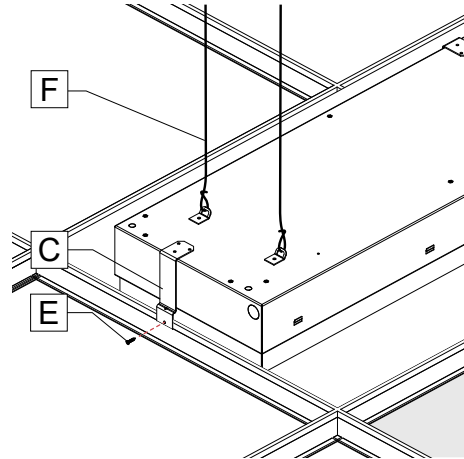
5 SECURE FIXTURE.

6"X2', 6"X4', 1'X2' and 1'X4' only

Secure the T-bar brackets [C] to the T-bars with screws [E] (by others). For additional safety, a security wire [F] can be attached from safety cable brackets.

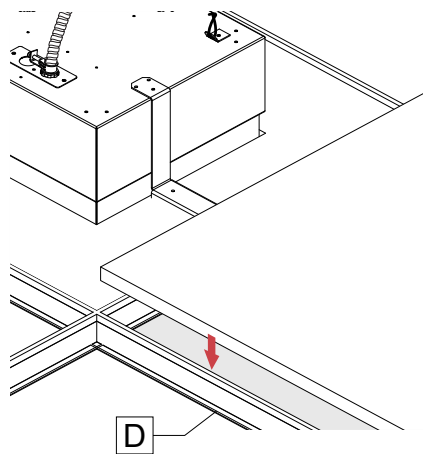


6"X2', 6"X4', 1'X2' and 1'X4' only



7 REINSTALL ADJACENT TILES.

Reinstall the adjacent tiles on the T-bar grid [D].



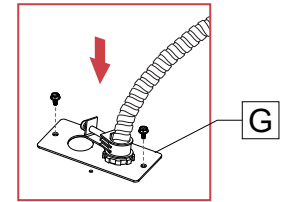
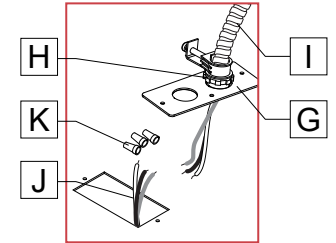
6 MAKE ELECTRICAL CONNECTIONS.

Remove the power plate [G] from the fixture and install BX connector [H] (by others) and BX cable [I] (by others) through the power plate. Tighten BX connector [H] screw.

Warning: Power must come from single branch circuit.

Connect wires from the BX cable [I] to the fixture driver wires [J] using wire nuts [K] (by others). Ensure connections comply with local and national electrical codes.

Push connected wires inside the fixture. Reinstall the power plate [G] onto the fixture and tighten the two screws.



8 REMOVE HANDLING BAR AND INSTALL LENS.

For 6"X4' and 1'X4' only

Unscrew and remove the handling bar [L] from the housing [B]. For

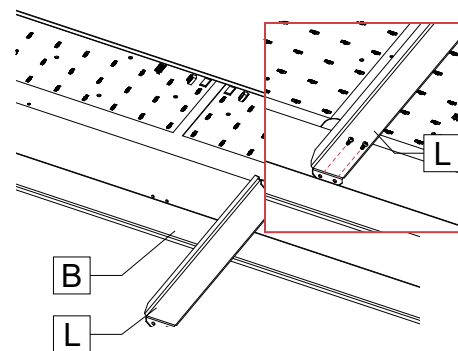
Note: Remove carefully as to not scratch paint.

For 1'X4' only

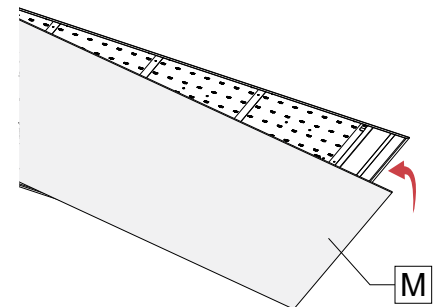
Insert and shift lens [M] into fixture.

Note: Insert the lens into opposite side of driver first.

6"X4' and 1'X4' only



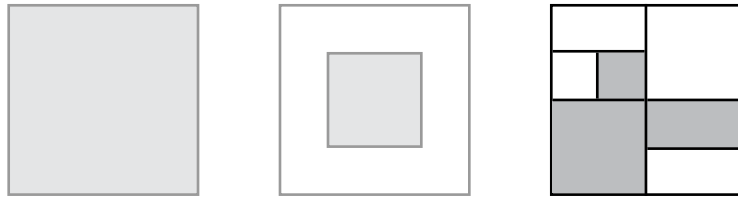
1'X4' only



POP RECESSED

Regressed Square - Grid Ceiling

SIDE-BY-SIDE (Shown with 2'X2' and 1'X2')



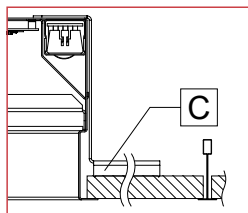
2 FIX BRACKETS TO HOUSING.

INSTALLED ON-GRID

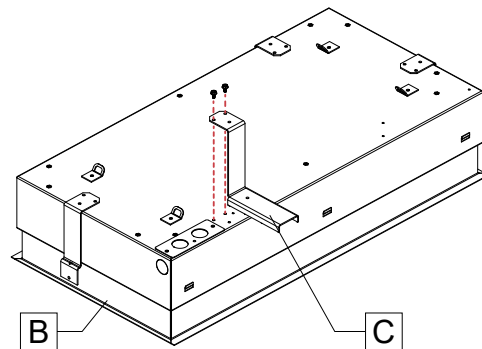
If the fixture is installed completely on the grid, skip to step 3.

INSTALLED OFF-GRID

If the fixture is partially installed on the grid, with elongated brackets, fasten the elongated brackets [C] to the housing [B].



INSTALLED OFF-GRID



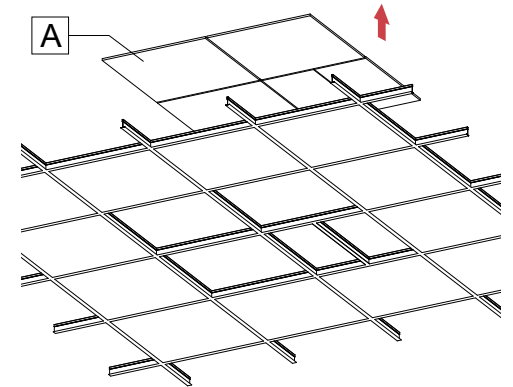
1 PREPARE CEILING OPENING.

Caution: Make sure the electrical power is turned off.

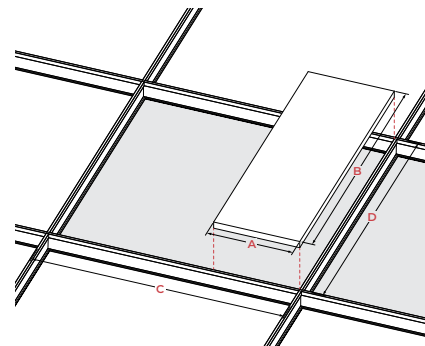
Remove ceiling tiles [A] where the fixtures will be installed and adjacent tiles for easy access during installation.

As required by your side-by-side configuration, add cross T-bars, and/or cut ceiling tiles [A] according to the dimensions.

For 6"X2', 6"X4', 1'X2' and 1'X4' installed off-grid, cut ceiling tiles according to the dimensions below.



6"X2', 6"X4', 1'X2' and 1'X4'



Size	Tile cut		Grid pattern	
	A	B	C	D
6"X2'	17-3/4"	23-3/4"	2'	2'
6"X4'	17-3/4"	47-3/4"	2'	4'
1'X2'	11-3/4"	23-3/4"	2'	2'
1'X4'	11-3/4"	47-3/4"	2'	4'

POP RECESSED

Regressed Square - Grid Ceiling

LUMENWERX

3 INSTALL FIXTURES ON GRID.

INSTALLED ON-GRID

If the fixture is installed completely on the grid, follow steps 2 and 3 of the "On-Grid" instructions.

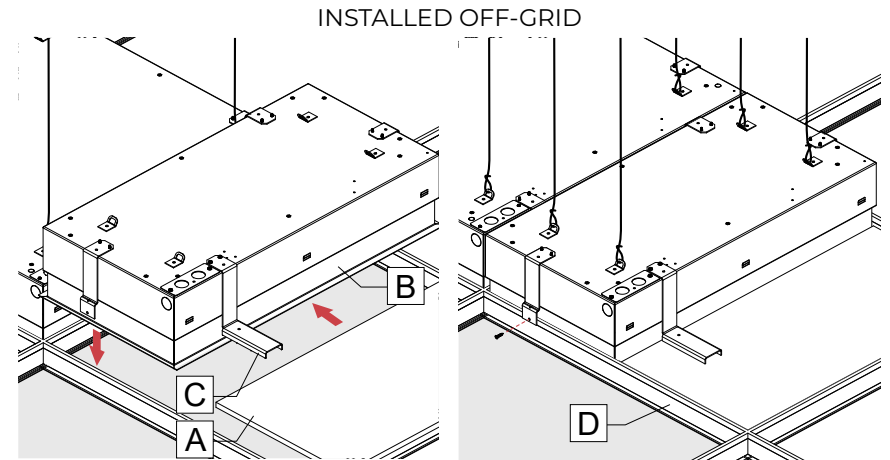
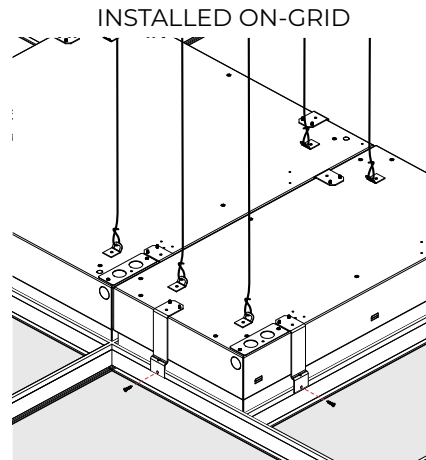
INSTALLED OFF-GRID

Insert the fixture [B] and the cut ceiling tile [A] above the ceiling grid.

Note: Insert carefully as to not scratch paint.

Position the cut ceiling tile [A] on the flange of the fixture, and lower both on the T-bar grid [D].

To fix the T-bar bracket, follow step 5 of the "Off-Grid" instructions.



4 MAKE ELECTRICAL CONNECTIONS.

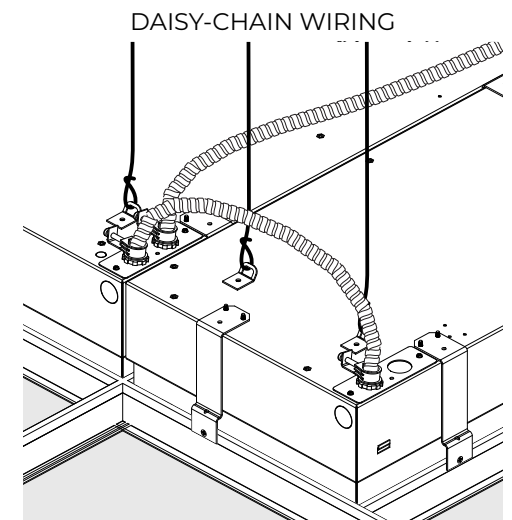
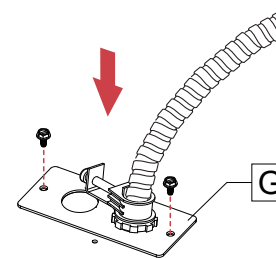
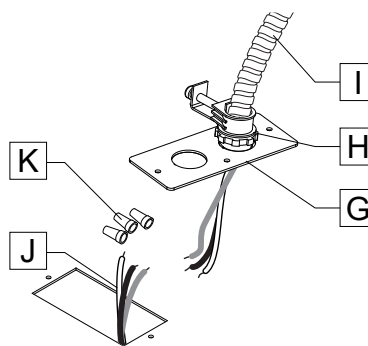
Remove the power plate [G] from the fixture and install BX connector [H] (by others) and BX cable [I] (by others) through the power plate. Tighten BX connector [H] screw.

Warning: Power must come from single branch circuit.

Connect wires from the BX cable [I] to the fixture driver wires [J] using wire nuts [K] (by others). Ensure connections comply with local and national electrical codes.

Note: For daisy-chain wiring, make electrical connections to the first fixture. Use additional knockout holes to connect fixtures together with BX cable and connector (by others).

Push connected wires inside the fixture. Reinstall the power plate [G] onto the fixture and tighten the two screws.



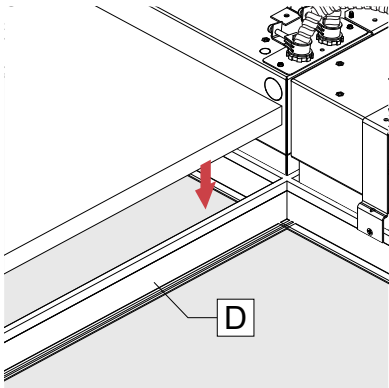
POP RECESSED

Regressed Square - Grid Ceiling

LUMENWERX

5 REINSTALL ADJACENT TILES.

Reinstall the adjacent tiles on the T-bar grid [D].



6 FINISH INSTALLATION OF FIXTURES.

1'X4', 2'X4', 4'X4' and 20"X60" only

Follow step 6 of the "On-Grid" instructions to remove handling bar and reinstall the lens.

Note: Insert the lens into opposite side of driver first.

6"X4' only

Remove the handling bar from the housing.

