

POP RECESSED

Regressed Square - LED Board Replacement

LUMENWERX



This product must be installed in accordance with the National Electrical Code and all applicable local codes, by a person familiar with the construction and operation of the product, and the hazards involved. Proper grounding is required for safety.

Ce produit doit être installé suivant le code national de l'électricité, ainsi que tous les codes locaux applicables, par une personne familière avec la construction et le fonctionnement du produit, ainsi que tous les risques qui y sont associés. La mise à terre électrique est obligatoire pour la sécurité.



Wire dimming conductors as Class 1.

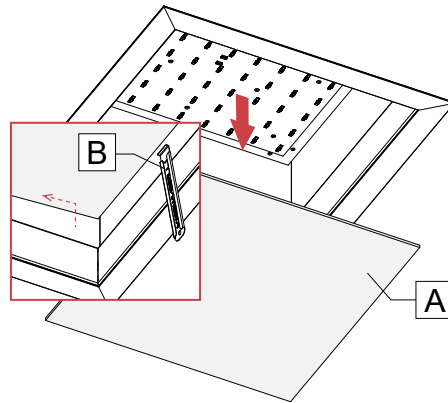


Shown with 2'X2' and applies to all sizes, unless otherwise indicated.

1 REMOVE LENS.

Caution: Make sure the electrical power is turned off.

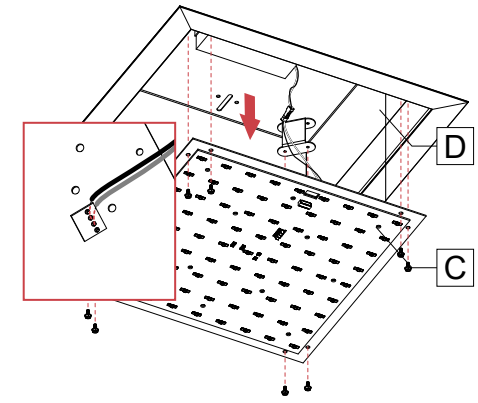
Lift and shift the lens [A]. Remove the lens by inserting the provided lens removal tool [B] on the side of the driver.



2 REMOVE LED PLATE.

Unscrew the LED board [C]. Gently pull out and disconnect the wires from the LED board.

Note: For 6"X6", 6"X2', 6"X4' and 1'X1', detach the board safety cable [D].



3 REPLACE LED BOARD.

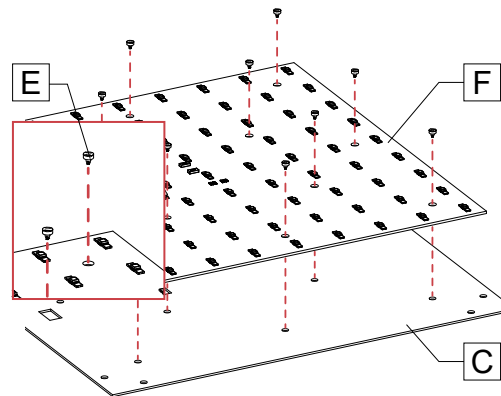
SINGLE LED BOARD

Remove push pins [E] on the LED board [F] to separate it from the LED plate [C]. Replace LED board [F] and reinstall it on the LED plate [C] with provided push pins [E].

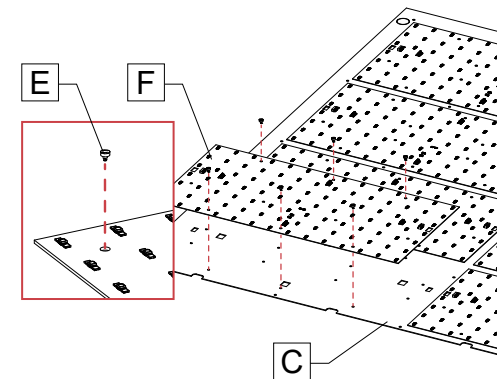
MULTIPLE LED BOARD

Remove push pins [E] on the LED board [F] that needs to be replaced to separate it from the LED plate [C]. Replace LED board [F] and reinstall it on the LED plate [C] with provided push pins [E].

SINGLE LED BOARD



MULTIPLE LED BOARD



POP RECESSED

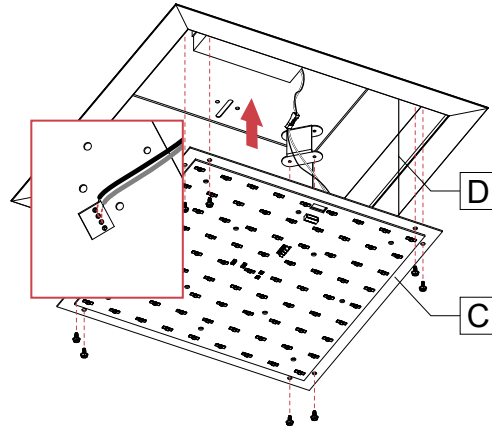
Regressed Square - LED Board Replacement

LUMENWERX

4 REINSTALL LED PLATE.

Reconnect wires to the LED board (from LED plate side). Screw the LED plate [C] back in place by using screws.

Note: For 6"X6", 6"X2', 6"X4' and 1'X1', secure the LED plate by attaching the board safety cable [D].



5 REINSTALL LENS.

Insert and shift lens [A] back into fixture.

Note: For 1'X2', 1'X4', 2'X2', 2'X4', 4'X4' and 20"X60", insert the lens into opposite side of driver first.

