

PRIMO 2x2 LED

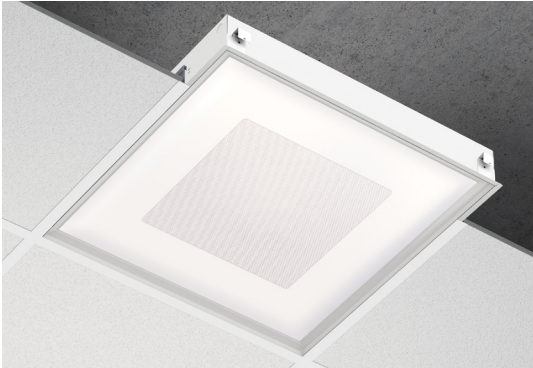
RECESSED



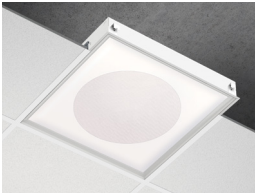
LUMENWERX
WWW.LUMENWERX.COM

CHROMAWERX TUNABLE WHITE AND DIM TO WARM

IMPORTANT: a qualified DMX integration consultant is required to ensure proper installation and function of any DMX network



Shown with CMO Square optics



Shown with CMO Round optics



Shown with PMO optics

DESCRIPTION

Primo is the fresh face of recessed LED lighting. The unique concentric micro optic creates a subtle, yet distinctive, graphical appearance appropriate for important spaces, large and small. The precise, square-base-prism design achieves both luminous consistency and overall visual comfort from all viewing angles. Using advanced LED engines and optics, Primo provides comfortable and efficient illumination where it's needed, while integrating cleanly into the architecture. Primo is an ideal vehicle for ChromaWerx white tuning in education, office, and healthcare applications where modular luminaires are used. See separate spec sheets for other available mountings.

PROJECT: _____

APPROVED BY: _____
SIGNATURE: _____

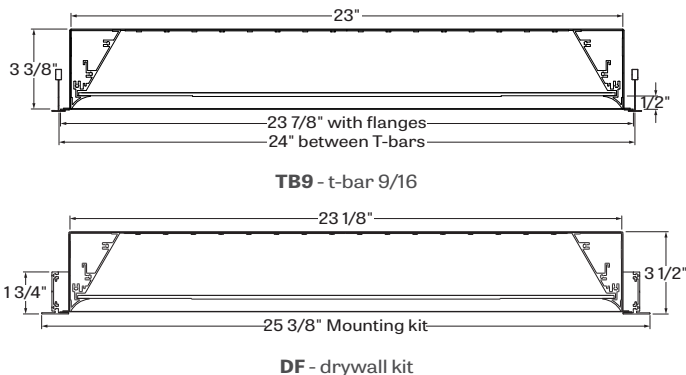
up to 104 lm/w performance

IC RATED

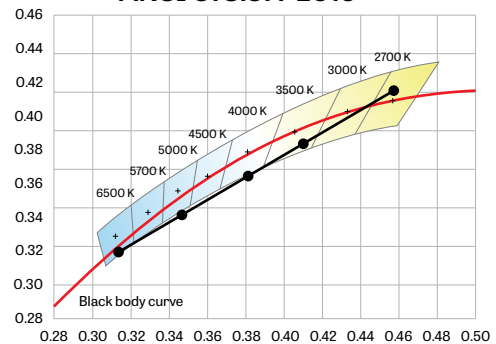
PRIR	22	LED				
LUMINAIRE ID	SIZE	OPTICS	LIGHT SOURCE	CRI	LUMEN PACKAGES	CHROMAWERX
PRIR - primo recessed	22 - 2'x2'	CMO(S) - Concentric Micro-Prism Optic - square CMO(R) - Concentric Micro-Prism Optic - round PMO - Precision Micro-Prism Optic	LED - high performance LED	80 - 80CRI 90 - 90CRI	2000 - min. low output 2000lm 3200 - medium output 3200lm 4200 - high output 4200lm 5000 - max. ultra high output 5000lm ##### - other required lm	DUO - tunable white 2 channel control 27k to 65k SOLA - dim to warm single channel control 22k to 35k
VOLTAGE	DRIVER	ELECTRICAL	MOUNTING	FINISH	OPTIONS	DMX WALL CONTROLS
120 - 120V 277 - 277V	DMX - to specify see pages 5 to 10 DA - Dali (duo only) local on-site commissioning is required O-10 - Single 0-10V input (Sola) or dual 0-10V input for CCT/Intensity (Duo) PSQO - Lutron T-Series 1% Tunable White	1 - 1 circuit	TG9 - tegular 9/16" TG15 - tegular 15/16" TB9 - t-bar 9/16" TB15 - t-bar 15/16" ST - screw slot t-bar DF - drywall kit	W - matte white	FU - fuse FWC - flexible whip cable (6' std) CP - Chicago Plenum CU - custom	To specify see pages 5 to 10

See page 2 for ordering code detailed information

CROSS SECTION



ANSI C78.377-2015



CHROMAWERX TUNABLE WHITE AND DIM TO WARM

OPTICS

PRECISION MICRO-PRISM-OPTIC (PMO) / CONCENTRIC MICRO -OPTIC (CMO) - utilizes a specially designed catadioptric lens that combines refraction and internal reflection. The square-base prism is 24% the size of those used in a high-performance fluorescent lens.

The acrylic material itself is untinted, relying entirely on catadioptric control for effective source obscuration. A highly efficient TIR process at the acrylic-air interface on the prism surfaces redirects incident light with less than a 0.1% loss per reflection. As a result, these LumenWerx optics attain a high optical efficiency greater than 90%, while maintaining visual comfort at normal viewing angles and presenting a pleasing luminous appearance.

PRECISION MICRO-PRISM-OPTIC (PMO) - The exclusive two-dimensional array of prisms is designed to eliminate the glare found at higher viewing angles and as such, enables a glare cut-off at a 45° viewing angle.

CONCENTRIC MICRO-PRISM-OPTIC (CMO) - With the smaller prisms of the outer optic giving way to the larger prisms found in the inner optic, the exclusive pyramidal forms provide an outstanding level of control over high angle brightness as well as a gentle brightness gradient from different viewing angles.

LIGHT SOURCE - LED

LED output	Color Temp	Watts	Nominal Delivered Lumens	Efficacy LPW
low output	4000K	19	2000	104
medium output	4000K	32	3200	100
high output	4000K	43	4200	97
ultra high output	4000K	53	5000	95

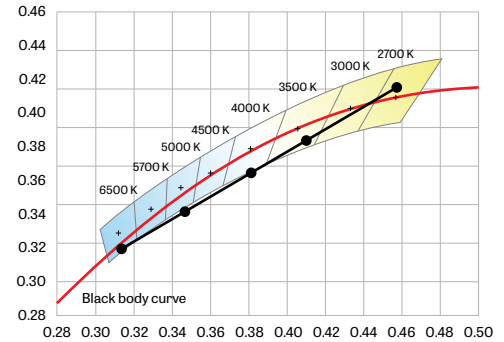
Lumen Adjustment Factors	
2700K	0.917
3000K	0.959
3500K	0.988
4000K	1.000
6500K	1.053

Custom array of alternating color temperature mid-flux LED's are mounted directly to the housing for optimal thermal performance. For the Duo products, a color temperature range from 2700K-6500K is achievable with color points on or below the black body curve. For the Sola products, a color temperature range from 2200K-3500K is controlled synchronously with intensity. Color consistency between fixtures is maintained to within 3SDCM. LEDs are operated at reduced drive current to optimize efficacy and lumen maintenance.

All LED's have been tested in accordance with IESNA LM-80-08 and the results have shown L80 lumen maintenance greater than 60,000 hours. Absolute product photometry is measured and presented in accordance with IESNA LM-79, unless otherwise indicated.

CHROMAWERX - TUNABLE WHITE

ANSI C78.377-2015



ChromaWerx Sola is single-channel control that dims output while warming the color temperature in a pre-determined relationship. A simple digital or analog control sends a common signal to dual output digital drivers, which are programmed to adjust a specially populated LED array to emulate the effect of dimming a filament source. Dimming range is programmable but the default option runs from 3500K at 100% of full power to 2200K at 5% of full power. CRI is maintained above 80 throughout the dimming range.

ChromaWerx Duo is two-channel control. It uses an analog (0-10V) protocol for separate control of luminaire CCT and intensity or a digital (DMX, DALI) protocol for synchronous control of both warm and cool LED arrays to enable the user to set color temperature and light output. Commonly called "tunable white", ChromaWerx two-channel control provides the range of warm (2700K) to cool (6500K) color that can be useful for helping to entrain circadian rhythms, stimulate alertness for improved educational and work productivity, and compensate for jet lag, among other applications. The ChromaWerx drivers are programmed to limit maximum light output and power usage across all color temperatures. CRI is maintained above 80.

PRIMO 2x2 LED

RECESSED

LUMENWERX
WWW.LUMENWERX.COM

CHROMAWERX TUNABLE WHITE AND DIM TO WARM

ELECTRICAL

DMX (Duo only)

Factory-set, adjustable output current, multi-channel LED driver with universal (120-277VAC) input. Using DMX wall controls (optionally supplied by LumenWerx) or an existing DMX control system, two channels of LEDs (warm-white & cool-white) are independently adjustable. Each DMX driver has multiple output channels that can be independently addressed at the factory or on-site using built-in RDM (Remote Device Management) functionality. Dimming range from 100%-0%. At maximum driver load, efficiency<89%, PF>0.9, THD<20%.

Dali (Duo Only)

Factory-set, adjustable output current LED driver with universal (120-277VAC) input. Using an existing DALI control system (supplied by others), one control channel adjusts the fixture color temperature, and the other control channel adjusts fixture brightness. Dimming range from 100%-0%. At maximum driver load, efficiency<86%, PF>0.9, THD<20%.

0-10V (Sola)

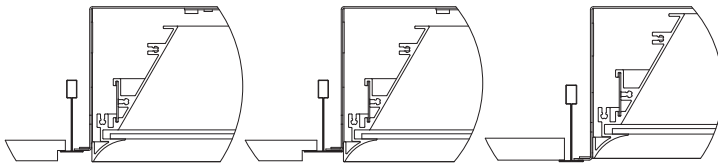
Factory-set, adjustable output current LED driver with universal (120-277VAC) input. Using a single 0-10V control signal, the light output warms in color temperature as it dims down to 1% and 2200K. At maximum driver load, efficiency<86%, PF>0.9, THD<20%.

0-10V (Duo)

Factory-set adjustable output current LED driver with universal (120-277VAC) input. Controlled via two individual 0-10V signals, one for setting light output down to a minimum of 1% and the other for adjusting the CCT (default range of 2700K-6500K). Rated life of 50,000 hours at 70°C maximum driver case temperature and 100% load conditions. Typical efficiency of 86%, PF>0.9, THD<20% at 100% load conditions.

MOUNTING OPTIONS

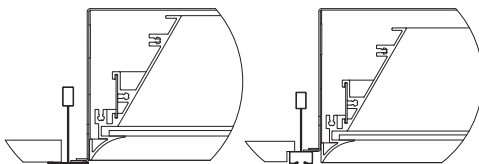
Recess mount into exposed or concealed T-Bar or Tegular grid ceiling



TG9 - tegular 9/16"

TG15 - tegular 15/16"

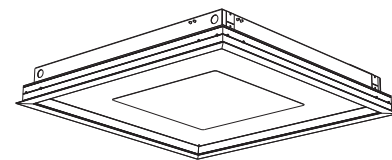
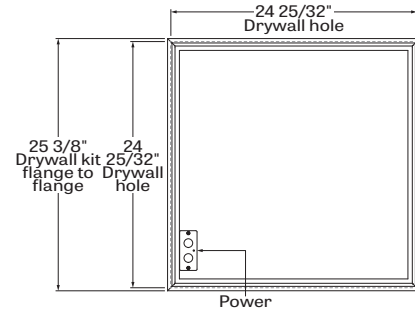
TB9 - t-bar 9/16"



TB15 - t-bar 15/16"

ST - screw slot t-bar

A separate kit for mounting fixtures into drywall ceilings



DF - drywall kit

FINISH

Interior - 95% reflective, matte white powder coating

Exterior - matte white powder coating.

CONSTRUCTION

Housing - Die formed cold rolled sheet steel 20 gauge thick, matte white powder coating.

Reflectors - Extruded Aluminum 0.07" nominal, integrated into a door system, 95% reflective matte white painted.

Door system - integrated frame with no visible attachment, made of extruded Aluminum and lens made in clear PMMA precisely molded into optical prismatic forms offered in different patterns.

Drywall kit - Extruded Aluminum 0.07" nominal, matte white powder coating.

WEIGHT

Primo 2x2 grid: 17.84lbs. - 8.1kg

Primo 2x2 drywall: 19.94lbs. - 9.24kg

CERTIFICATIONS

ETL - Rated for Indoor Dry/Damp locations.

Conforms to UL Standard 1598 and certified to CAN/CSA Standard C22.2 No. 250.0.

Chicago plenum - City of Chicago Approved (CCEA)

IC rated - suitable for direct contact with insulation.

PRIMO 2x2 LED

RECESSED



CHROMAWERX TUNABLE WHITE AND DIM TO WARM

WARRANTY

For all ChromaWerx products, LumenWerx provides a three-year limited warranty of electrical and mechanical performance of the luminaires, including the LED boards, drivers, and auxiliary electronics. LumenWerx will repair or replace defective luminaires or components at our discretion, provided they have been installed and operated in accordance with our specifications. Other limitations apply, please refer to the full warranty on our website.

Wall controllers are covered by the manufacturer warranty.

PRIMO 2x2 LED

RECESSED

CHROMAWERX TUNABLE WHITE

DUO DMX SPECIFICATION

A qualified DMX integrator is required to assure proper installation and commissioning of the DMX network. **When placing the PO, please provide the contact information of your DMX integrator.**

Please answer the following questions to help us identify your DMX network requirements.

YES

Do you require a wall controller provided by Lumenwerx?

NO

DMX control system supplied by others. Lumenwerx will supply DMX-enabled fixtures with default DMX addressing. See following pages for technical DMX informations. ✓

DMX controller supplied by Lumenwerx

How many zones do you have?
A zone consists of one or more luminaires behaving identically.

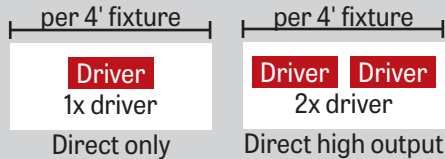


1 Zone



2 Zones

How to calculate the required number of drivers:



To Calculate # of drivers

1 - 4 Zones

5 or more Zones

Do you have more than 32 drivers in total?

NO

YES

Order a standard Lumenwerx wall controller.

WALL CONTROLLER

WCW - wall controller white
WCB - wall controller black

Add the control code at the end of your order code.

Please provide a fixture layout or RCP (Reflected Ceiling Plan) showing the locations of the DMX fixtures, zones and the DMX wall controller.

Refer to your DMX integrator for the installation. ✓

Subject to factory evaluation. Please contact our controls specialist at controls@lumenwerx.com. Additional cost and equipment will be required. ✓

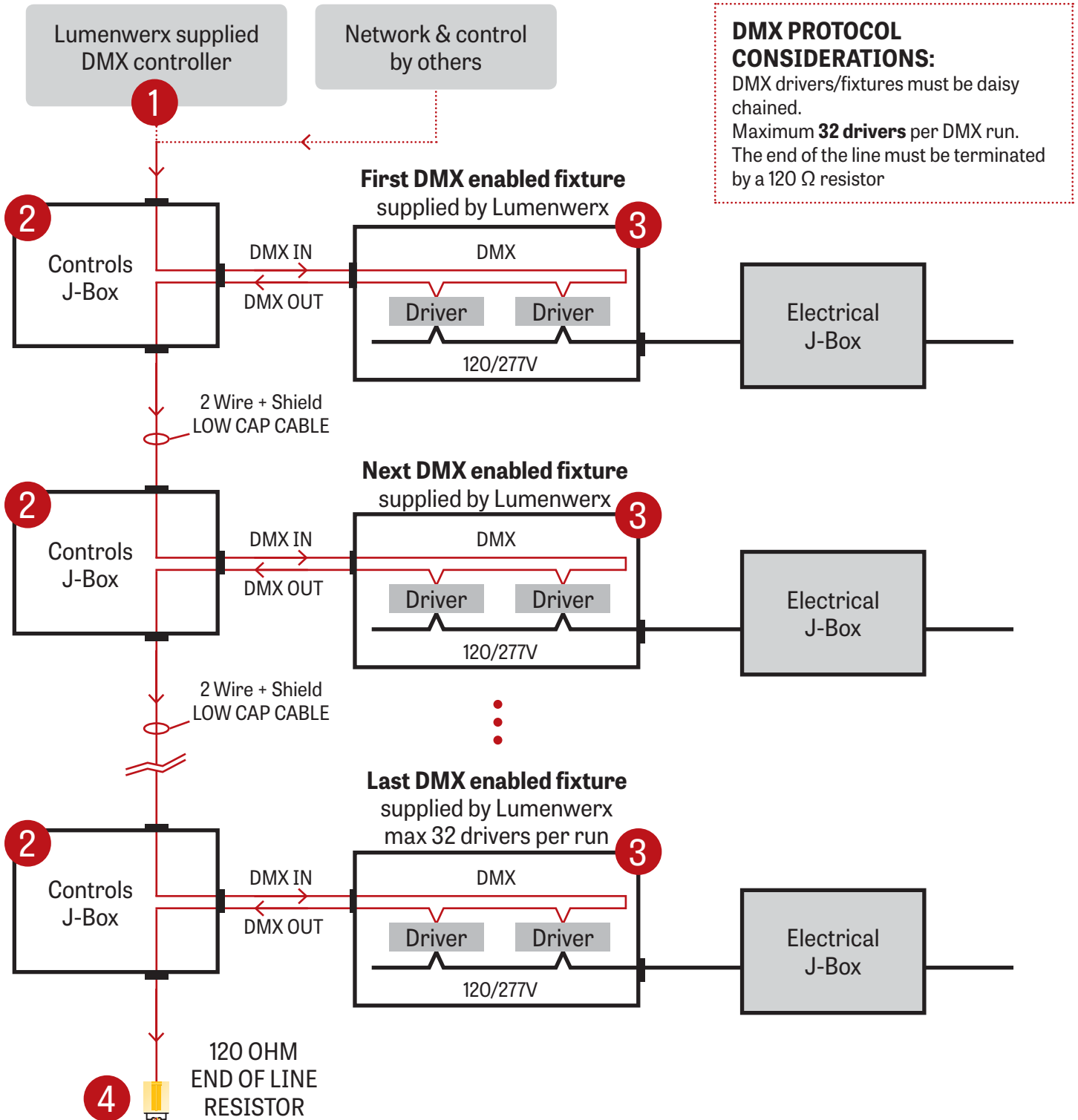
Subject to factory evaluation and approval. Please contact our controls specialist at controls@lumenwerx.com. Additional cost and equipment will be required. ✓

PRIMO 2x2 LED

RECESSED

CHROMAWERX TUNABLE WHITE

GENERIC DMX NETWORK ARCHITECTURE



PRIMO 2x2 LED

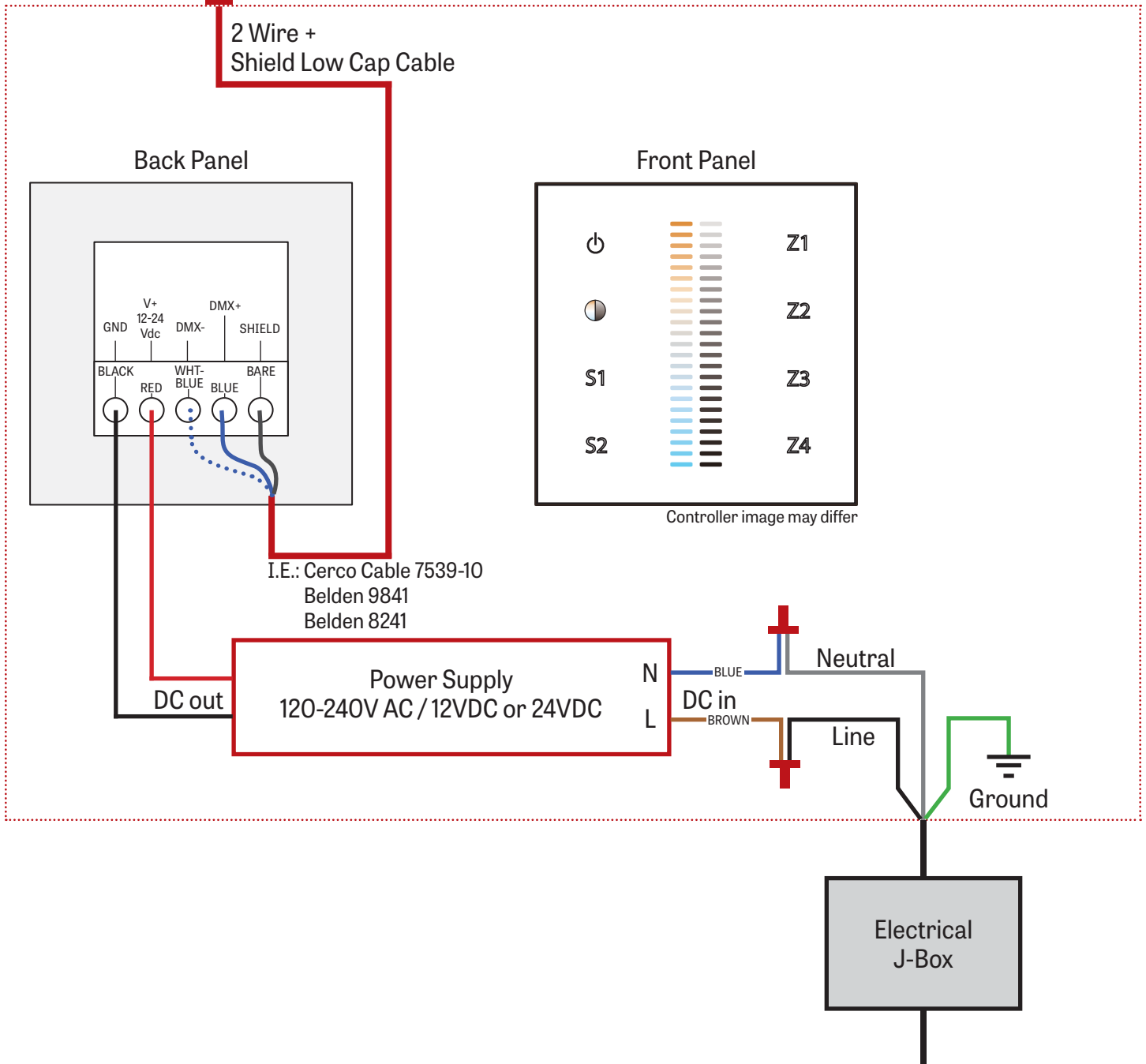
RECESSED

CHROMAWERX TUNABLE WHITE

1 LUMENWERX SUPPLIED DMX CONTROLLER

To the first fixture

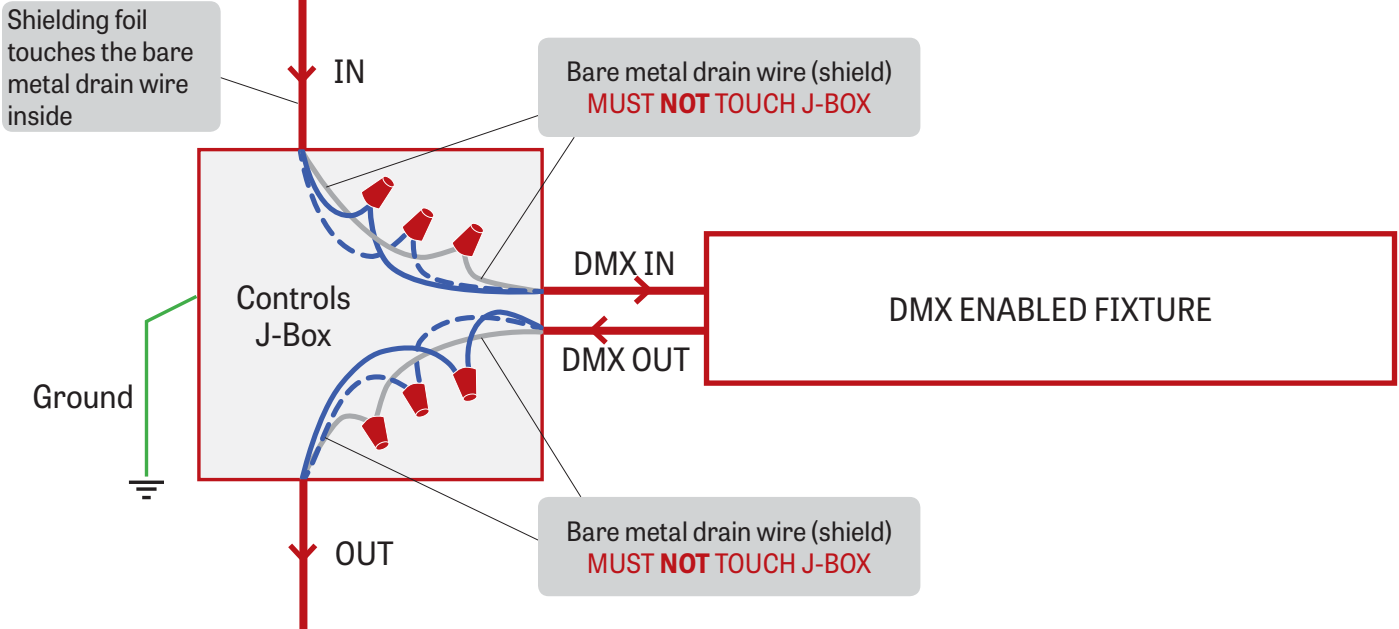
WALL BOX SUPPLIED BY OTHERS



CHROMAWERX TUNABLE WHITE

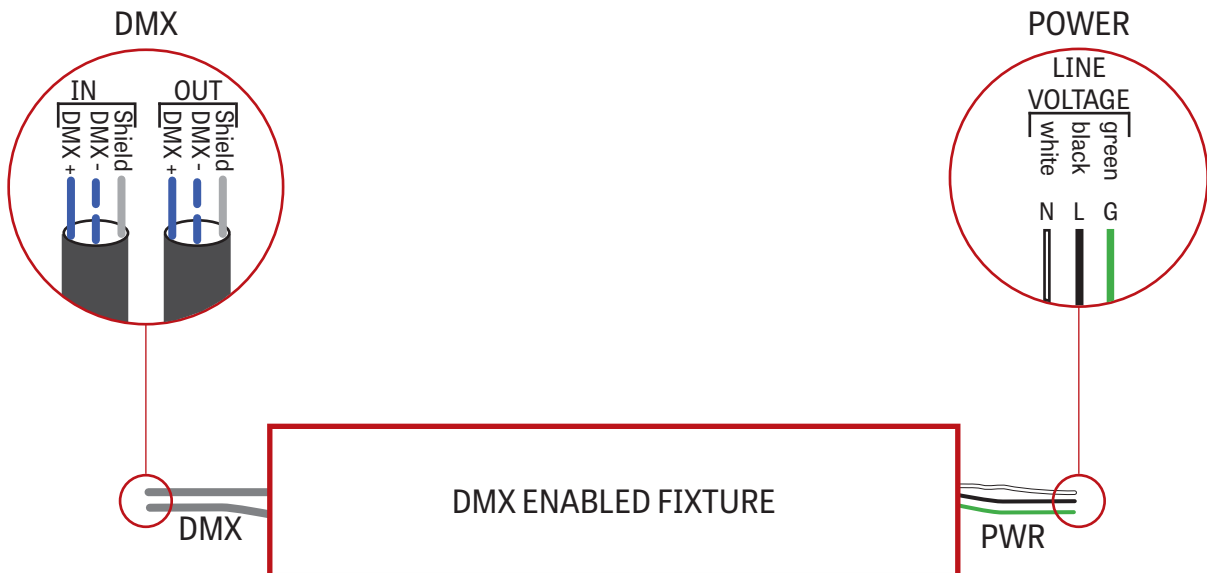
2 J-BOX DMX DAISY CHAIN DETAIL

Low capacitance DMX Cable from Previous Fixture

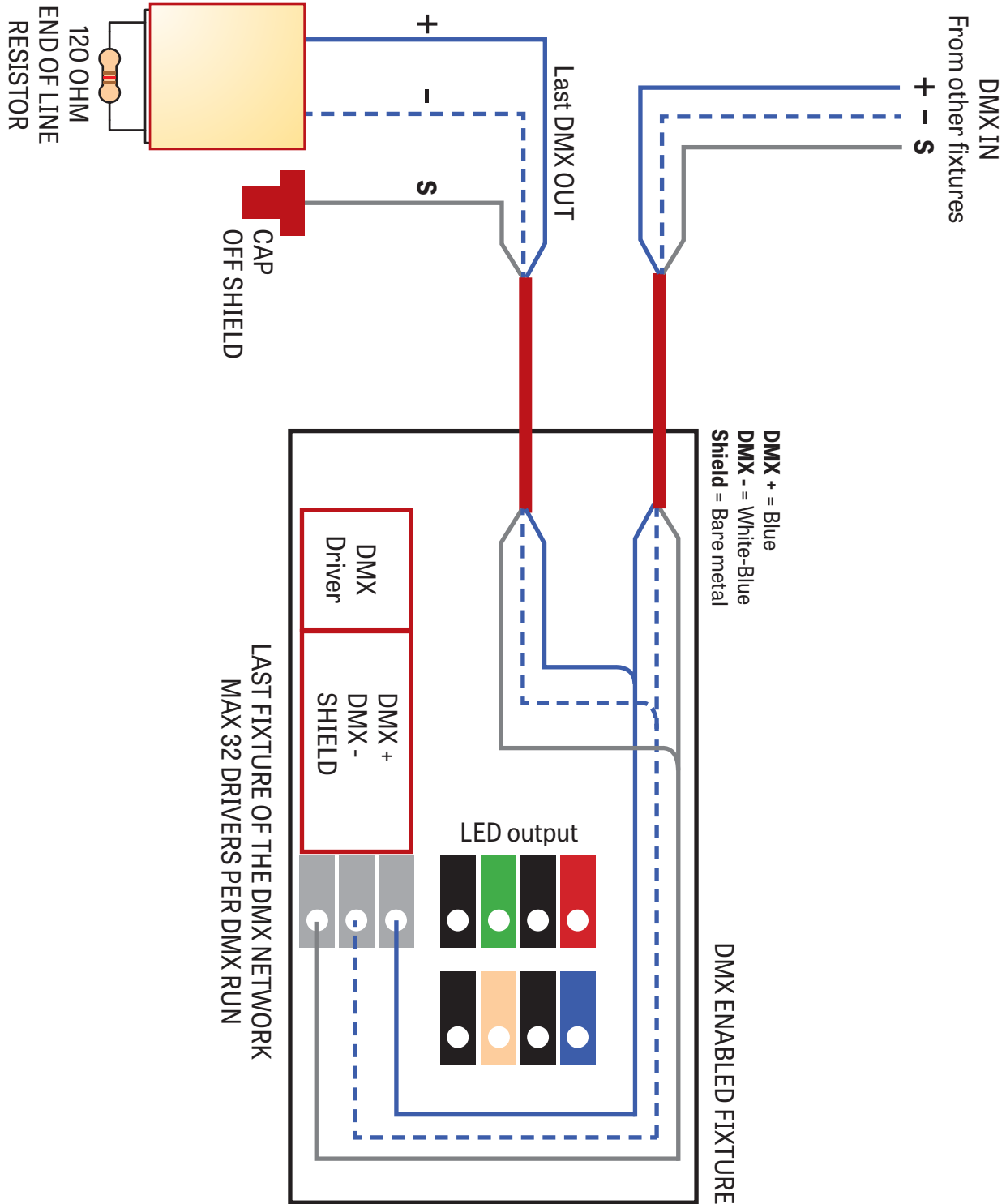


Low capacitance DMX cable to next fixture

3 DMX CONNECTION RECESSED & SURFACE



4 DMX LAST FIXTURE DETAIL



PRIMO 2x2 LED

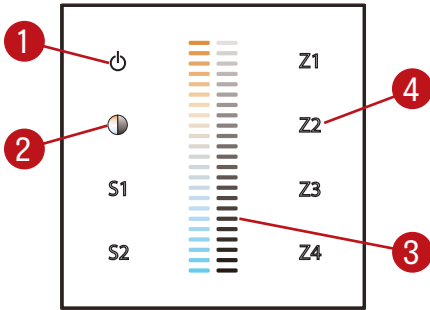
RECESSED

LUMENWERX
WWW.LUMENWERX.COM

CHROMAWERX TUNABLE WHITE

DMX WALL CONTROLLER

DUO 1-4 ZONE



- (1) Power: Use this button to turn ON or OFF the fixture
- (2) Brightness/CCT: Use the color/brightness toggle button to chose between color/brightness. when Blue: brightness is selected, when Yellow: color is selected.
- (3) Slider: Depending on the mode chosen in 2, the slider will allow the user to set desired color or brightness.
- (4) Zone select: Up to 4 zones can be selected either independently or together. Once selected the commands will be sent to the zone identified by a Blue LED.

Default DMX Addresses:

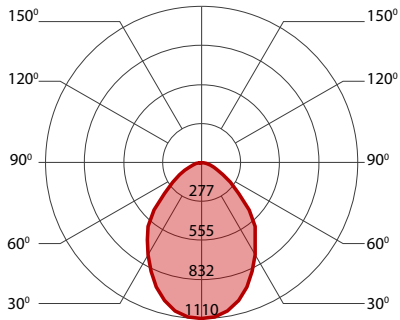
- 1 Warm
- 2 Cool

PRIMO 2x2 LED

RECESSED

CHROMAWERX TUNABLE WHITE AND DIM TO WARM

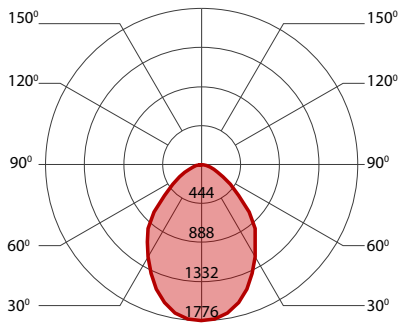
2000 LUMEN AT 80CRI - LOW OUTPUT



PERFORMANCE

LED output	Color Temp	Watts	Nominal Delivered Lumens	Efficacy LPW
low output	2700K	21	2000	96
low output	3000K	20	2000	98
low output	3500K	20	2000	101
low output	4000K	19	2000	104
low output	6500K	18.5	2000	108

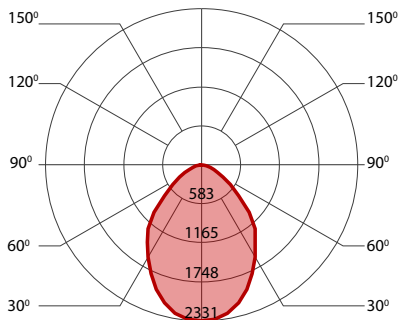
3200 LUMEN AT 80CRI - MEDIUM OUTPUT



PERFORMANCE

LED output	Color Temp	Watts	Nominal Delivered Lumens	Efficacy LPW
medium output	2700K	35	3200	92
medium output	3000K	34	3200	94
medium output	3500K	33	3200	97
medium output	4000K	32	3200	100
medium output	6500K	31	3200	104

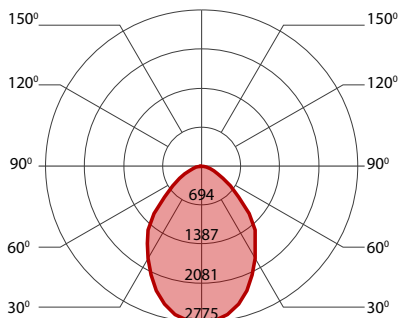
4200 LUMEN AT 80CRI - HIGH OUTPUT



PERFORMANCE

LED output	Color Temp	Watts	Nominal Delivered Lumens	Efficacy LPW
high output	2700K	47	4200	89
high output	3000K	46	4200	91
high output	3500K	45	4200	94
high output	4000K	43	4200	97
high output	6500K	41.5	4200	101

5000 LUMEN AT 80CRI - ULTRA HIGH OUTPUT



PERFORMANCE

LED output	Color Temp	Watts	Nominal Delivered Lumens	Efficacy LPW
ultra high output	2700K	57.5	5000	87
ultra high output	3000K	56	5000	89
ultra high output	3500K	54	5000	92
ultra high output	4000K	53	5000	95
ultra high output	6500K	50.5	5000	99