

RIM AIR

PENDANT
STATIC WHITE



Project: _____

Type: _____



Rim Air Round



Rim Air Square

DESCRIPTION

Rim Air Round

Available in three standard sizes, from 24" to 48" diameter, Rim Air Round fixtures are vertical counterparts of horizontal Rim Round models. They are decorative with a sleek profile suitable in any interior environment, especially when combined with general lighting, wall wash, and/or perimeter effects. Rim Air Round is equipped with LED arrays illuminating inward from its circular housing. It is also available with Chromawerx Sola, Duo, and Quadro (consult factory).

Rim Air Square

Available in three standard sizes, from 24" x 24" to 48" x 48", Rim Air Square fixtures are vertical counterparts of horizontal Rim Square models. They are decorative with a sleek profile suitable in any interior environment, especially when combined with general lighting, wall wash, and/or perimeter effects. Rim Air Square is equipped with LED arrays illuminating inward from its square housing. It is also available with Chromawerx Sola, Duo, and Quadro (consult factory).

Order Guide

Up to 90 lm/W performance

LUMINAIRE ID	SIZE	OPTIC	LIGHT SOURCE ¹	CRI	LUMEN PACKAGE			COLOR TEMP.	VOLTAGE	
		ULO	SW	90CRI						
RIMARP - Rim Air Round Pendant	24IN - Round Ø 24", or Square 24" x 24" 36IN - Round Ø 36", or Square 36" x 36"	ULO - Uniform Lambertian Optic	SW - Static white ¹ Chromawerx SOLA, DUO, and QUADRO also available. Consult factory.	90CRI - 90 CRI	Low R-24" R-36" R-48" S-24" S-36" S-48"	Medium 2000LM 3000LM 4000LM 2600LM 3900LM 5200LM	High 3000LM 4500LM 6000LM 3800LM 5800LM 7700LM	4000LM 6000LM 8000LM 5000LM 7600LM 10200LM	27K - 2700K 30K - 3000K 35K - 3500K 40K - 4000K	120V - 120V 277V - 277V UNV - 120V-277V 347V ² - 347V
RIMASP - Rim Air Square Pendant	48IN - Round Ø 48", or Square 48" x 48"								² Available with D1 driver only.	

REMOTE DRIVER ³	ELECTRICAL ⁵	MOUNTING				
	1C			STM	SC	
D1 - 1% 0-10V DA ⁴ - DALI LDE1 ⁴ - Lutron Hi-Lume 1% Eco ELD1 - eldoLED 1% ECOdrive 0-10V ELDO - eldoLED 0.1% SOLOdrive 0-10V ³ PoE (Power-over-Ethernet) compatible. Consult factory for details. ⁴ On-site commissioning is required.	1C - 1 circuit ⁵ For other circuit configurations, consult factory.	DRIVER BOX ⁶ RCD ^{7,8,9} - Round canopy driver box SCD ^{7,8,10} - Square canopy driver box RDB ¹¹ - Remote driver box	CANOPY FINISH W - Matte white AL - Aluminum B - Matte black CF - Custom finish, specify RAL#	MOUNTING TYPE STM ¹² - Stem (Ø0.5") ¹² Stem finish is the same color as fixture.	MOUNTING POINTS SC - Single canopy	MOUNTING HEIGHT ¹³ ##IN ¹⁴ - Specify nominal length in inches ¹³ Distance from the canopy to the fixture. ¹⁴ Maximum 48".
See website for the Pendant Mounting Guide						

FINISH
W - Matte white AL - Aluminum B - Matte black CF - Custom finish, specify RAL#

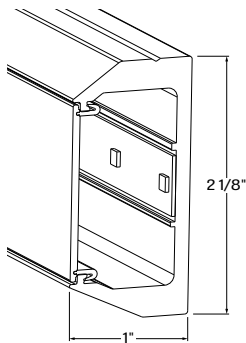
RIM AIR

PENDANT
STATIC WHITE



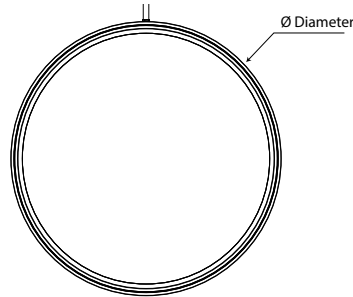
Dimensions

SECTION VIEW

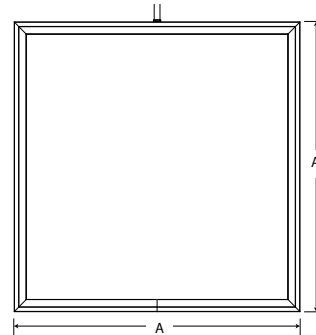


Rim Air Pendant

SIDE VIEW



RIMARP - Rim Air Round Pendant



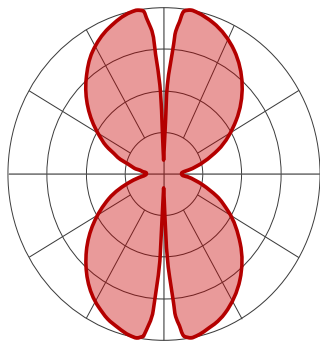
RIMASP - Rim Air Square Pendant

Ø Diameter	
R-24"	Ø 24 1/4"
R-36"	Ø 35 5/8"
R-48"	Ø 48"

A	
S-24"	24 5/8"
S-36"	36 5/8"
S-48"	48 5/8"

Photometrics

RIMARP - RIM AIR ROUND PENDANT



Delivered lumens at 40K at 90 CRI

Ø 24"

LED output	WATTS	NOMINAL DELIVERED LUMENS	LPW
Low	22.2	2000	90
Medium	34.6	3000	87
High	47.7	4000	84

Ø 36"

LED output	WATTS	NOMINAL DELIVERED LUMENS	LPW
Low	33.4	3000	90
Medium	52	4500	87
High	71.7	6000	84

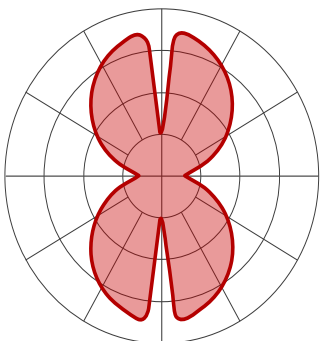
Ø 48"

LED output	WATTS	NOMINAL DELIVERED LUMENS	LPW
Low	44.5	4000	90
Medium	69.2	6000	87
High	95.4	8000	84

Multiplier @ 90 CRI

CCT (K)	Watts	LPW
2700	1.08	0.92
3000	1.05	0.96
3500	1.02	0.98
4000	1.00	1.00

RIMASP - RIM AIR SQUARE PENDANT



Delivered lumens at 40K at 90 CRI

24" x 24"

LED output	WATTS	NOMINAL DELIVERED LUMENS	LPW
Low	28.9	2600	90
Medium	43.7	3800	87
High	59.5	5000	84

36" x 36"

LED output	WATTS	NOMINAL DELIVERED LUMENS	LPW
Low	43.3	3900	90
Medium	66.7	5800	87
High	90.5	7600	84

48" x 48"

LED output	WATTS	NOMINAL DELIVERED LUMENS	LPW
Low	57.8	5200	90
Medium	88.5	7700	87
High	121.4	10200	84

Multiplier @ 90 CRI

CCT (K)	Watts	LPW
2700	1.08	0.92
3000	1.05	0.96
3500	1.02	0.98
4000	1.00	1.00

RIM AIR

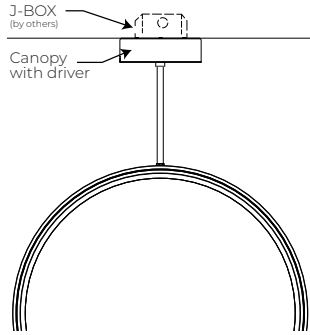
PENDANT
STATIC WHITE



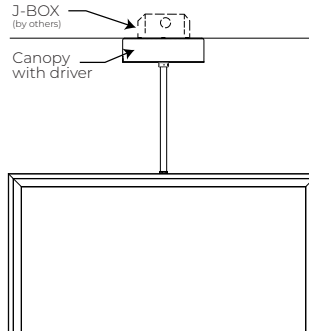
Mounting Options

RCD / SCD - ROUND / SQUARE CANOPY DRIVER BOX

SC - SINGLE CANOPY



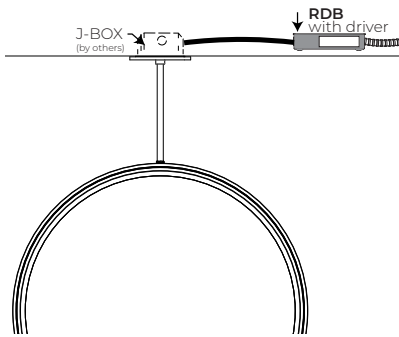
RIMARP - Rim Air Round Pendant



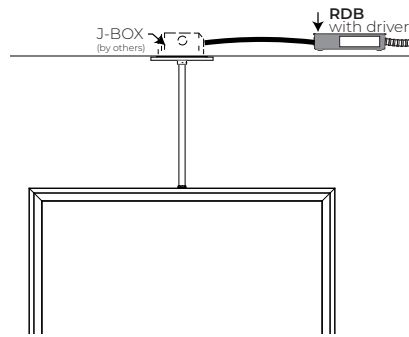
RIMASP - Rim Air Square Pendant

RDB - REMOTE DRIVER BOX

SC - SINGLE CANOPY



RIMARP - Rim Air Round Pendant



RIMASP - Rim Air Square Pendant

RIM AIR



PENDANT
STATIC WHITE

Technical Specifications

OPTIC

Uniform Lambertian Optic (ULO) - Thermoformed from impact-modified white PMMA, the ULO provides even luminosity, with up to 88% transmission. Combined with the LED array running around the inside of the housing, the open form and ULO create a widespread 50% direct and 50% indirect light distribution with spacing criteria of 1.6.

LIGHT SOURCE

Custom array of mid-flux LEDs are mounted directly to the housing for optimal thermal performance. Available in 2700K, 3000K, 3500K and 4000K with 90 CRI and elevated R9 value. Color consistency is maintained to 3 SDCM. LEDs are operated at a reduced drive current to optimize efficacy and lumen maintenance. All LEDs have been tested in accordance with IESNA LM-80-08 and results have shown L80 lumen maintenance are greater than 60,000 hours. Absolute product photometry is measured and presented in accordance with IESNA LM-79, unless otherwise indicated.

ELECTRICAL

Factory-set, adjustable output current LED driver with universal (120-277VAC) input. Dimmable from 100% to 1% with 0-10V dimming control. Rated life (90% survivorship) of 50,000 hours at 50°C max. ambient (and 70°C max. case) temperature. At maximum driver load: Efficiency > 84%, PF > 0.9, THD < 20%. Other specifiable options include Lutron Hi-Lume 1% Eco, eldoLED 1% ECOdrive 0-10V, eldoLED 0.1% SOLOdrive 0-10V, and DALI protocol drivers. All of our standard 0-10V drivers are NEMA 410 compliant.

PoE

Depending on the PoE manufacturer selected, Lumenwerx will install the node in factory as either integral to the luminaire or as a remote module. Factory programming of the PoE node may or may not enable the following functionalities: lumen package, Duo (tunable white), Quadro (RGBW), emergency battery backup, and sensor integration. These must be addressed and evaluated on a case-by-case basis.

FINISH

Interior - 95% reflective, matte white powder coating
Exterior - Matte white, matte black or aluminum powder coating. Custom finishes are also available.

CONSTRUCTION

Housing - Rolled and seamlessly welded aluminum extrusion, wide variety of colored powder coating
Diffuser - Uniform Lambertian optic, co-extruded flexible polycarbonate satine finished lens

WEIGHT

Round Ø 24" - 5lbs - 2.2kg
Round Ø 36" - 7.5lbs - 3.4kg
Round Ø 48" - 10lbs - 4.5kg
Square 24" x 24" - 6.4lbs - 2.9kg
Square 36" x 36" - 9.6lbs - 4.3kg
Square 48" x 48" - 12.8lbs - 5.8kg

CERTIFICATION

ETL - Rated for Indoor Dry/Damp locations. Conforms to UL Standard 1598 and certified to CAN/CSA Standard C22.2 No. 250.0.

WARRANTY

Lumenwerx provides a five-year limited warranty of electrical and mechanical performance of the luminaires, including the LED boards, drivers, and auxiliary electronics. Lumenwerx will repair or replace defective luminaires or components at our discretion, provided they have been installed and operated in accordance with our specifications. Other limitations apply, please refer to the full warranty on our website.