

RIM MULTIPLE

Pendant - Remote Driver Box (RDB) - Single Canopy



INSTALLATION INSTRUCTIONS

! This product must be installed in accordance with the National Electrical Code and all applicable local codes, by a person familiar with the construction and operation of the product, and the hazards involved. Proper grounding is required for safety.

Ce produit doit être installé suivant le code national de l'électricité, ainsi que tous les codes locaux applicables, par une personne familière avec la construction et le fonctionnement du produit, ainsi que tous les risques qui y sont associés. La mise à terre électrique est obligatoire pour la sécurité.

! Disconnect power before installation or servicing.

! Wire dimming conductors as Class 1.

! A luminaire with more than one power supply connection means shall be connected to only one branch circuit.

💡 For electrical connections, please refer to the [wiring diagram guide](#).

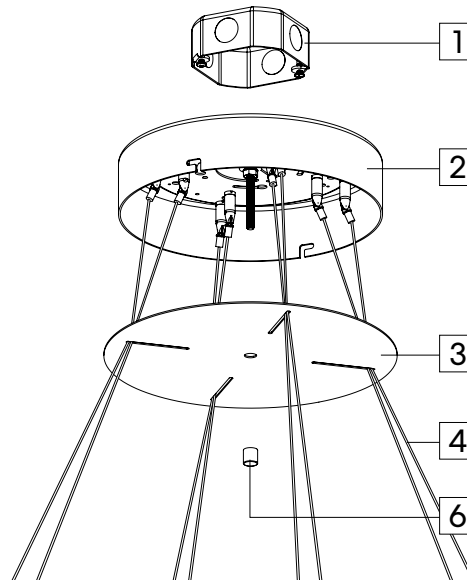
💡 For remote driver box installation instructions, please refer to the [remote driver installation sheet](#).

💡 Shown with round canopy. Applicable to square canopy.

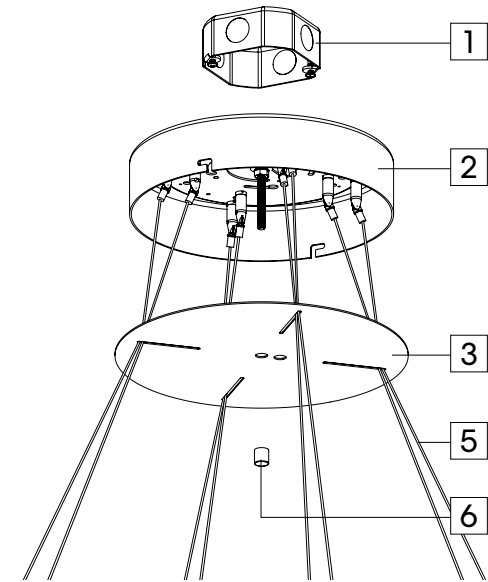
💡 Number of cables may vary.



POC
POWER-OVER-AIRCRAFT CABLE



AC
AIRCRAFT CABLE



INDEX

POC.....	P2
Aircraft cable.....	P4

ITEMS LIST

1	Standard J-box (by others)
2	Canopy
3	Canopy plate
4	Power-over-aircraft cable
5	Aircraft cable
6	Decorative nut

TOOLS REQUIRED

- Phillips screwdriver
- Aircraft cable cutter
- 1/4" drill bit
- Scissors (for POC)



RIM MULTIPLE

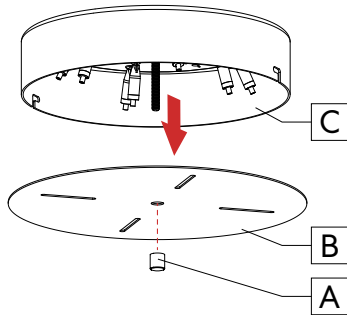
Pendant - Remote Driver Box (RDB) - Single Canopy



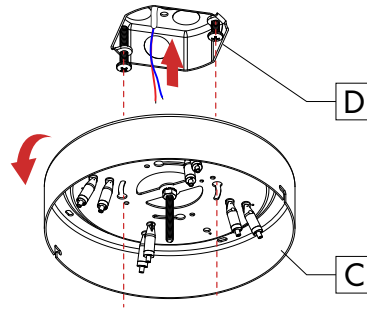
POC (POWER-OVER-AIRCRAFT CABLE)

1 PREPARE MOUNTING POINTS.

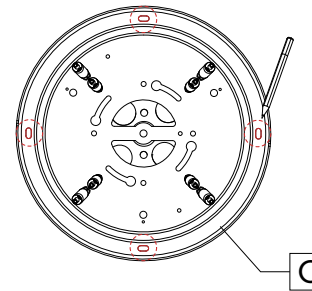
Loosen the decorative nut [A] on the canopy plate [B]. Separate the canopy plate [B] from the canopy [C].



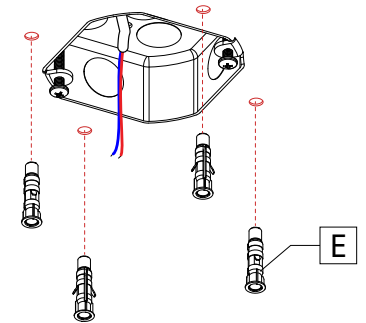
Fix the canopy [C] on the junction box [D].



Use the canopy [C] as a model to mark 4 holes.

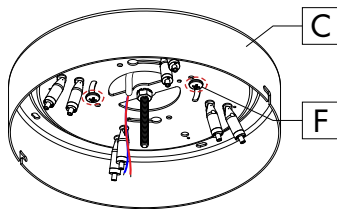


Remove the canopy. Drill holes (Ø 1/4") following the red marks. Install #8 drywall anchors [E].

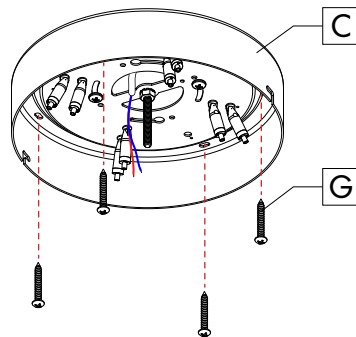


2 FIX CANOPY TO CEILING.

Tighten the two screws [F] to secure the canopy [C] to the junction box.



Use #8 screws [G] to fasten the canopy [C] to the ceiling.

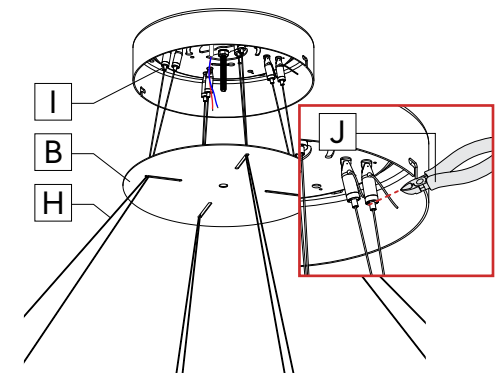


3 INSTALL AIRCRAFT CABLES.

Pass all aircraft cables [H] through the canopy plate [B]. Insert them into the griplocks [I]. Adjust the cables by pushing the feeder tube [I].

Cut the excess cables with an aircraft cable cutter [J].

Note: Height adjustment of the fixture must be done at this step. Leave POC (power-over-aircraft cable) length of 1.5" to make the connection inside the canopy. Number of aircraft cables may vary.



RIM MULTIPLE

Pendant - Remote Driver Box (RDB) - Single Canopy

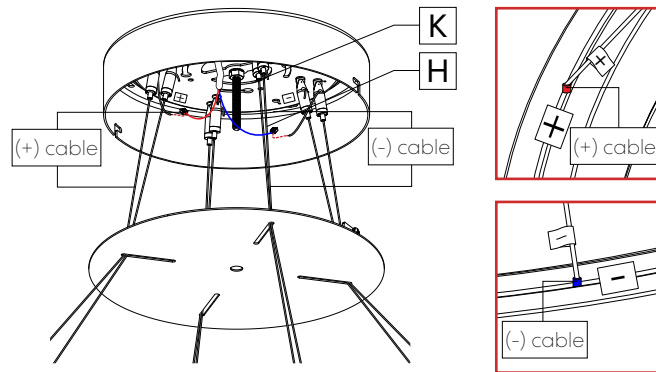


POC (POWER-OVER-AIRCRAFT CABLE)

4 MAKE ELECTRICAL CONNECTIONS.

Make electrical connections between POC (power-over-aircraft cable) [H] and the remote driver feed [K].

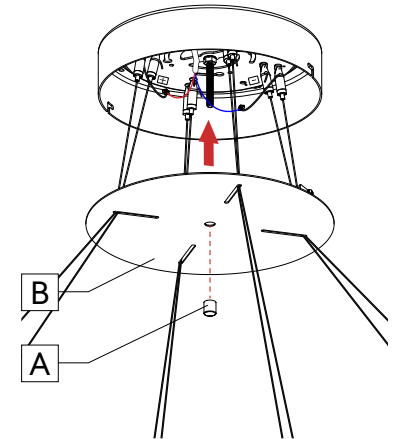
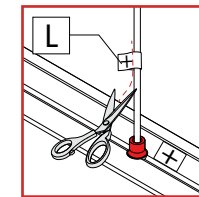
Note: Make sure that you are connecting the negative (-) POC (as marked on the fixture with blue color and a label) to your negative wire and the positive (+) POC (as marked on the fixture with red color and a label) to your positive wire.



5 REINSTALL CANOPY PLATE.

Put the canopy plate [B] back in place and fix using the decorative nut [A].

Cut the labels [L] off the wires.



RIM MULTIPLE

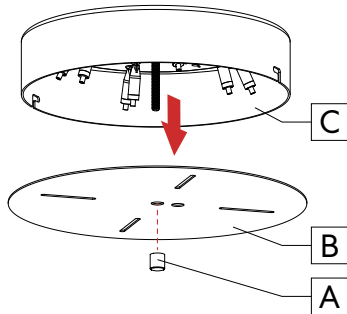
Pendant - Remote Driver Box (RDB) - Single Canopy



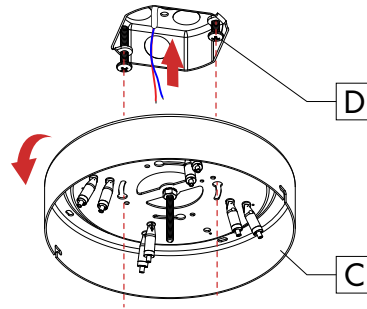
AC (AIRCRAFT CABLE)

1 PREPARE MOUNTING POINTS.

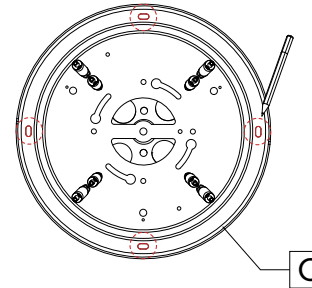
Loosen the decorative nut [A] on the canopy plate [B]. Separate the canopy plate [B] from the canopy [C].



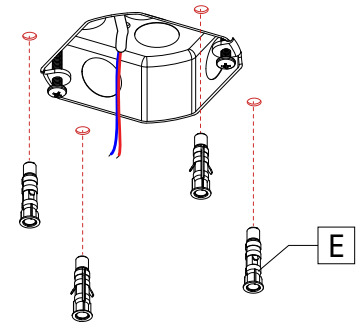
Fix the canopy [C] on the junction box [D].



Use the canopy [C] as a model to mark 4 holes.

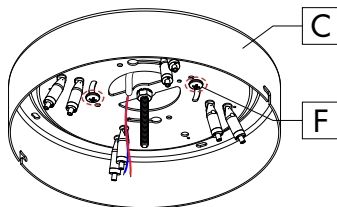


Remove the canopy. Drill holes (Ø 1/4") following the red marks. Install #8 drywall anchors [E].

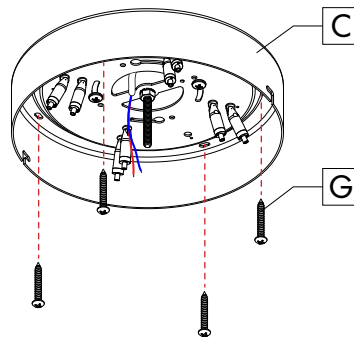


2 FIX CANOPY TO CEILING.

Tighten the two screws [F] to secure the canopy [C] to the junction box.



Use #8 screws [G] to fasten the canopy [C] to the ceiling.

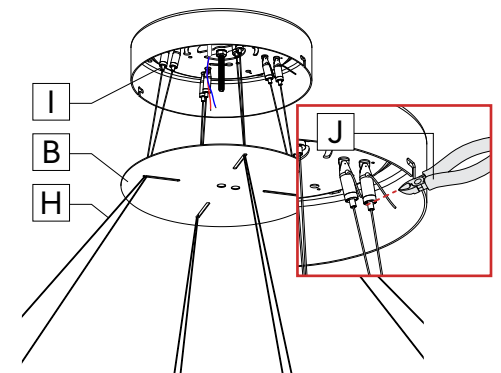


3 INSTALL AIRCRAFT CABLES.

Pass all aircraft cables [H] through the canopy plate [B]. Insert them into the griplocks [I]. Adjust the cables by pushing the feeder tube [I].

Cut the excess cables with an aircraft cable cutter [J].

Note: Height adjustment of the fixture must be done at this step. Number of aircraft cables may vary.



RIM MULTIPLE

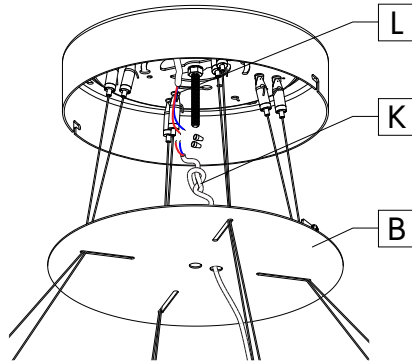
Pendant - Remote Driver Box (RDB) - Single Canopy



AC (AIRCRAFT CABLE)

4 MAKE ELECTRICAL CONNECTIONS.

Pass the power cord **[K]** into the canopy plate **[B]** and make a knot. Make electrical connections between the power cord **[K]** and the remote driver feed **[L]**.



5 REINSTALL CANOPY PLATE.

Secure the power cord **[K]** to the aircraft cable **[H]** with plastic clip **[M]**.

Put the canopy plate **[B]** back in place and fix using the decorative nut **[A]**.

