

RIM MULTIPLE ROUND



PENDANT
STATIC WHITE



Project: _____
Type: _____



DESCRIPTION

Rim Multiple Round pendants are the result of bringing two or three Rim Round fixtures (with diameters from 24" to 60" only) together arranged on different planes and sharing one canopy. Rim Round is equipped with LED arrays illuminating inward from its circular housing. Rim Multiple Round fixtures serve as decorative, modern focal points of interior spaces that in some cases may also require general lighting and perhaps a wall wash and/or perimeter effects, as well. It is also available with Chromawerx Sola, Duo, and Quadro (consult factory).

Up to 90 lm/W performance

Order Guide

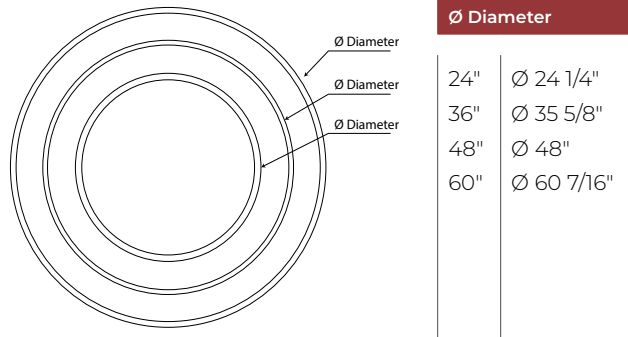
LUMINAIRE ID		SIZE	OPTIC		LIGHT SOURCE ¹	CRI													
RIMMRP			ULO		SW	90CRI													
RIMMRP - Rim Multiple Round Pendant		2 RINGS 24IN+36IN - Ø 24" + Ø 36" 24IN+48IN - Ø 24" + Ø 48" 24IN+60IN - Ø 24" + Ø 60" 36IN+48IN - Ø 36" + Ø 48" 36IN+60IN - Ø 36" + Ø 60" 48IN+60IN - Ø 48" + Ø 60"	3 RINGS 24IN+36IN+48IN - Ø 24" + Ø 36" + Ø 48" 24IN+36IN+60IN - Ø 24" + Ø 36" + Ø 60" 24IN+48IN+60IN - Ø 24" + Ø 48" + Ø 60" 36IN+48IN+60IN - Ø 36" + Ø 48" + Ø 60"		ULO - Uniform Lambertian Optic	SW - Static white ¹ Chromawerx SOLA, DUO, and QUADRO also available. Consult factory.	90CRI - 90 CRI												
LUMEN PACKAGE				COLOR TEMP.	VOLTAGE	REMOTE DRIVER ³	ELECTRICAL ⁵												
							1C												
2 RINGS		3 RINGS			27K - 2700K 30K - 3000K 35K - 3500K 40K - 4000K	120V - 120V 277V - 277V UNV - 120V-277V 347V ² -347V ² Available with D1 driver only.	D1 - 1% 0-10V DA ⁴ - DALI LDE1 ⁴ - Lutron Hi-Lume 1% Eco ELD1 - eldoLED 1% ECOdrive 0-10V ELDO - eldoLED0.1% SOLOdrive 0-10V ³ PoE (Power-over-Ethernet) compatible. Consult factory for details. ⁴ On-site commissioning is required.	1C - 1 circuit ⁵ For other circuit configurations, consult factory.											
24"+36"	Low	Med.	High	24"+36"+48"					Low	Med.	High								
24"+48"	5000LM	7500LM	10000LM	24"+36"+60"					9000LM	13500LM	18000LM								
24"+60"	6000LM	9000LM	12000LM	24"+48"+60"					10000LM	15000LM	20000LM								
36"+48"	7000LM	10500LM	14000LM	36"+48"+60"					11000LM	16500LM	22000LM								
36"+60"	7000LM	10500LM	14000LM						12000LM	18000LM	24000LM								
48"+60"	8000LM	12000LM	16000LM																
MOUNTING				FINISH															
RDB				SC															
DRIVER BOX ⁶		CANOPY FINISH		POWER		MOUNTING POINTS		MOUNTING CABLE LENGTH ⁸		W - Matte white AL - Aluminum B - Matte black CF - Custom finish, specify RAL#									
RDB ⁷ - Remote driver box		W - Matte white AL - Aluminum B - Matte black CF - Custom finish, specify RAL#		POC - Integrated suspension power-over-aircraft cable BAC - Black power cord + aircraft cable WAC - White power cord + aircraft cable		SC - Single canopy		18IN - 18" 24IN - 24" 36IN - 36" 48IN - 48" 60IN - 60" 72IN - 72" 96IN - 96" 120IN - 120" ##IN - Specify nominal length in inches											
⁶ For more information see page 3. ⁷ Multiple remote driver boxes may be necessary for lumen packages higher than 10000 lm.								⁸ Minimum mounting heights are based on the size of the ring on top (closest to ceiling) of the stack:											
						<table border="1"> <thead> <tr> <th>Fixture size</th> <th>Minimum height</th> </tr> </thead> <tbody> <tr> <td>Ø 24"</td> <td>min height 14"</td> </tr> <tr> <td>Ø 36"</td> <td>min height 21"</td> </tr> <tr> <td>Ø 48"</td> <td>min height 28"</td> </tr> <tr> <td>Ø 60"</td> <td>min height 35"</td> </tr> </tbody> </table>		Fixture size	Minimum height	Ø 24"	min height 14"	Ø 36"	min height 21"	Ø 48"	min height 28"	Ø 60"	min height 35"		
Fixture size	Minimum height																		
Ø 24"	min height 14"																		
Ø 36"	min height 21"																		
Ø 48"	min height 28"																		
Ø 60"	min height 35"																		
See website for the Pendant Mounting Guide																			

RIM MULTIPLE ROUND



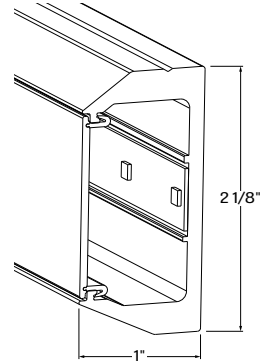
PENDANT
STATIC WHITE

Dimensions



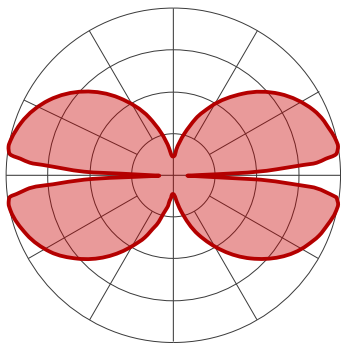
RIMMRP - Rim Multiple Round Pendant

SECTION VIEW



RIMMRP - Rim Multiple Round Pendant

Photometrics



Delivered lumens at 40K at 90 CRI

Ø 24"

LED output	WATTS	NOMINAL DELIVERED LUMENS	LPW
Low	22.2	2000	90
Medium	34.6	3000	87
High	47.7	4000	84

Ø 36"

LED output	WATTS	NOMINAL DELIVERED LUMENS	LPW
Low	33.4	3000	90
Medium	51.7	4500	87
High	71.7	6000	84

Ø 48"

LED output	WATTS	NOMINAL DELIVERED LUMENS	LPW
Low	44.5	4000	90
Medium	69.2	6000	87
High	95.4	8000	84

Ø 60"

LED output	WATTS	NOMINAL DELIVERED LUMENS	LPW
Low	55.6	5000	90
Medium	86.5	7500	87
High	119.3	10000	84

Multiplier @ 90 CRI

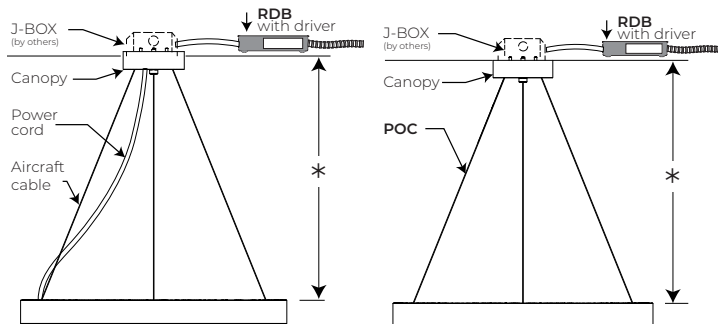
CCT (K)	Watts	LPW
2700	1.08	0.92
3000	1.05	0.96
3500	1.02	0.98
4000	1.00	1.00

RIM MULTIPLE ROUND



PENDANT
STATIC WHITE

Mounting Options



AC - Aircraft cable

POC - Power-over-aircraft cable

*Minimum height

For single canopy option, the minimum required mounting heights:

Fixture size	* Minimum height
Ø 24"	min height 14"
Ø 36"	min height 21"
Ø 48"	min height 28"
Ø 60"	min height 35"

RIM MULTIPLE ROUND



PENDANT
STATIC WHITE

Technical Specifications

OPTIC

Uniform Lambertian Optic (ULO) - Thermoformed from impact-modified white PMMA, the ULO provides even luminosity, with up to 88% transmission. Combined with the LED array running around the inside of the housing, the open form and ULO create a widespread 50% direct and 50% indirect light distribution with spacing criteria of 1.6.

LIGHT SOURCE

Custom array of mid-flux LEDs are mounted directly to the housing for optimal thermal performance. Available in 2700K, 3000K, 3500K and 4000K with 90 CRI and elevated R9 value. Color consistency is maintained to 3 SDCM. LEDs are operated at a reduced drive current to optimize efficacy and lumen maintenance. All LEDs have been tested in accordance with IESNA LM-80-08 and results have shown L80 lumen maintenance are greater than 60,000 hours. Absolute product photometry is measured and presented in accordance with IESNA LM-79, unless otherwise indicated.

ELECTRICAL

Factory-set, adjustable output current LED driver with universal (120-277VAC) input. Dimmable from 100% to 1% with 0-10V dimming control. Rated life (90% survivorship) of 50,000 hours at 50°C max. ambient (and 70°C max. case) temperature. At maximum driver load: Efficiency > 84%, PF > 0.9, THD < 20%. Other specifiable options include Lutron Hi-Lume 1% Eco, eldoLED 1% ECOdrive 0-10V, eldoLED 0.1% SOLOdrive 0-10V, and DALI protocol drivers. All of our standard 0-10V drivers are NEMA 410 compliant.

PoE

Depending on the PoE manufacturer selected, Lumenwerx will install the node in factory as either integral to the luminaire or as a remote module. Factory programming of the PoE node may or may not enable the following functionalities: lumen package, Duo (tunable white), Quadro (RGBW), emergency battery backup, and sensor integration. These must be addressed and evaluated on a case-by-case basis.

FINISH

Interior - 95% reflective, matte white powder coating
Exterior - Matte white, matte black or aluminum powder coating. Custom finishes are also available.

CONSTRUCTION

Housing - Rolled and seamlessly welded aluminum extrusion, wide variety of colored powder coating
Diffuser - Uniform Lambertian optic, co-extruded flexible polycarbonate satine finished lens

WEIGHT

Ø 24" - 5lbs - 2.2kg
Ø 36" - 7.5lbs - 3.4kg
Ø 48" - 10lbs - 4.5kg
Ø 60" - 12.5lbs - 5.6kg

CERTIFICATION

ETL - Rated for Indoor Dry/Damp locations. Conforms to UL Standard 1598 and certified to CAN/CSA Standard C22.2 No. 250.0.

WARRANTY

Lumenwerx provides a five-year limited warranty of electrical and mechanical performance of the luminaires, including the LED boards, drivers, and auxiliary electronics. Lumenwerx will repair or replace defective luminaires or components at our discretion, provided they have been installed and operated in accordance with our specifications. Other limitations apply, please refer to the full warranty on our website.