

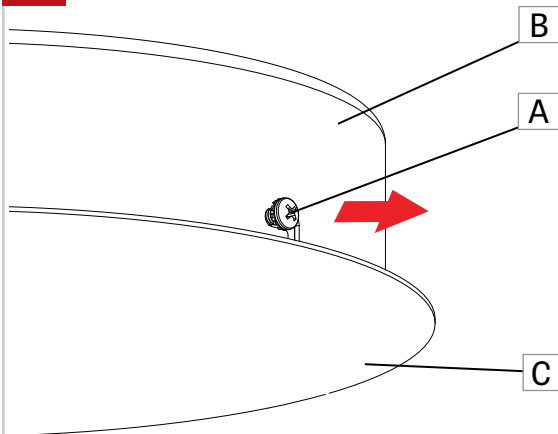
SHELL ROUND

PENDANT CABLE - CANOPY DRIVER - INST

IMPORTANT : Installation INST. are shown with SHELL 12" (Do not handle fixture by the wires)

NOTE: Wire dimming conductors as Class 1

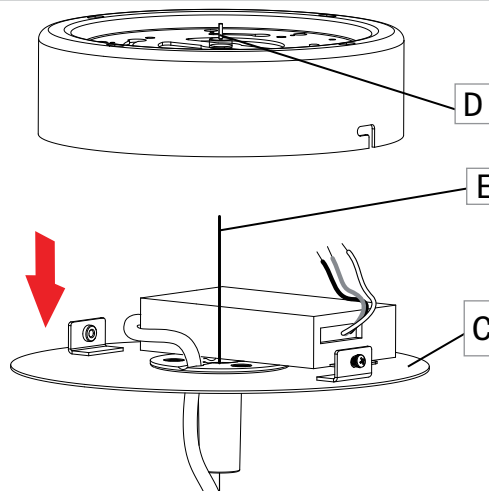
1



Slightly loosen the screws (A) on the side of the canopy (B). Remove the canopy plate (C). Do not completely remove the screws (A).

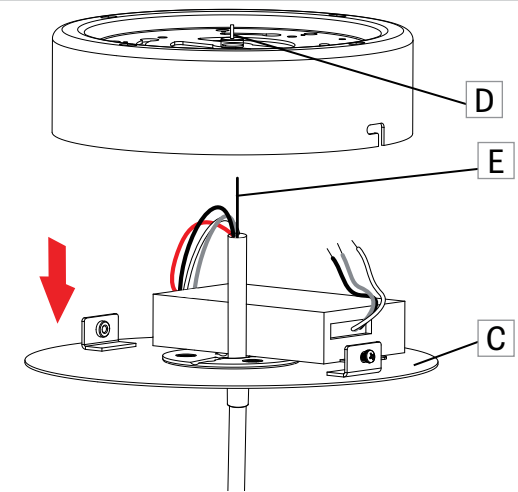
2

STANDARD POWER CABLE + AC CABLE

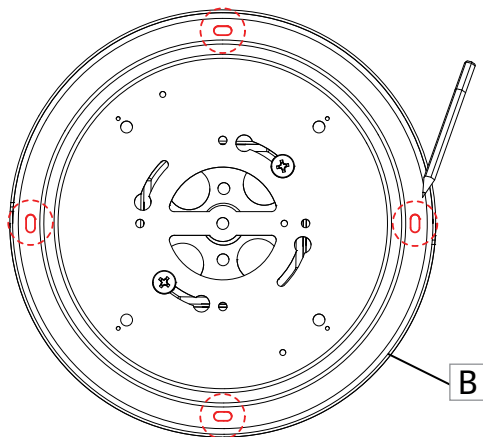


Release the cable (E) by pushing the feeder tube of the grip lock (D). Remove the canopy plate (C).

REINFORCED POWER CABLE

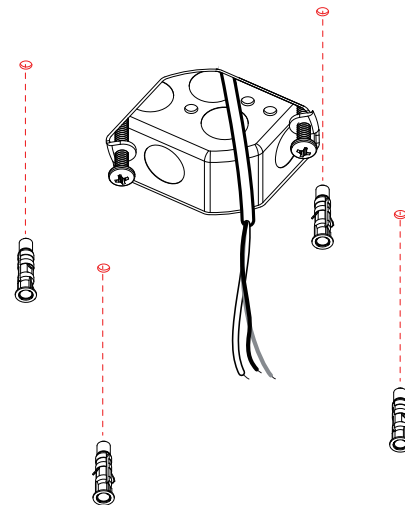


3



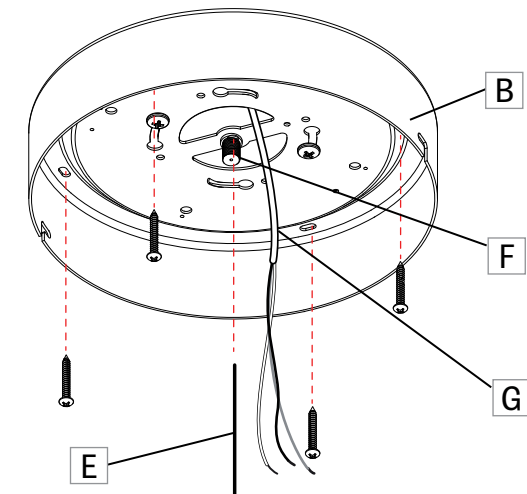
Use the canopy (B) as a model to mark 4 drill holes.

4



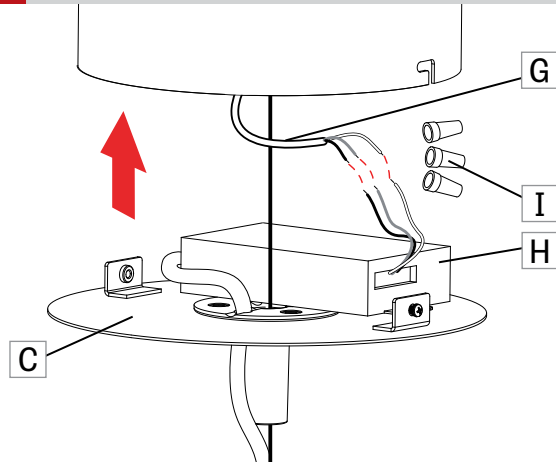
Remove the canopy and then drill holes (1/4" diameter) using the drawings previously marked as guide. Install #8 screw anchors (by others).

5



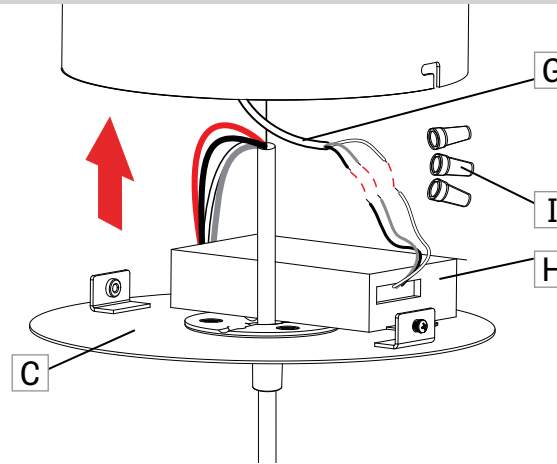
Reinsert the cable (E) into the griplock (F). Pass the main power cable (G) from the junction box into the canopy (B). Fasten the canopy (B) to the ceiling with screws (by others).

6 STANDARD POWER CABLE + AC CABLE

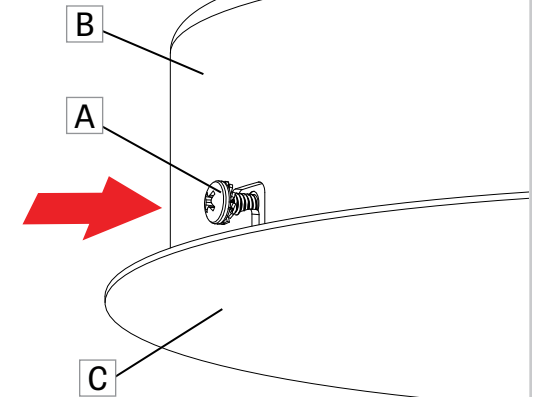


Make the electrical connection between the main power cable (G) and the canopy driver (H) with the marettes (I). Put the canopy plate (C) back in place.

REINFORCED POWER CABLE



7



Secure the canopy plate (C) onto the canopy (B) by tightening the two screws (A) on the sides.