

SHELL ROUND

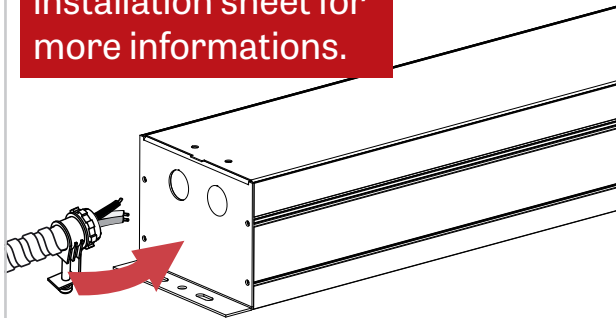
PENDANT CABLE - REMOTE DRIVER - INST

IMPORTANT : Installation INST. are shown with SHELL 12" (Do not handle fixture by the wires)

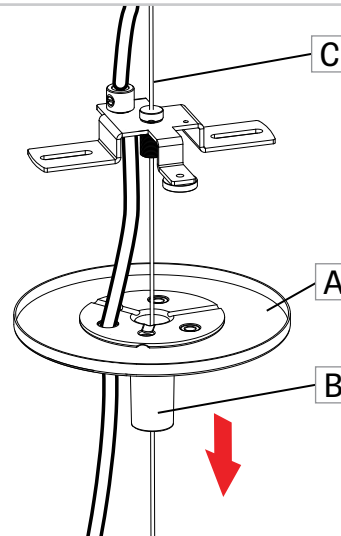
NOTE: Wire dimming conductors as Class 1

1 REMOTE DRIVER BOX

Please refer to the remote driver installation sheet for more informations.

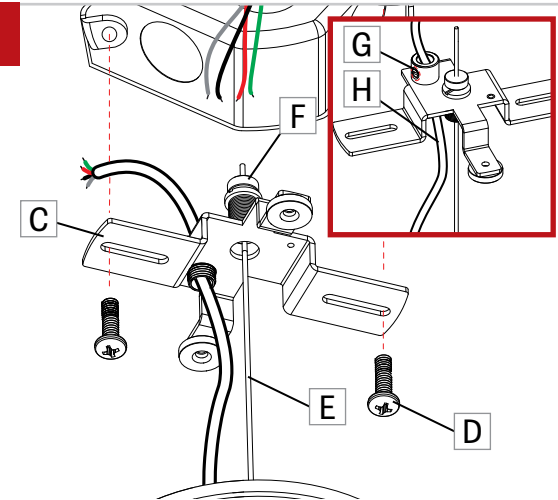


2



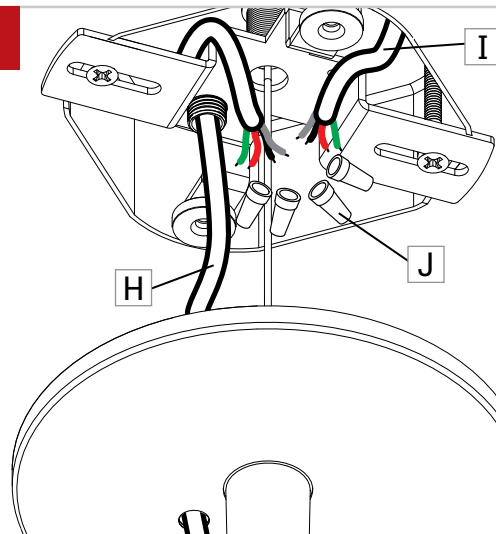
Lower the canopy (A) and the cone (B) along the aircraft cable (C).

3



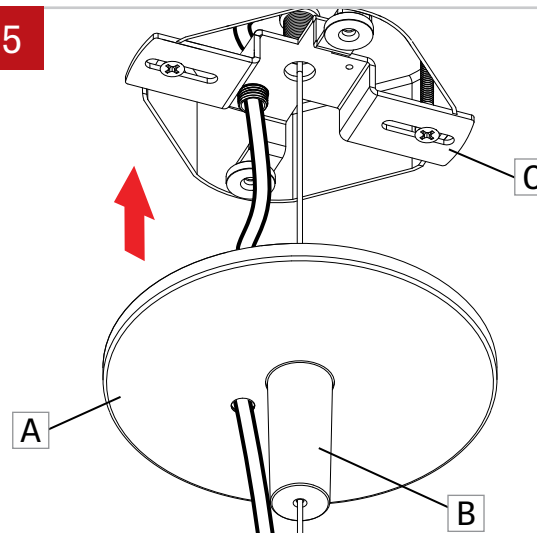
Install the cross-bracket (C) on the junction box with screws (D). Adjust the aircraft cable (E) length by pushing the feeder tube (F). Tighten the screw (G) to secure the power cord (H) with the strain relief.

4



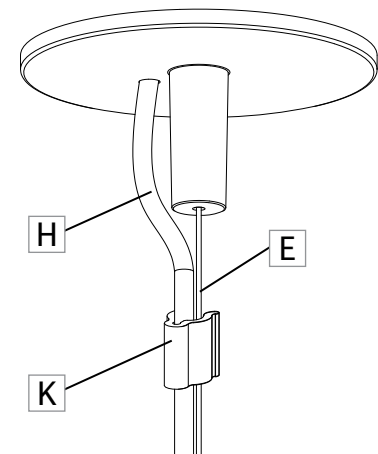
Make the electrical connection between the wires (I) from the building and the power cord (H) on the fixture with the marettes (J).

5



Attach the canopy (A) and the cone (B) on the magnetic cross bracket (C).

6



Secure the power cord (H) to the aircraft cable (E) with the plastic clip (K).