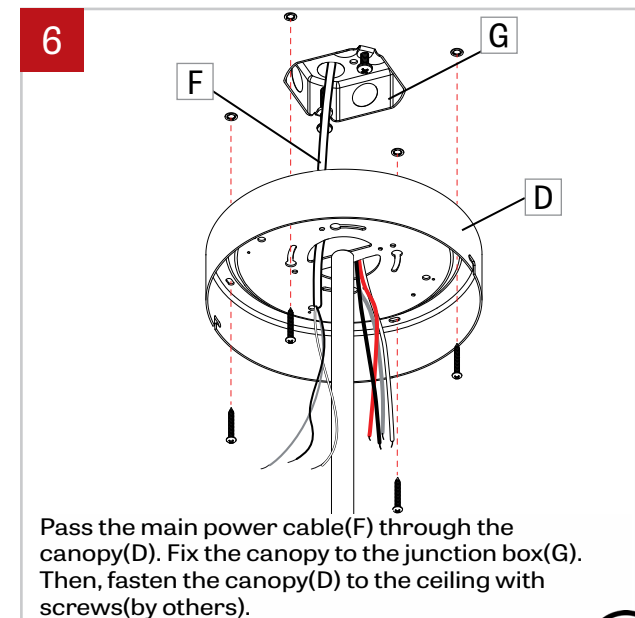
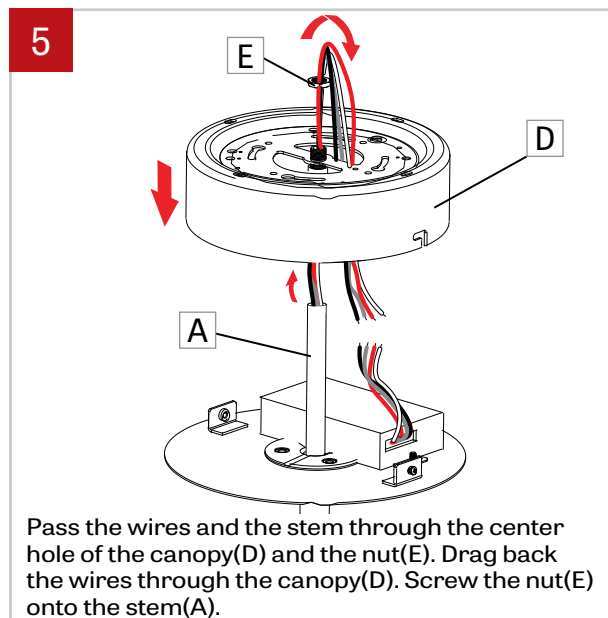
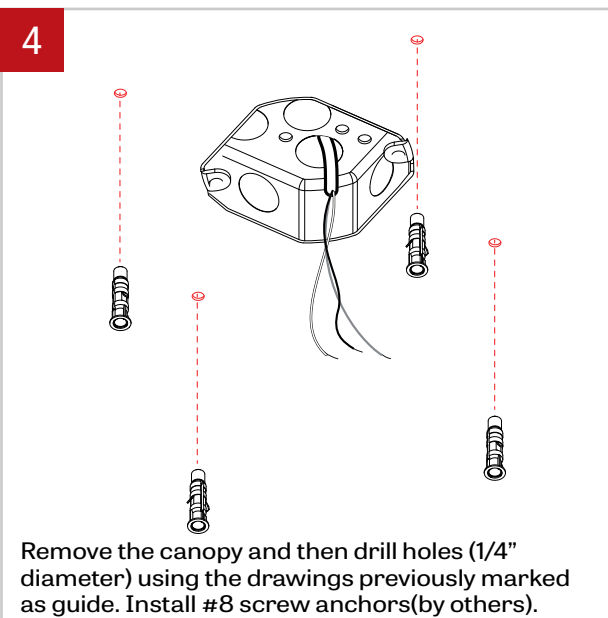
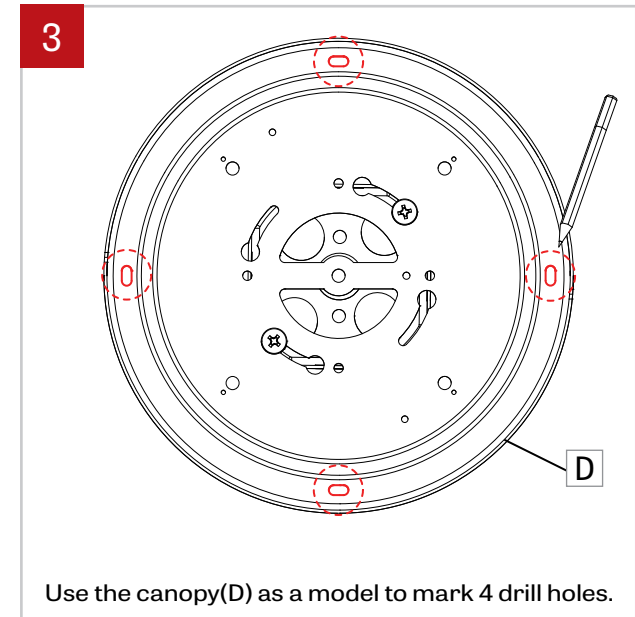
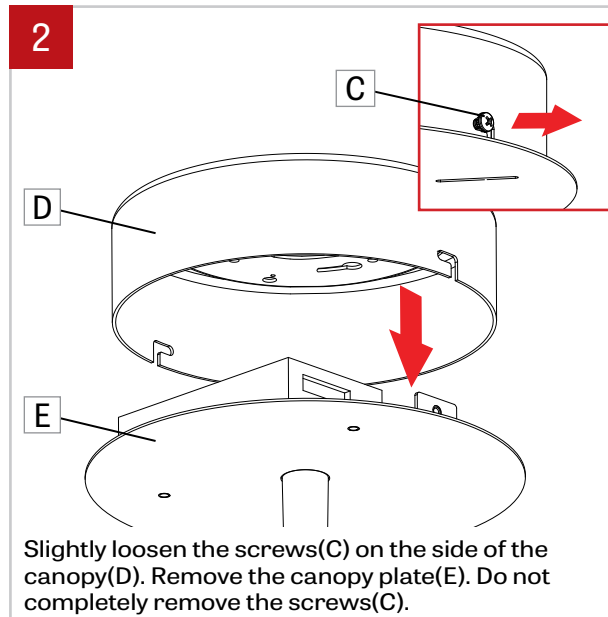
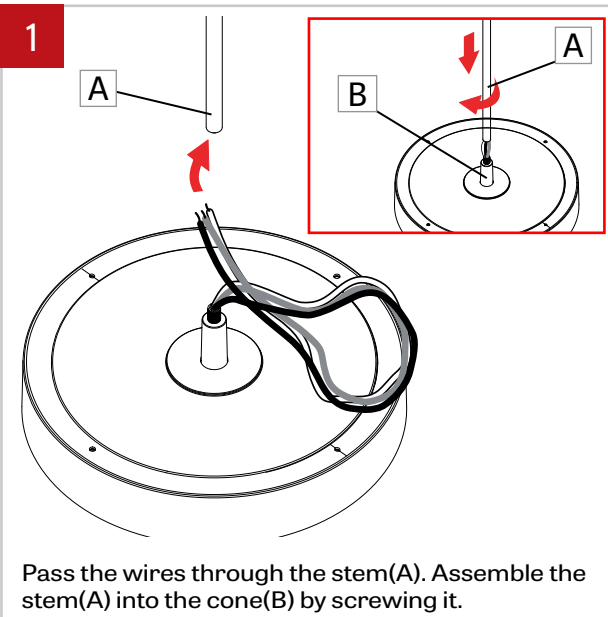


# SHELL ROUND

## PENDANT STEM - CANOPY DRIVER - INST

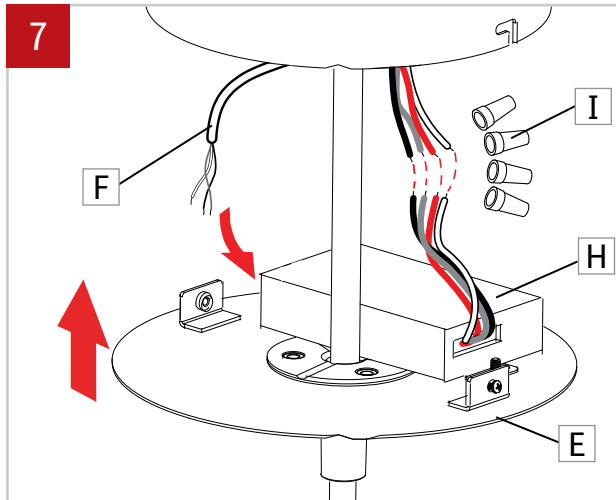
**IMPORTANT :** Installation INST. are shown with SHELL 12" (Do not handle fixture by the wires)

**NOTE:** Wire dimming conductors as Class 1

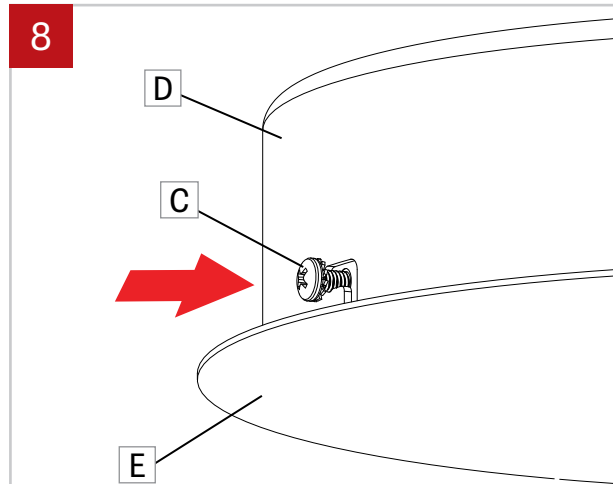


# SHELL ROUND

## PENDANT STEM - CANOPY DRIVER - INST



Make the electrical connection between the fixture and the canopy driver(H) with marettes(I). Connect the driver(H) to main power cable(F). Put the canopy plate(E) back in place.



Secure the canopy plate(E) onto the canopy(D) by tightening the two screws(C) on the sides.