

# SHELL ROUND

RECESSED - REMOTE DRIVER - INST

**IMPORTANT :** Installation INST. are shown with SHELL 12" (Do not handle fixture by the wires)

**NOTE:** Wire dimming conductors as Class 1

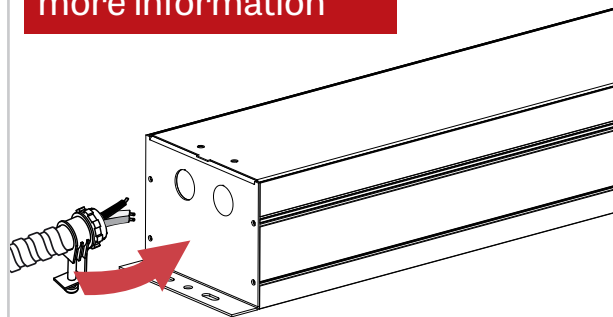


This product must be installed in accordance with the National Electrical Code and all applicable local codes, by a person familiar with the construction and operation of the product, and the hazards involved. Proper grounding is required for safety.

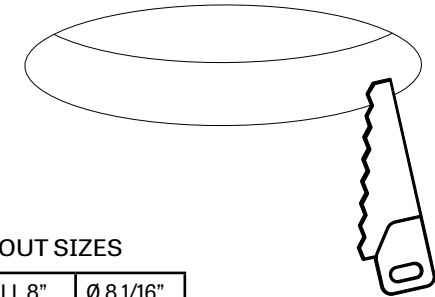
Ce produit doit être installé suivant le code national de l'électricité, ainsi que tous les codes locaux applicables, par une personne familière avec la construction et le fonctionnement du produit, ainsi que tous les risques qui y sont associés. La mise à terre électrique est obligatoire pour la sécurité.

## 1 REMOTE DRIVER BOX

Please refer to the remote driver installation sheet for more information



## 2

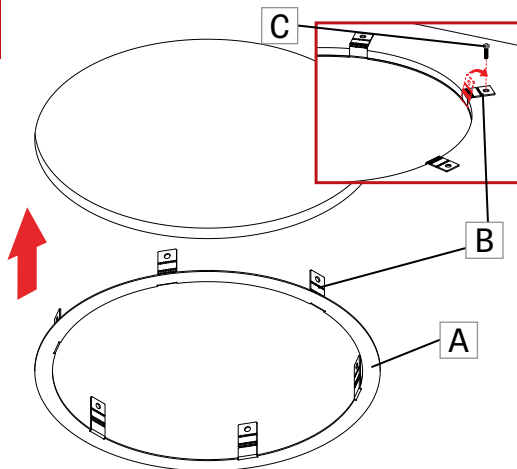


### CUTOUT SIZES

SHELL 8"	Ø 8 1/16"
SHELL 12"	Ø 12 1/16"
SHELL 24"	Ø 24 1/16"

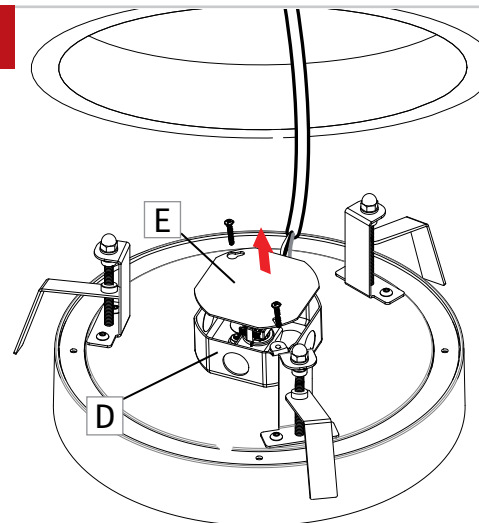
Prepare the area where the fixture is going to be installed. Cut the hole in the drywall ceiling.

## 3



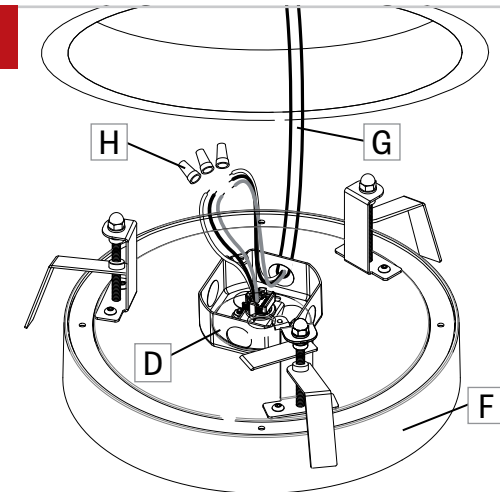
Install the ring (A) into the hole by bending the brackets (B) over the ceiling. Secure bent brackets with screws (C) on ceiling.

## 4



Open junction box (D) by removing junction box cover (E) and screws.

## 5

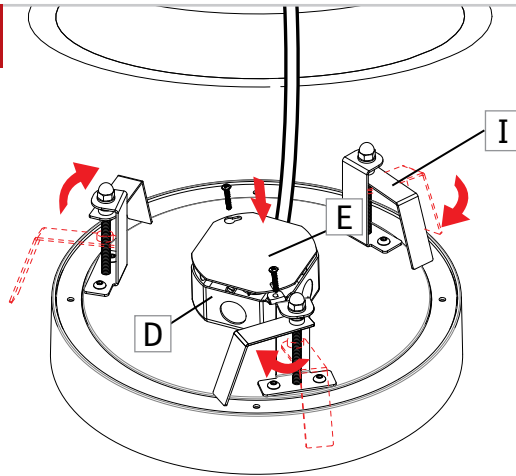


Make the electrical connection between the fixture (F) and power cable (G) from the remote driver with marrettes (H) inside the junction box (D).

# SHELL ROUND

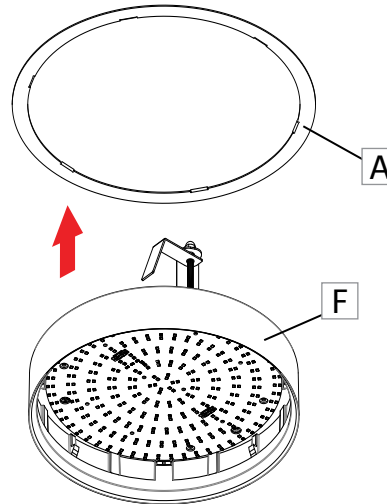
## RECESSED - REMOTE DRIVER - INST

6



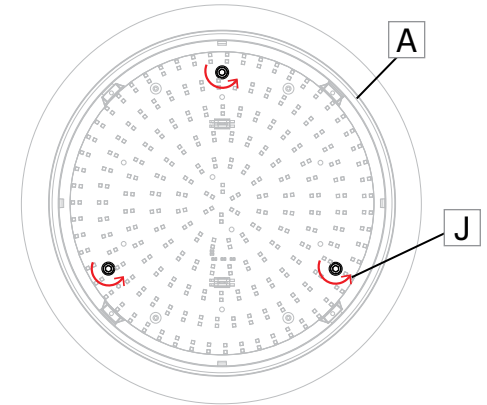
Put back junction box cover (E) on junction box (D) with screws. Rotate the brackets (I) to stay above and inside of the fixture area. **Do not let the fixture hang by the wires.**

7



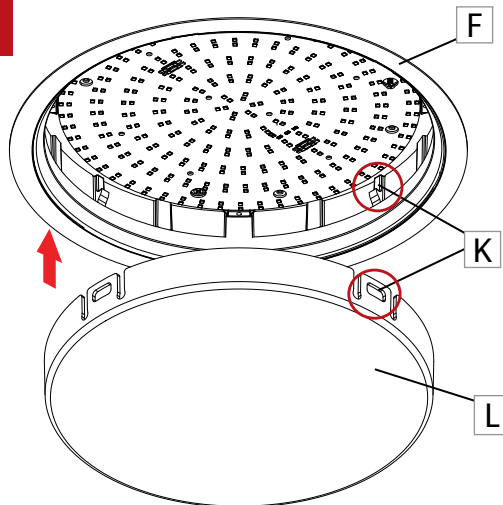
Lift the fixture (F) through the ring (A) and hole in the ceiling.

8



Locate the three rotating screws (J) on the inside of the fixture. Turn the screws until they come into locking position. Align the fixture (A) flush or below the ceiling at the desired height.

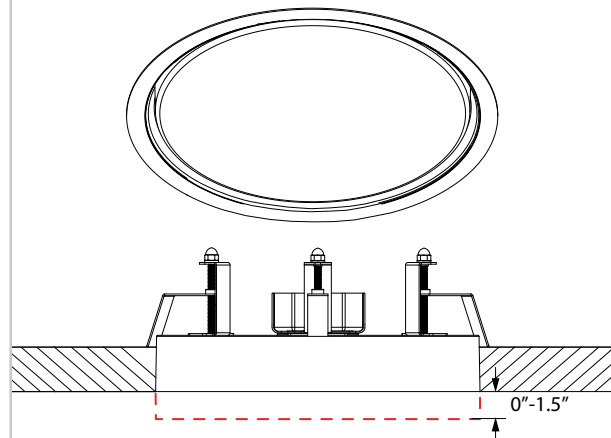
9



Align the snapping features (K) between the fixture (F) and the lens (L). Put the lens (L) in place.

10

### FINAL SECTION VIEW



The fixture can be flush or have a drop up to 1.5" by adjusting the three rotating screws.