

SHELL ROUND

WALL MOUNT - REMOTE DRIVER - INST

IMPORTANT : Installation INST. are shown with SHELL 12" (Do not handle fixture by the wires)

NOTE: Wire dimming conductors as Class 1

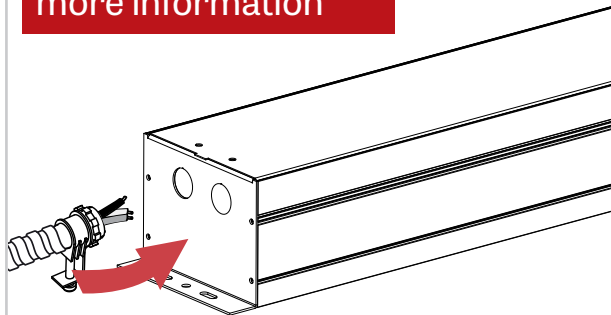


This product must be installed in accordance with the National Electrical Code and all applicable local codes, by a person familiar with the construction and operation of the product, and the hazards involved. Proper grounding is required for safety.

Ce produit doit être installé suivant le code national de l'électricité, ainsi que tous les codes locaux applicables, par une personne familière avec la construction et le fonctionnement du produit, ainsi que tous les risques qui y sont associés. La mise à terre électrique est obligatoire pour la sécurité.

1 REMOTE DRIVER BOX

Please refer to the remote driver installation sheet for more information

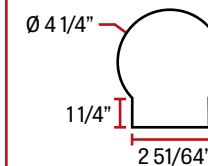


2

CUTOUT SIZES

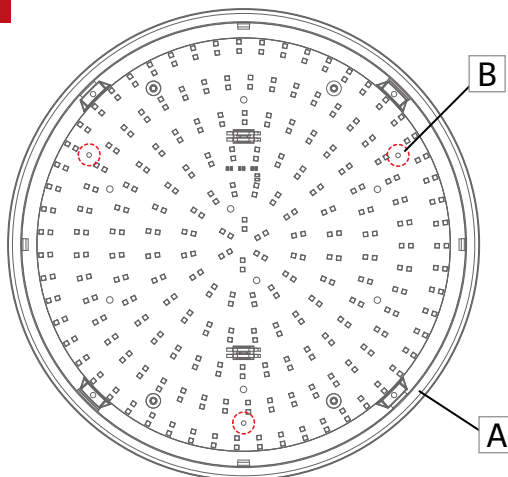
SHELL 12"	Ø 7"
-----------	------

SHELL 8"
CUTOUT DETAIL



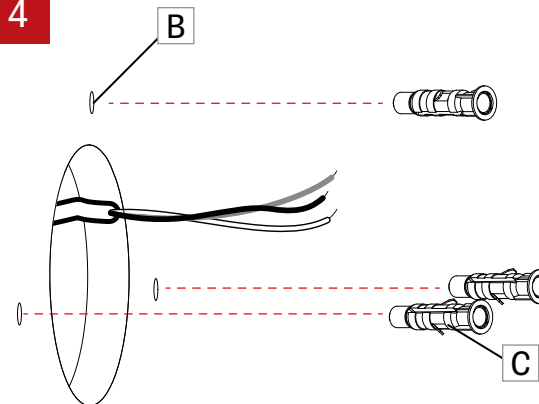
Prepare the area where the fixture is going to be installed. Cut the hole in the drywall.

3



Use the fixture (A) as a model to mark 3 drill holes (B) on the ceiling.

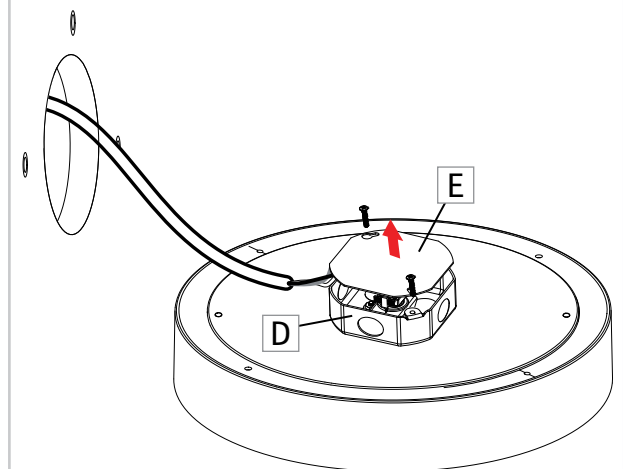
4



Remove the fixture. Drill the holes following the drill holes (B). Install the screw anchors (C). Recommended to have reinforcements at the back of the wall (wood recommended) where holes will be drilled.

5

WITHOUT UP LIGHT GLOW

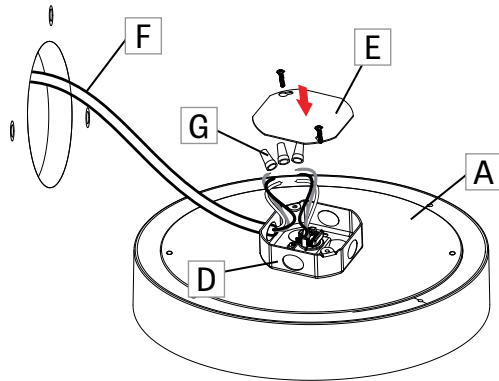


Open junction box (D) by removing junction box cover (E). **Do not let the fixture hang by the wires.**

SHELL ROUND

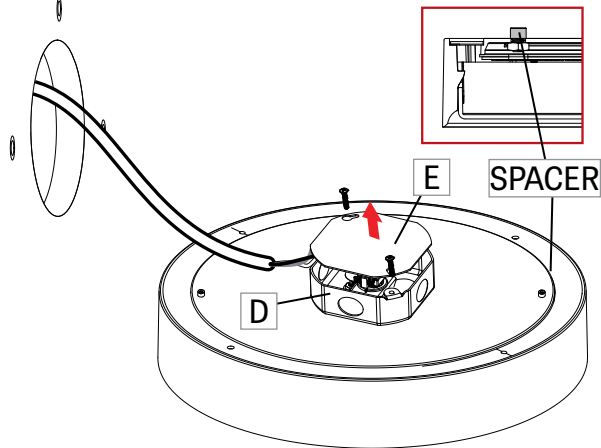
WALL MOUNT - REMOTE DRIVER - INST

6 WITHOUT UP LIGHT GLOW



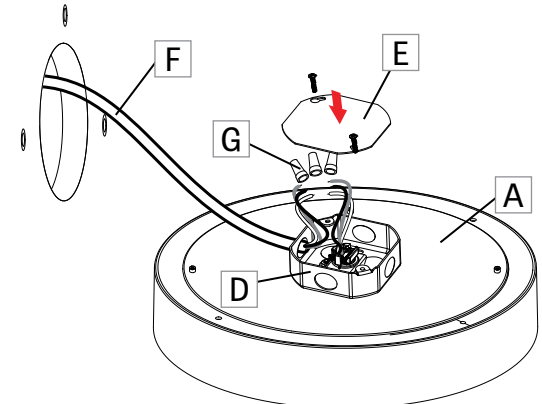
Make the electrical connection between the fixture (A) and building power cable (F) with marrettes (G) inside the junction box (D). Close junction box with junction box cover (E) and screws.

7 WITH UP LIGHT GLOW



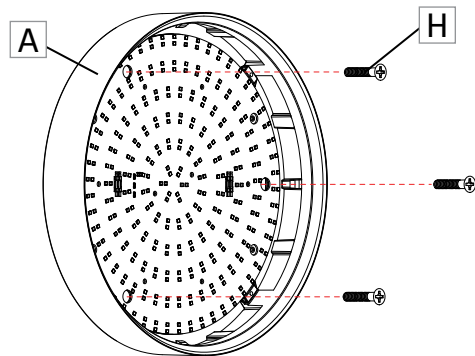
Open junction box (D) by removing junction box cover (E). **Do not let the fixture hang by the wires.**

8 WITH UP LIGHT GLOW



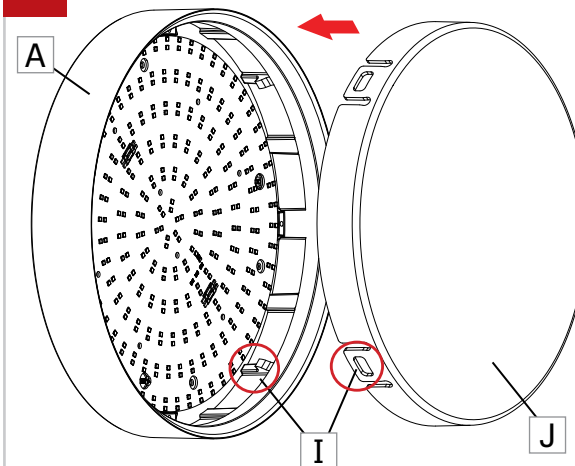
Make the electrical connection between the fixture (A) and building power cable (F) with marrettes (G) inside the junction box (D). Close junction box with junction box cover (E) and screws.

9



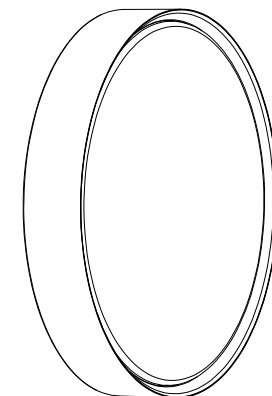
Use the screws (H) to fasten the fixture (A) to the wall.

10



Align the snapping features (I) between the fixture (A) and the lens (J). Put the lens (J) in place.

11 FINAL VIEW



Final result of installation.